



Chipsmall Limited consists of a professional team with an average of over 10 year of expertise in the distribution of electronic components. Based in Hongkong, we have already established firm and mutual-benefit business relationships with customers from,Europe,America and south Asia,supplying obsolete and hard-to-find components to meet their specific needs.

With the principle of “Quality Parts,Customers Priority,Honest Operation,and Considerate Service”,our business mainly focus on the distribution of electronic components. Line cards we deal with include Microchip,ALPS,ROHM,Xilinx,Pulse,ON,Everlight and Freescale. Main products comprise IC,Modules,Potentiometer,IC Socket,Relay,Connector.Our parts cover such applications as commercial,industrial, and automotives areas.

We are looking forward to setting up business relationship with you and hope to provide you with the best service and solution. Let us make a better world for our industry!



Contact us

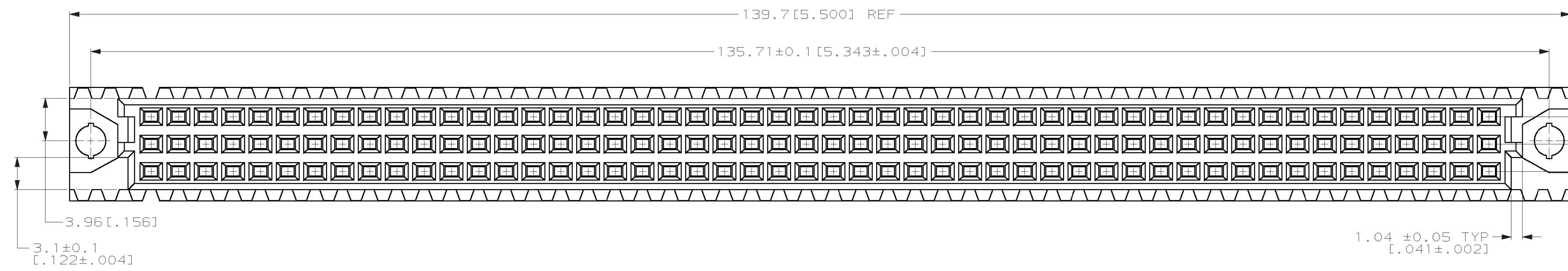
Tel: +86-755-8981 8866 Fax: +86-755-8427 6832

Email & Skype: info@chipsmall.com Web: www.chipsmall.com

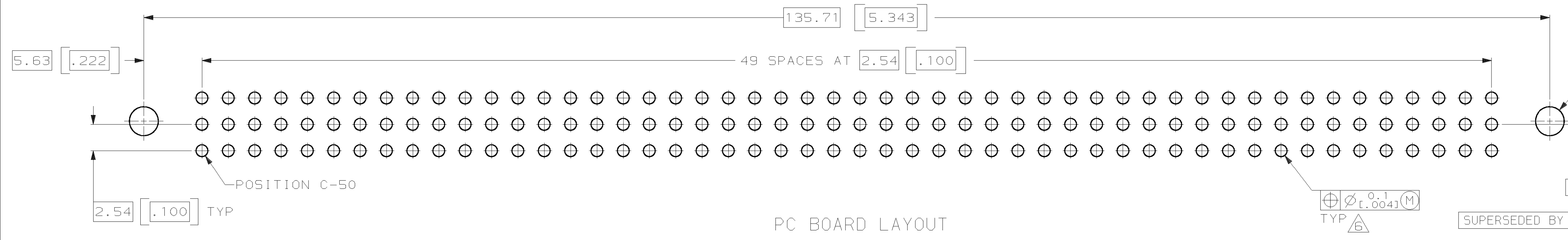
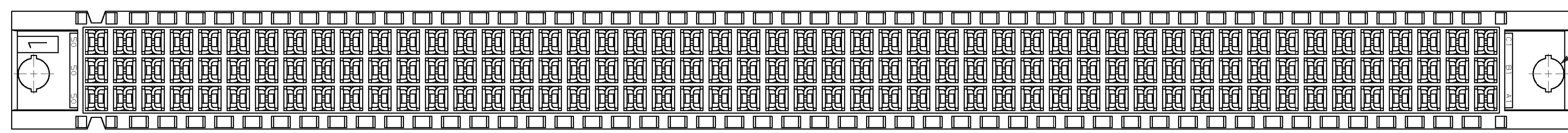
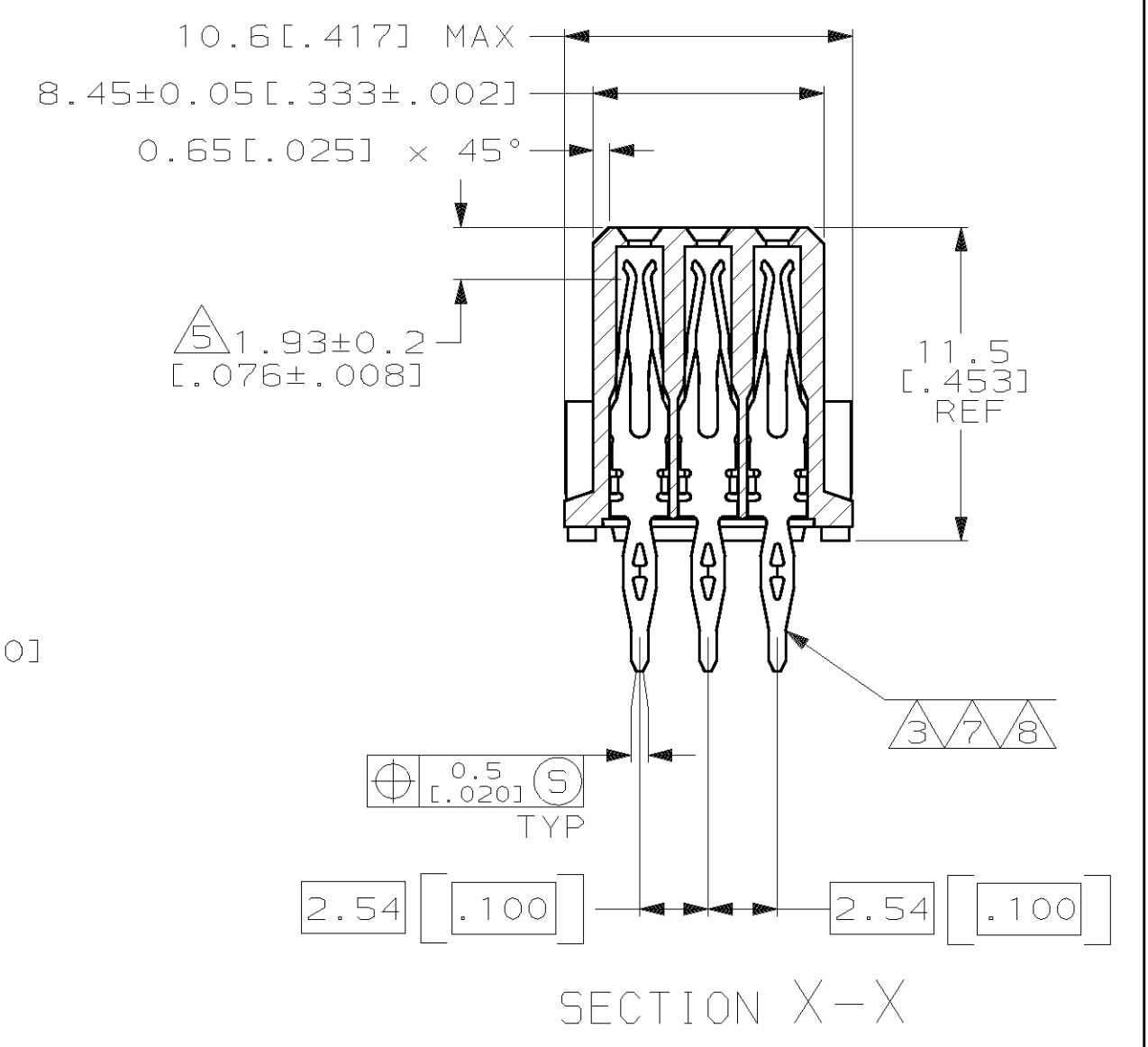
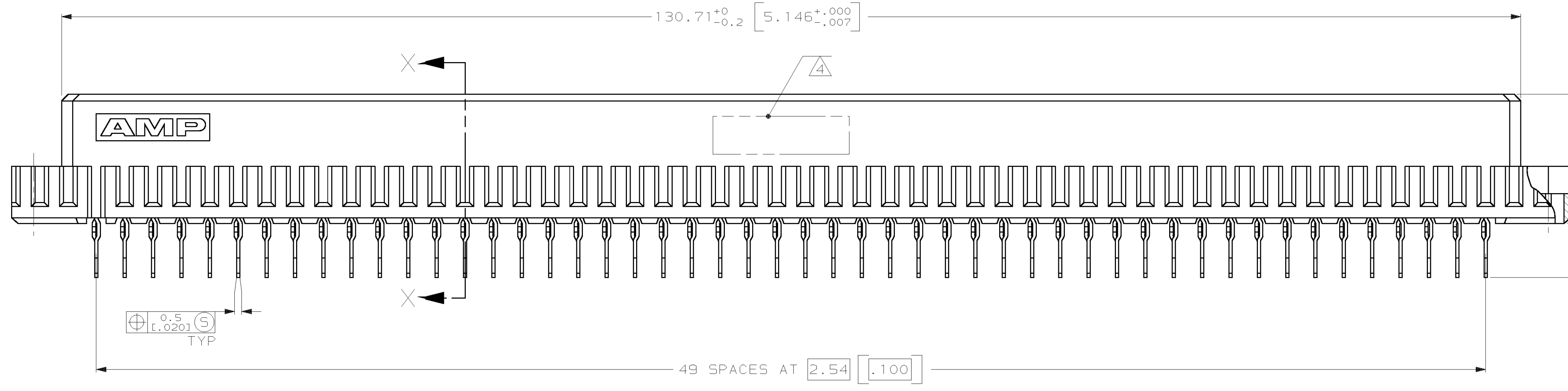
Address: A1208, Overseas Decoration Building, #122 Zhenhua RD., Futian, Shenzhen, China



LOC	DIST	P	F	ZONE	LTR	DESCRIPTION	DATE	APPD
AD	25				H	EC 0010-1434-95	1/18/96	RAP
					J	EC 0010-1486-95	4/1/96	CR
					K	REV PER EC OUTB-0367-00	04 JAN 01	CR



- ① HOUSING MATERIAL: GLASS-FILLED POLYESTER. COLOR: GRAY.
- ② CONTACT MATERIAL: PHOSPHOR BRONZE.
- ③ CONTACT FINISH: 0.00076 [0.00030] GOLD IN CONTACT AREA. 0.00127 [0.00050] NICKEL UNDERPLATE ALL OVER. TIN-LEAD ON POSTS.
- ④ PART NUMBER, DATE CODE IDENTIFICATION, CSA LOGO IN THIS APPROXIMATE AREA.
- ⑤ POINT OF MEASUREMENT FOR GOLD.
- ⑥ ACTION PIN POSTS REQUIRE 1.57 [0.062] MIN THICK PC BOARD. RECOMMENDED PC BOARD HOLES ARE Ø1.151 ± 0.02 [0.0453 ± .001] DRILLED HOLE WITH 0.02-0.07 [0.001-.003] COPPER AND 0.008 [0.0003] MIN TIN-LEAD PLATING. FINISHED HOLE AFTER PLATING, Ø0.94-1.09 [0.037-.043].
- ⑦ CONTACT FINISH: DIN 41612 CLASS 3 IN CONTACT AREA. 0.00127 [0.00050] NICKEL UNDERPLATE ALL OVER. TIN-LEAD ON TAILS.
- ⑧ CONTACT FINISH: DIN 41612 CLASS 2 IN CONTACT AREA. 0.00127 [0.00050] NICKEL UNDERPLATE ALL OVER. TIN-LEAD ON TAILS.



NOTES	POSITIONS LOADED	ROWS LOADED			NO. OF LOADED POSITION	ASSY PART NUMBER	
		C	B	A			
OBSELETE	⑦	1 THRU 50	X	X	X	150	535080-9
SUPERSEDED BY 535080-5	⑧	1 THRU 50	X	X	X	150	535080-5
	③	1 THRU 50	X	X	X	150	535080-4

DO NOT SCALE PRINT. UNLESS SPECIFIED DIMENSIONS IN mm [INCHES] TOLERANCES ON: 1 PLC DEC ± - 2 PLC DEC ± 0.13 [.005] ANGLES ± -	DR L. BRINER 2/16/89 CHK R.L. BRANDT 7/13/94 APPD R.L. BRANDT 7/13/94 APPD R.L. BRANDT 7/13/94	AMP INCORPORATED Harrisburg, Pa. 17105			
HSG ① CONT ②	NAME EUROCARD, RECEPTACLE ASSEMBLY, TYPE "C", TOOLLESS PRESSFIT	SIZE D	CAGE CODE 00779	DRAWING NO 535080	SHEET 1 OF 1
FINISH CONT ③⑦⑧	APPLICATION SPEC - WEIGHT -	SCALE 4:1			