



Chipsmall Limited consists of a professional team with an average of over 10 year of expertise in the distribution of electronic components. Based in Hongkong, we have already established firm and mutual-benefit business relationships with customers from,Europe,America and south Asia,supplying obsolete and hard-to-find components to meet their specific needs.

With the principle of "Quality Parts,Customers Priority,Honest Operation,and Considerate Service",our business mainly focus on the distribution of electronic components. Line cards we deal with include Microchip,ALPS,ROHM,Xilinx,Pulse,ON,Everlight and Freescale. Main products comprise IC,Modules,Potentiometer,IC Socket,Relay,Connector.Our parts cover such applications as commercial,industrial, and automotives areas.

We are looking forward to setting up business relationship with you and hope to provide you with the best service and solution. Let us make a better world for our industry!



Contact us

Tel: +86-755-8981 8866 Fax: +86-755-8427 6832

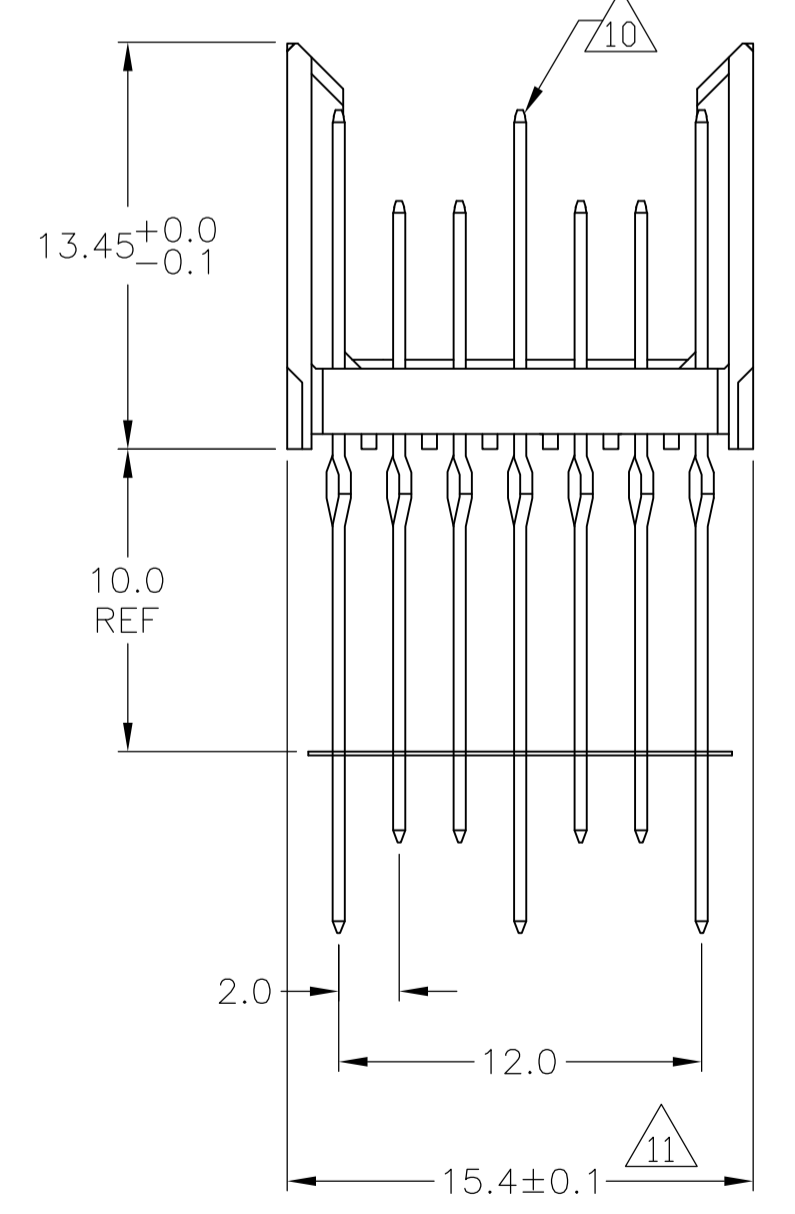
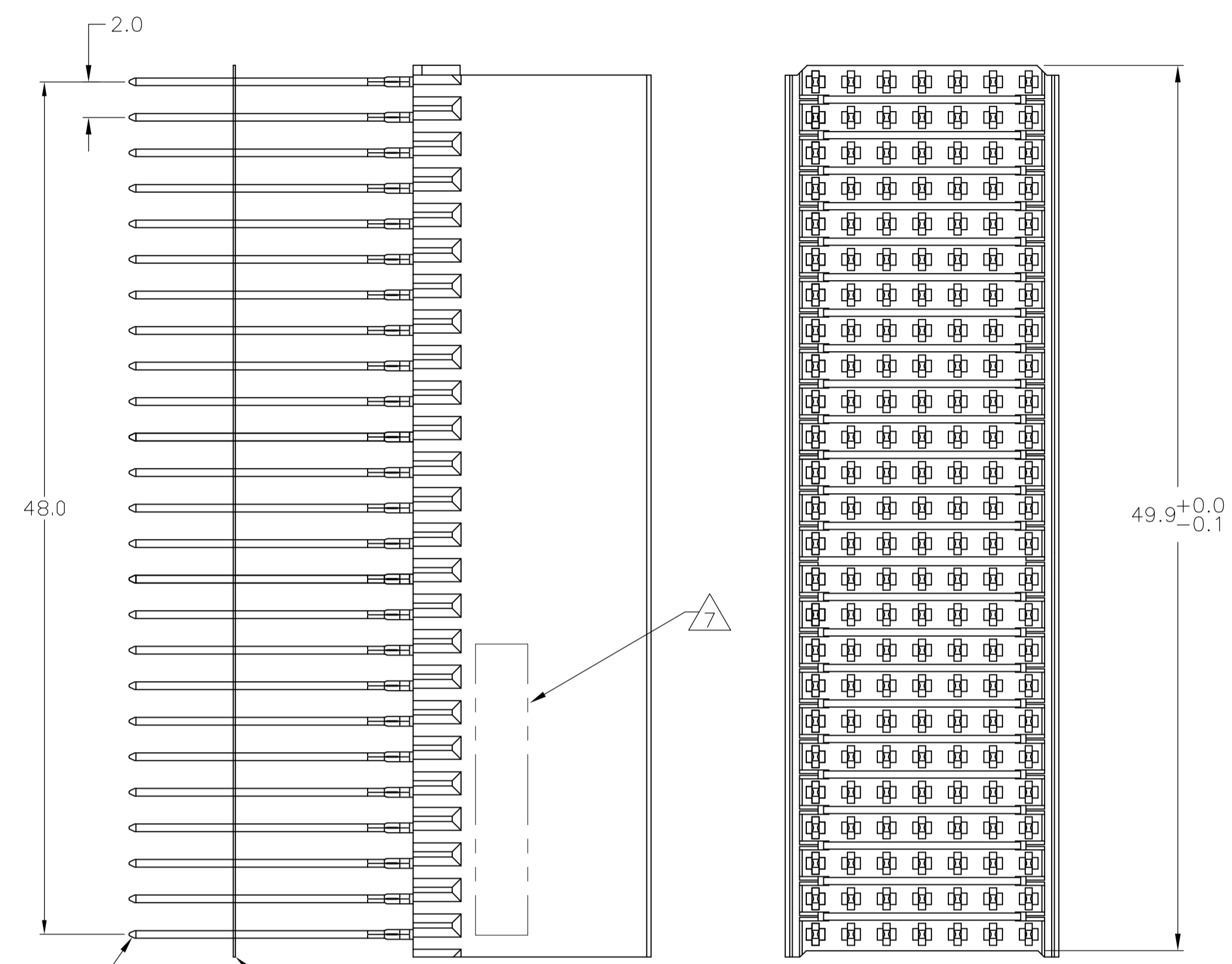
Email & Skype: info@chipsmall.com Web: www.chipsmall.com

Address: A1208, Overseas Decoration Building, #122 Zhenhua RD., Futian, Shenzhen, China



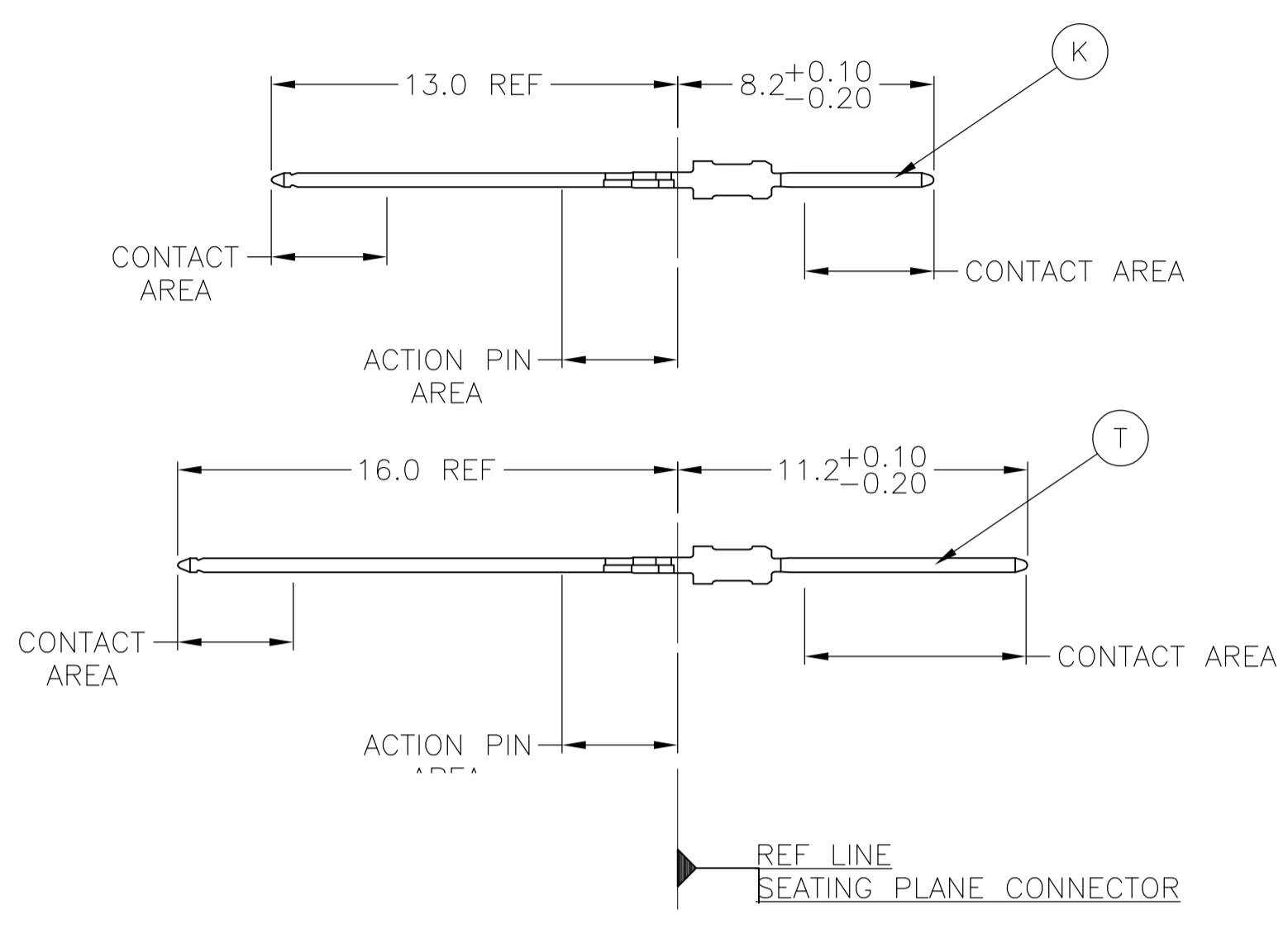
LOC		DIST		REVISIONS					
AD	00	REV	PER	EC	DATE	BY	CHK		
		0	REV	PER	EC	0512-0318-04	26AUG05	BC	GS
		A	ECR	-10-019054			15SEP10	DP	MQW

CONNECTOR ASSEMBLY EXAMPLARY LOADED



CONTACT DIMENSIONS

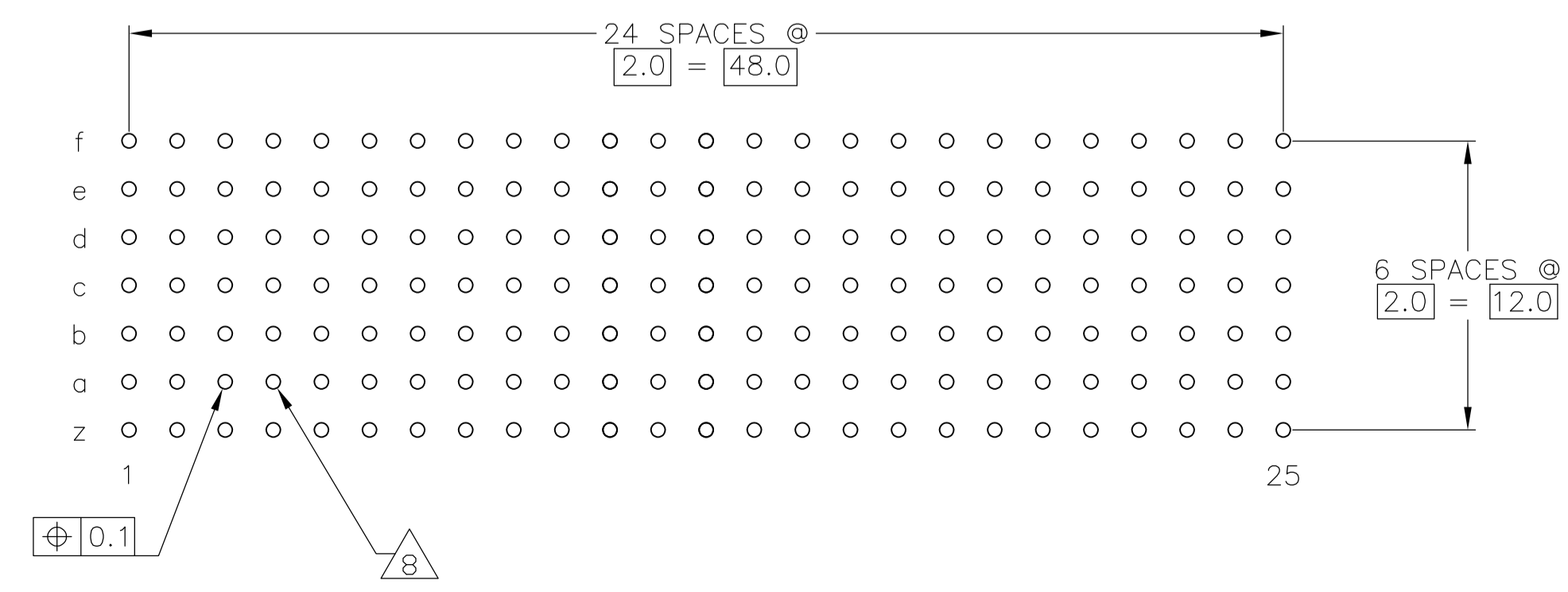
SCALE 5:1



CONTACT LAYOUT

	z	a	b	c	d	e	f
1	T	K	K	T	K	K	T
2	T	K	K	T	K	K	T
3	T	K	K	T	K	K	T
4	T	K	K	T	K	K	T
5	T	K	K	T	K	K	T
6	T	K	K	T	K	K	T
7	T	K	K	T	K	K	T
8	T	K	K	T	K	K	T
9	T	K	K	T	K	K	T
10	T	K	K	T	K	K	T
11	T	K	K	T	K	K	T
12	T	K	K	T	K	K	T
13	T	K	K	T	K	K	T
14	T	K	K	T	K	K	T
15	T	K	K	T	K	K	T
16	T	K	K	T	K	K	T
17	T	K	K	T	K	K	T
18	T	K	K	T	K	K	T
19	T	K	K	T	K	K	T
20	T	K	K	T	K	K	T
21	T	K	K	T	K	K	T
22	T	K	K	T	K	K	T
23	T	K	K	T	K	K	T
24	T	K	K	T	K	K	T
25	T	K	K	T	K	K	T

RECOMMENDED PCB-HOLE LAYOUT COMPONENT SIDE SHOWN



PLATED THRU HOLES PARAMETERS

REFERENCE APPLICATION SPECIFICATION


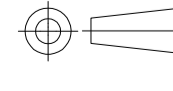
2 6 12	1-5352001-9
2 5 12	5352001-9
2 4 4	5352001-4
2 3 3	5352001-1
FINISH	PART NUMBER

THIS DRAWING IS A CONTROLLED DOCUMENT.

DIMENSIONS: mm	TOLERANCES UNLESS OTHERWISE SPECIFIED: ±0.2	DIN B CARBO 26AUG05	26AUG05	Tyco Electronics Corporation Harrisburg, Pa 17105-3608
0-PLC ±	1-PLC ±0.2	CHK G SKIPPER	26AUG05	NAME Tyco Electronics
2-PLC ±	3-PLC ±	APVD G SKIPPER	26AUG05	PRODUCT SPEC
4-PLC ±	ANGLES ±	108-19082		MALE ASSEMBLY, Z-PACK 2mm HM, TYPE B
MATERIAL 1	FINISH SEE TABLE	APPLICATION SPEC 114-19029	SIZE A1	CAGE CODE 00779
		WEIGHT	DRAWING NO C=5352001	RESTRICTED TO
		CUSTOMER DRAWING	SCALE 4:1	SHEET 1 OF 2

LOC	DIST	REVISIONS					
AD	00	P	LTR	DESCRIPTION	DATE	DWN	APVD
		-		SEE SHEET 1	-	-	-

- 1 MATERIAL:
CONTACT: PHOSPHOR BRONZE.
HOUSING: GLASS-FILLED POLYESTER.
- 2 GENERAL PLATING SPECIFICATION: UNDERPLATING
(ENTIRE CONTACT): 1.27µm MIN NICKEL AND ACTION
PIN: 0.5µm MIN TIN.
FOR PLATING OF MATING SURFACES SEE APPLICABLE
SPECIFICATION REFERENCE FOR EACH DASH NUMBER.
- 3 CONFORMS TO ALL TESTING ACCORDING TO IEC 61076-4-101
PERFORMANCE LEVEL 2.
- 4 CONFORMS TO ALL TESTING ACCORDING TO IEC 61076-4-101
PERFORMANCE LEVEL 1.
- 5 CONNECTOR TESTED AND QUALIFIED AGAINST TELCORDIA GR-1217-CORE QUALITY LEVEL 3,
CENTRAL OFFICE APPLICATIONS.
- 6 CONNECTOR TESTED AND QUALIFIED AGAINST TELCORDIA GR-1217-CORE QUALITY LEVEL 3,
UNCONTROLLED ENVIROMENT APPLICATIONS.
- 7 CONNECTOR MARKED WITH PART NUMBER AND DATE CODE.
ADDITIONAL CHARACTERS OR MARKINGS, AS WELL AS THE LOCATION OF THE MARKINGS,
MAY BE ADDED FOR TRACEABILITY BASED UPON MANUFACTURERS DISCRETION.
- 8 PLATED-THROUGH HOLES AT 2x2mm SQUARE GRID
PATTERN DEFINED BY CONTACT LAYOUT.
- 9 FOR ACTUAL PIN LOADING SEE "CONTACT LAYOUT".
- 10 FOR ACTUAL PIN DIMENSIONS SEE "CONTACT DIMENSIONS".
- 11 TO BE MEASURED AT BOTTOM OF SHROUD.
- 12 CONNECTOR LUBRICATED WITH BELCORE APPROVED LUBRICANT,
TECHNICAL REFERENCE: TR-NWT-001217 ISSUE 1, SEP 1992.

THIS DRAWING IS A CONTROLLED DOCUMENT.		DIN E CARBO	26AUG05	 Tyco Electronics Corporation Harrisburg, Pa 17105-3608
		CIK G SKIPPER	26AUG05	
DIMENSIONS: mm		TOLERANCES UNLESS OTHERWISE SPECIFIED: 0-PLC ± 1-PLC ± 0.1 2-PLC ± 3-PLC ± 4-PLC ± ANGLES ±		APVD G SKIPPER PRODUCT SPEC NAME MALE ASSEMBLY, Z-PACK 2mm HM, TYPE B
		APPLICATION SPEC 108-19082 114-19029		SIZE A1
MATERIAL SEE SHEET 1	FINISH SEE SHEET 1	WEIGHT -	CAGE CODE 00779	DRAWING NO 5352001
CUSTOMER DRAWING			SCALE 4:1	RESTRICTED TO SHEET 2 OF 2 REV A