



Chipsmall Limited consists of a professional team with an average of over 10 year of expertise in the distribution of electronic components. Based in Hongkong, we have already established firm and mutual-benefit business relationships with customers from,Europe,America and south Asia,supplying obsolete and hard-to-find components to meet their specific needs.

With the principle of “Quality Parts,Customers Priority,Honest Operation,and Considerate Service”,our business mainly focus on the distribution of electronic components. Line cards we deal with include Microchip,ALPS,ROHM,Xilinx,Pulse,ON,Everlight and Freescale. Main products comprise IC,Modules,Potentiometer,IC Socket,Relay,Connector.Our parts cover such applications as commercial,industrial, and automotives areas.

We are looking forward to setting up business relationship with you and hope to provide you with the best service and solution. Let us make a better world for our industry!



## Contact us

Tel: +86-755-8981 8866 Fax: +86-755-8427 6832

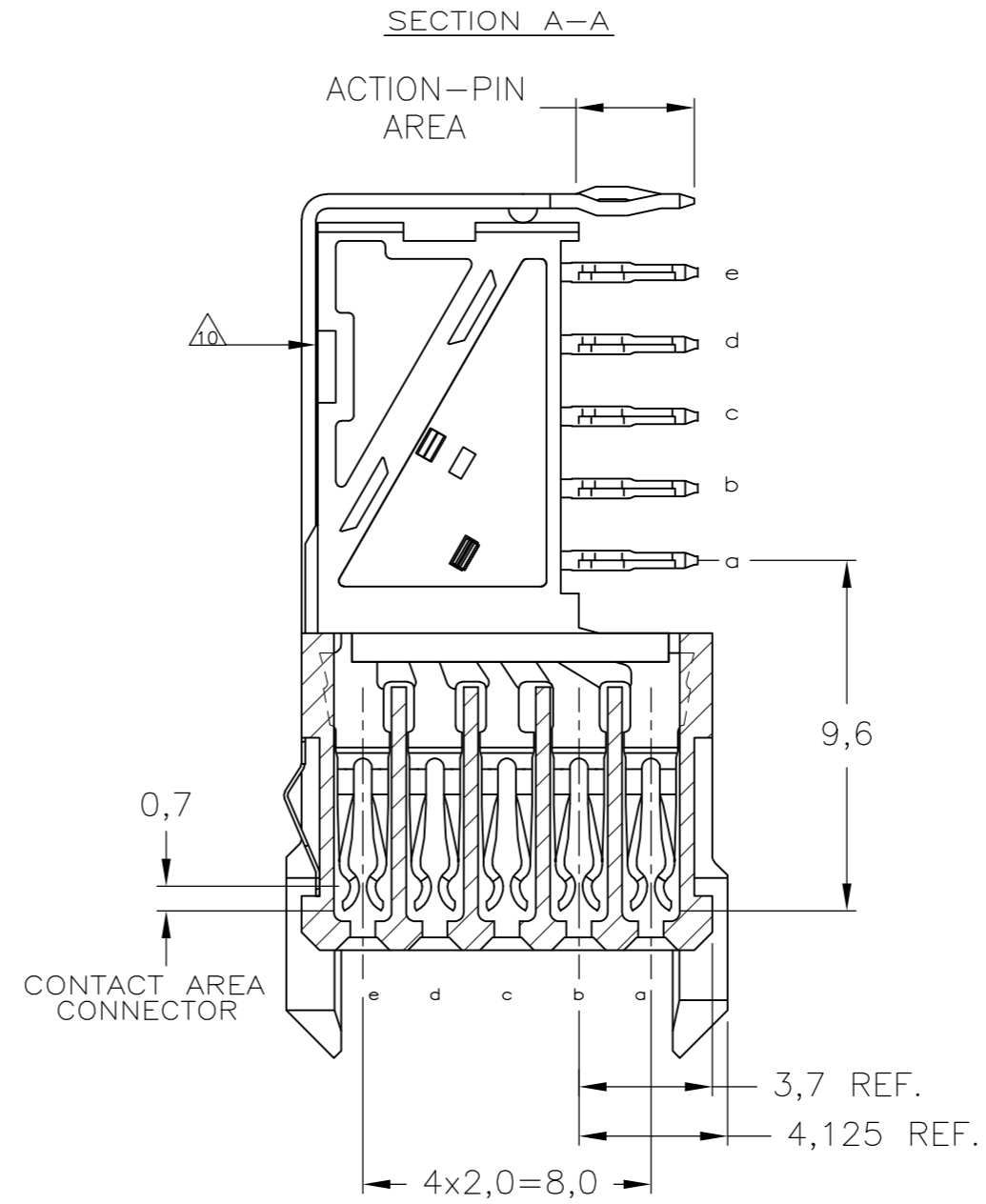
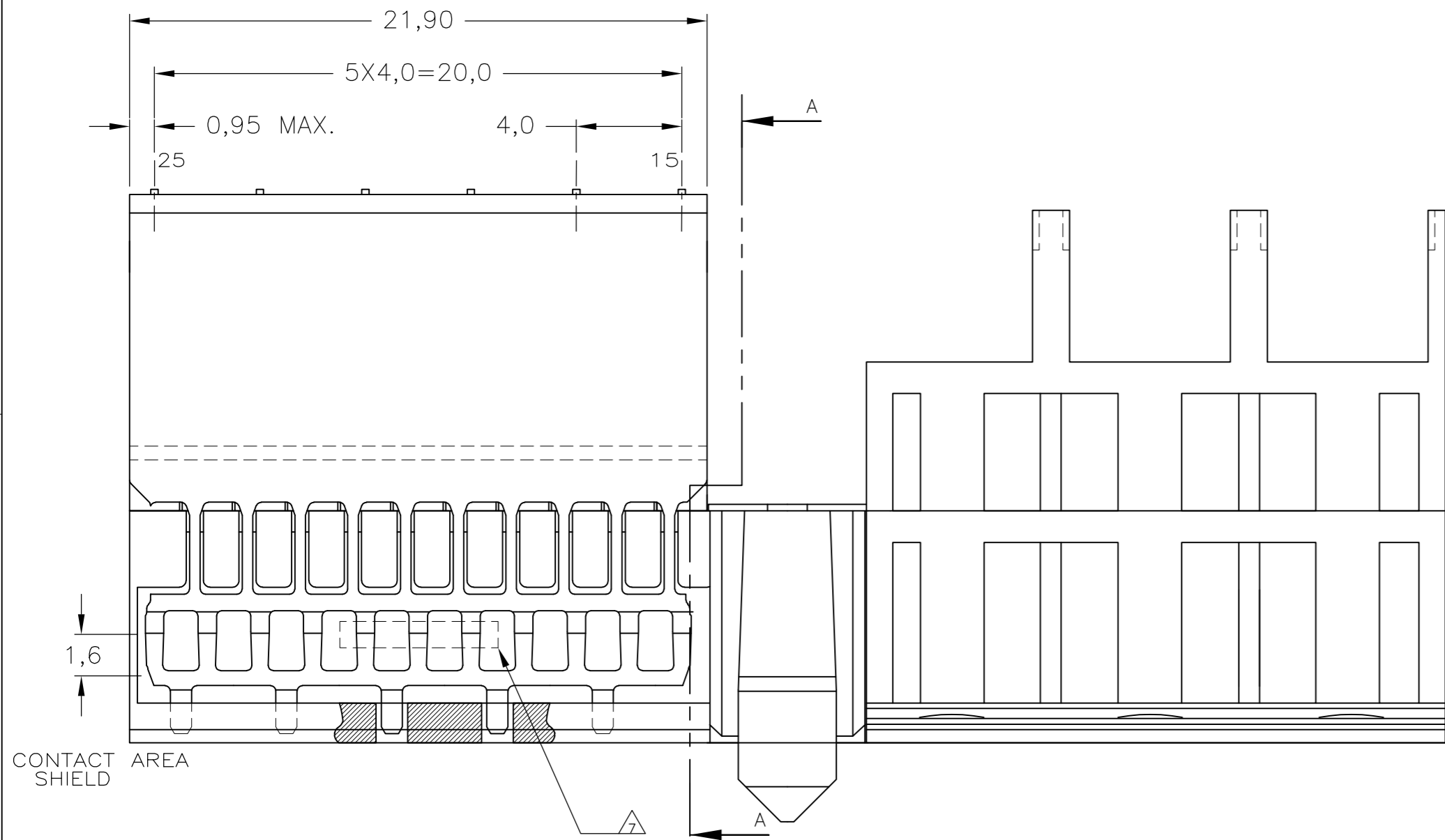
Email & Skype: [info@chipsmall.com](mailto:info@chipsmall.com) Web: [www.chipsmall.com](http://www.chipsmall.com)

Address: A1208, Overseas Decoration Building, #122 Zhenhua RD., Futian, Shenzhen, China

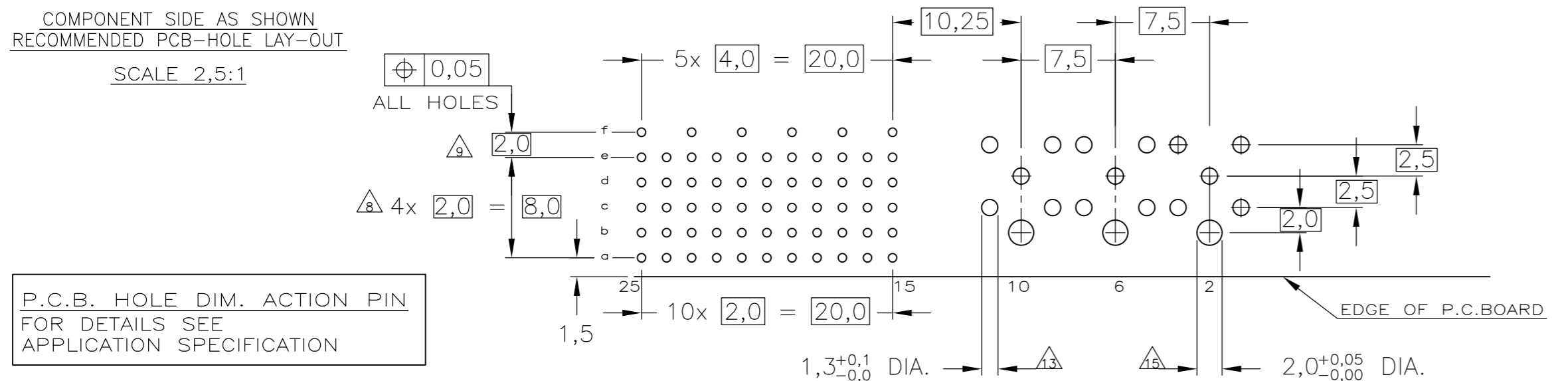
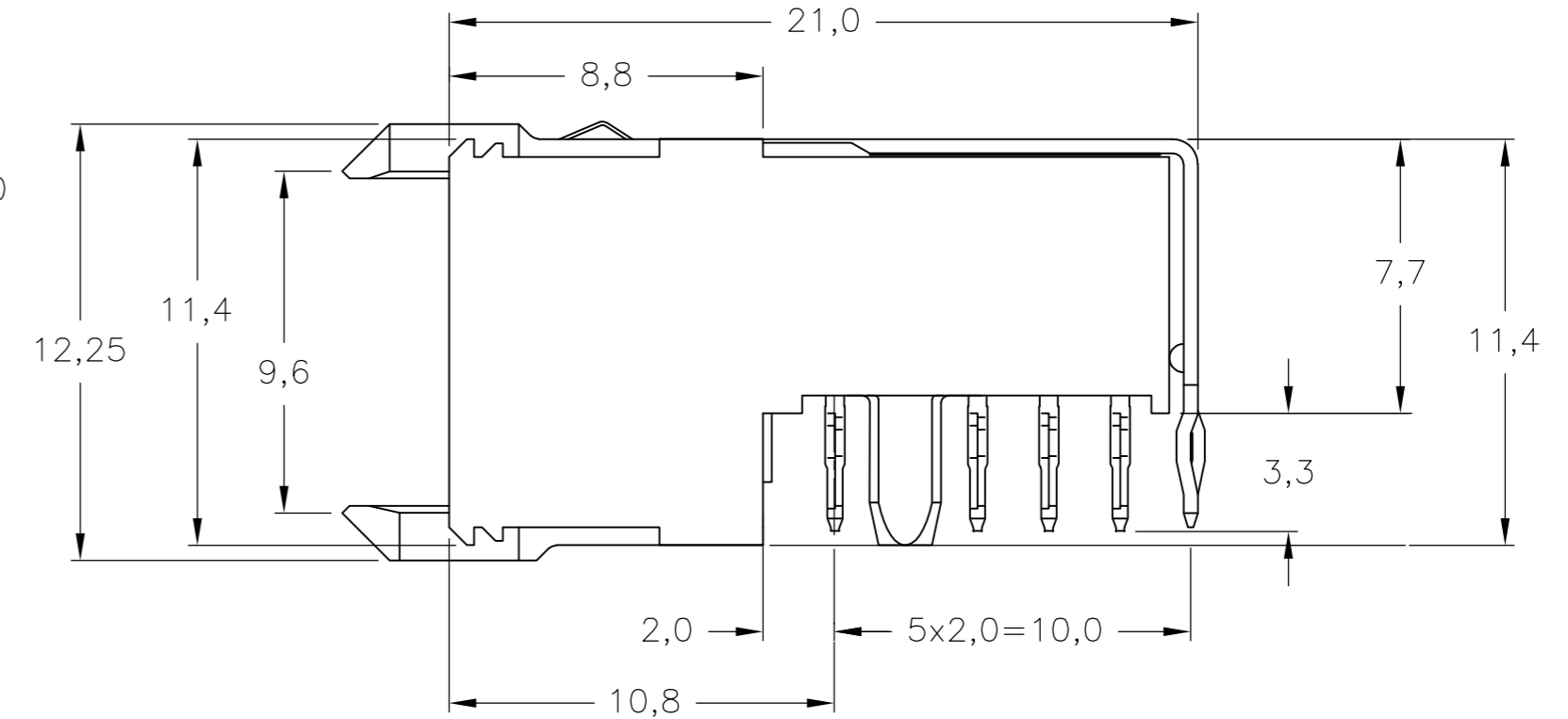
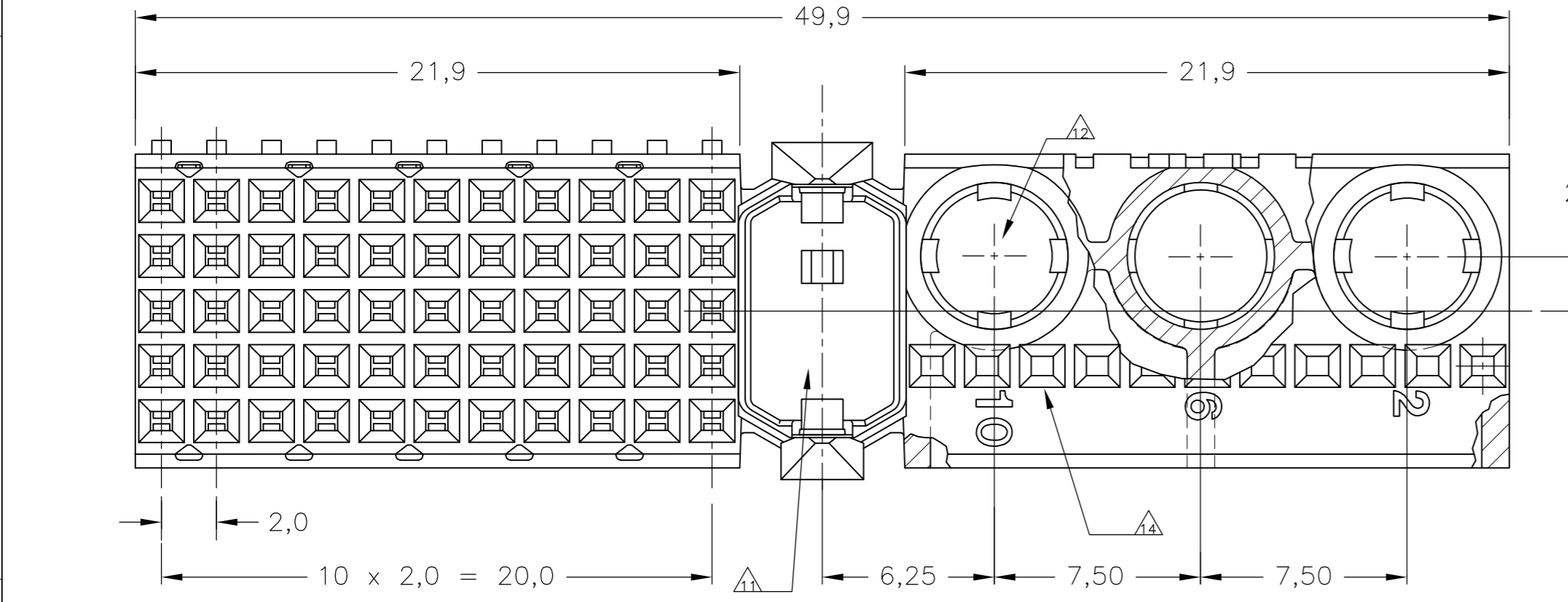


THIS DRAWING IS UNPUBLISHED. RELEASED FOR PUBLICATION  
 © COPYRIGHT BY TYCO ELECTRONICS CORPORATION. ALL RIGHTS RESERVED.

LOC		DIST		REVISIONS			
P	LTR	DESCRIPTION	DATE	DWN	APVD		
	B2	ECR-07-030919	21DEC2007	JvH	BM		
	C	ECR-10-018652	10SEP10	SW	MQW		



- NOTES:**
- 1 MATERIAL CONTACTS ; PHOSPHORBRONZE  
MATERIAL SHIELDING ; PHOSPHORBRONZE  
MATERIAL HOUSING ; GLASSFILLED POLYESTER (GRAY)  
UL-RATING 94V0.
  - 2 GENERAL PLATING SPECIFICATION: UNDERPLATING  
(ENTIRE CONTACT): 1,27µm NICKEL MIN. AND ACTION  
PIN: 0,5µm TIN MIN.  
FOR PLATING OF MATING SURFACES SEE APPLICABLE  
SPECIFICATION REFERENCE FOR EACH DASH NUMBER.
  - 3 CONFORMS TO ALL TESTING ACCORDING IEC 61076-4-101  
PERFORMANCE LEVEL 2.
  - 4 CONNECTOR TESTED AND QUALIFIED AGAINST TELCORDIA GR-1217-CORE  
QUALITY LEVEL III, CENTRAL OFFICE APPLICATIONS.
  - 5 CONNECTOR LUBRICATED WITH TELCORDIA GR-1217-CORE APPROVED LUBRICANT.
  - 6 PLATING SHIELD :  
CONTACT AREA : 0,76µm Au MIN.  
ACTION PIN : 0,5µm Sn MIN.  
REMAINDER : Ni
  - 7 ASSEMBLY PRINTED WITH P/N AND DATE CODE  
THE MARKING CAN APPEAR ON THE FRONT SIDE  
OR BACK SIDE
  - 8 HOLE PATTERN FOR FEMALE CONNECTOR TYPE M  
55 PLATED-THROUGH HOLES AT 2x2mm SQUARE GRID  
ROW "f" 6 PLATED THROUGH HOLES FOR UPPERSHIELD
  - 9 SHIELD MOUNTED ON CONNECTOR WITH DOUBLE SIDED  
ADHESIVE TAPE OR ADHESIVE
  - 10 AREA RESERVED FOR KEYING PART (BASIC P.N. 100526)
  - 11 CONTACT CAVITIES (3x) SUITABLE FOR 4,8 DIA. HIGH CURRENT,  
HIGH FREQUENCY OR FIBRE OPTIC CONTACTS AS PER DIN 41626  
(SEE ALSO NOTE 13).
  - 12 1,3 DIA. PLATED-THROUGH HOLES (15x) CAN BE OMITTED  
IF SPECIAL CONTACTS WITH CABLE CONNECTION OR FIBRE  
OPTIC CONTACTS ARE USED.
  - 13 THIS ROW OF 11 CAVITIES (B1 TO B11) FOR  
CONNECTOR ASSEMBLY PURPOSE ONLY.
  - 14 NOT PLATED-THROUGH HOLES (3x).
  - 15 FITS WITH LOWERSHIELD BASIC P/N 5352112



FINISH	MATERIAL	PARTNUMBER
2, 4, 5, 6	△	5352177-9
2, 3, 6	△	5352177-1

THIS DRAWING IS A CONTROLLED DOCUMENT.

DWN	K.N.KIRAN	20AUG2004
CHK	B.MOOIJ	27OCT2004
APVD	B.MOOIJ	27OCT2004
PRODUCT SPEC	108-19082	
APPLICATION SPEC	114-19029	
WEIGHT	-	
CUSTOMER DRAWING		

Tyco Electronics Corporation 's-Hertogenbosch, 5222AR-32		
Z-PACK 2mm HM TYPE M (55 POS.) PRE-SHIELDED RECEPTACLE		
NAME	SIZE	CAGE CODE
A2	00779	C=5352177
DRAWING NO	SCALE	SHEET
	5:1	1 OF 1
RESTRICTED TO	REV	
	C	