



Chipsmall Limited consists of a professional team with an average of over 10 year of expertise in the distribution of electronic components. Based in Hongkong, we have already established firm and mutual-benefit business relationships with customers from,Europe,America and south Asia,supplying obsolete and hard-to-find components to meet their specific needs.

With the principle of “Quality Parts,Customers Priority,Honest Operation,and Considerate Service”,our business mainly focus on the distribution of electronic components. Line cards we deal with include Microchip,ALPS,ROHM,Xilinx,Pulse,ON,Everlight and Freescale. Main products comprise IC,Modules,Potentiometer,IC Socket,Relay,Connector.Our parts cover such applications as commercial,industrial, and automotives areas.

We are looking forward to setting up business relationship with you and hope to provide you with the best service and solution. Let us make a better world for our industry!



## Contact us

Tel: +86-755-8981 8866 Fax: +86-755-8427 6832

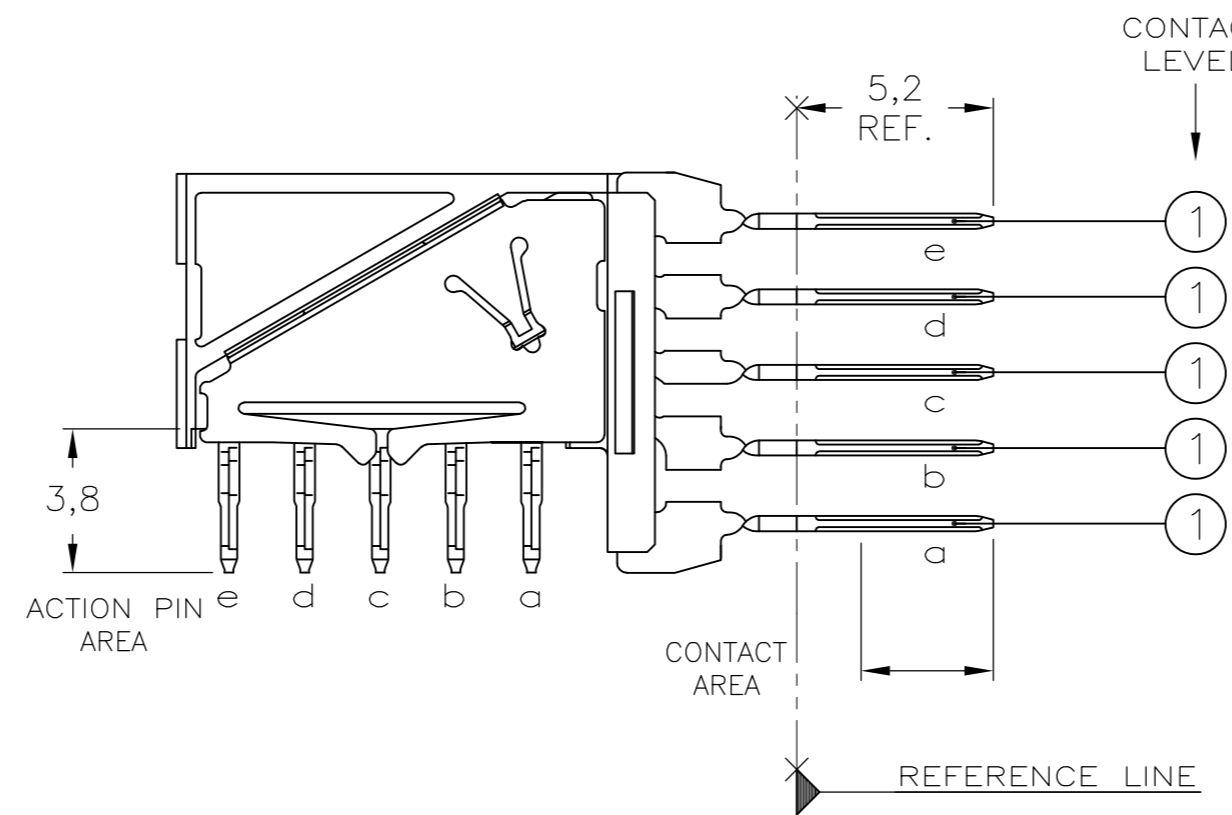
Email & Skype: info@chipsmall.com Web: www.chipsmall.com

Address: A1208, Overseas Decoration Building, #122 Zhenhua RD., Futian, Shenzhen, China

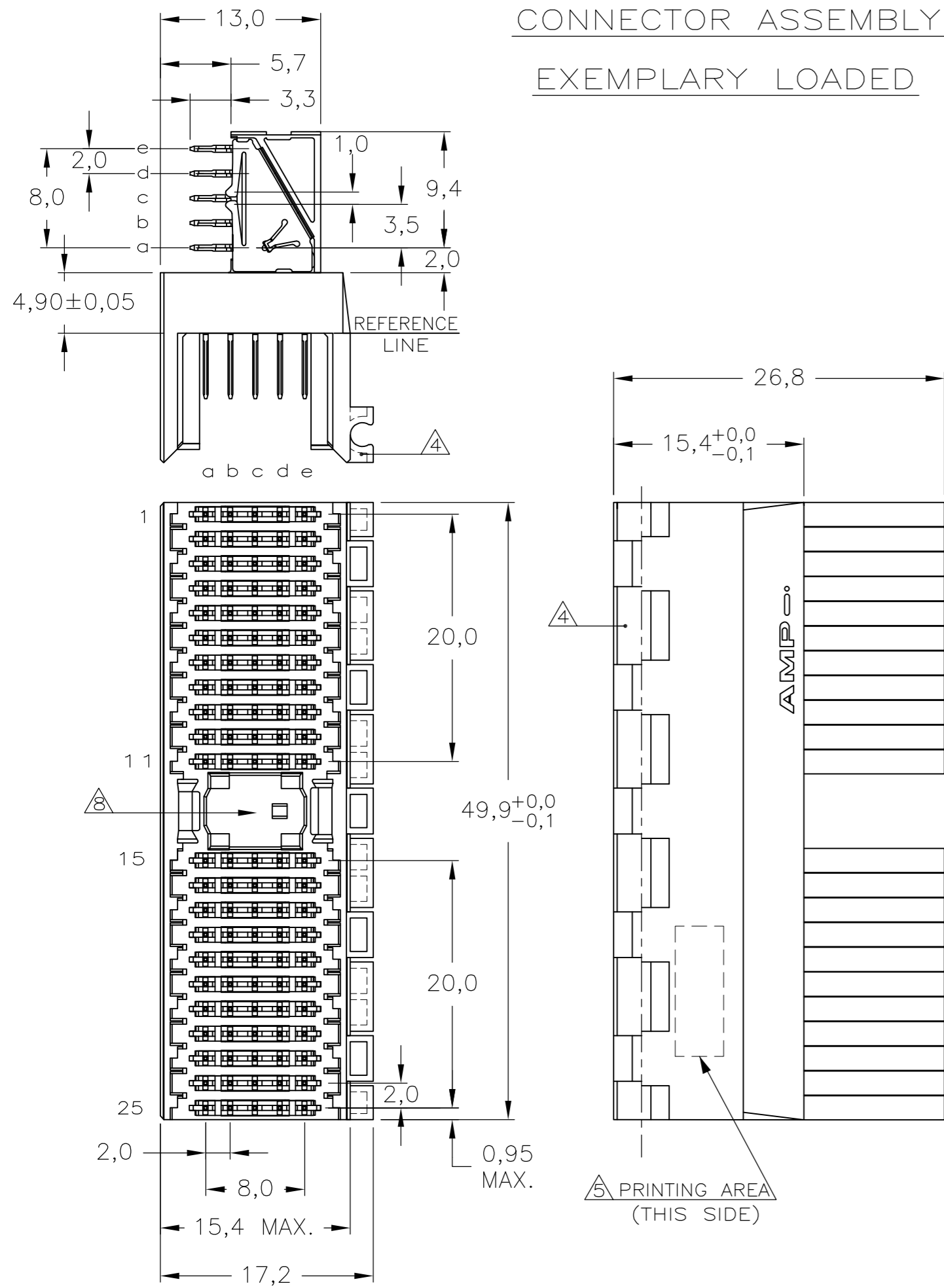


THIS DRAWING IS UNPUBLISHED. RELEASED FOR PUBLICATION  
 © COPYRIGHT BY TYCO ELECTRONICS CORPORATION. ALL RIGHTS RESERVED.

### CONTACT DIMENSIONS

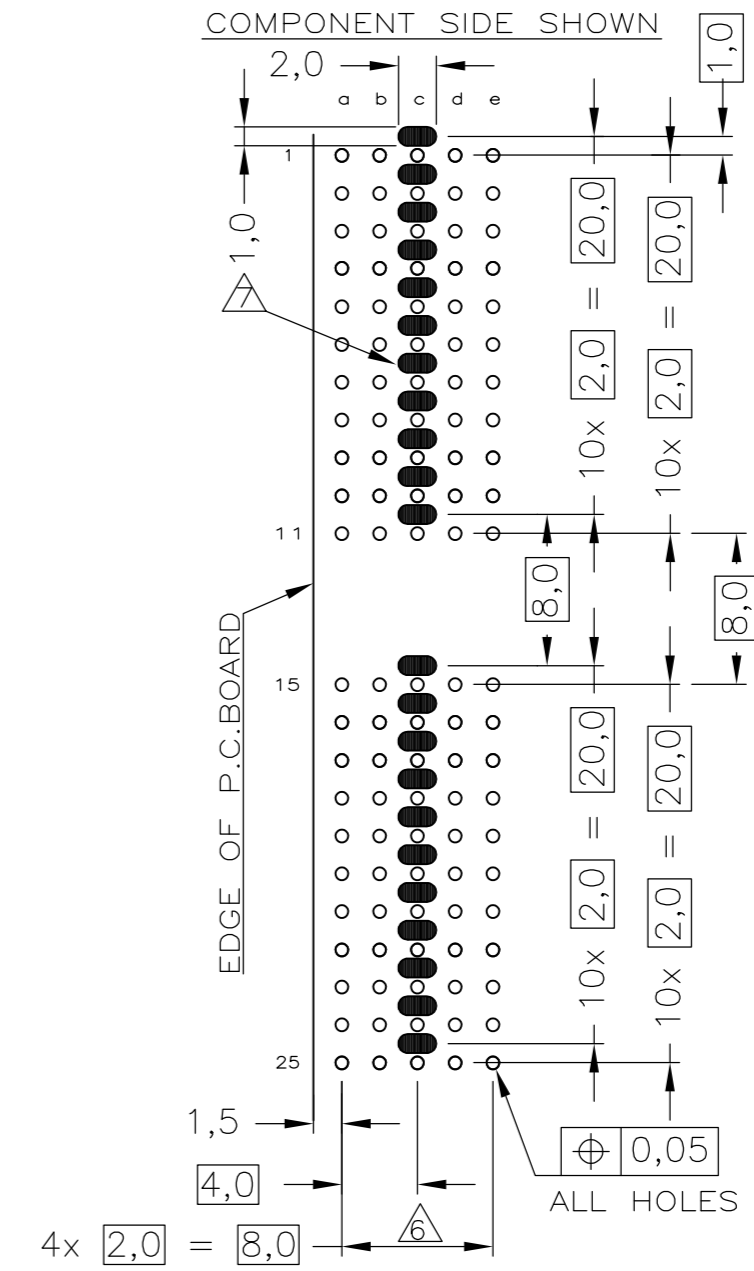


### CONNECTOR ASSEMBLY EXEMPLARY LOADED

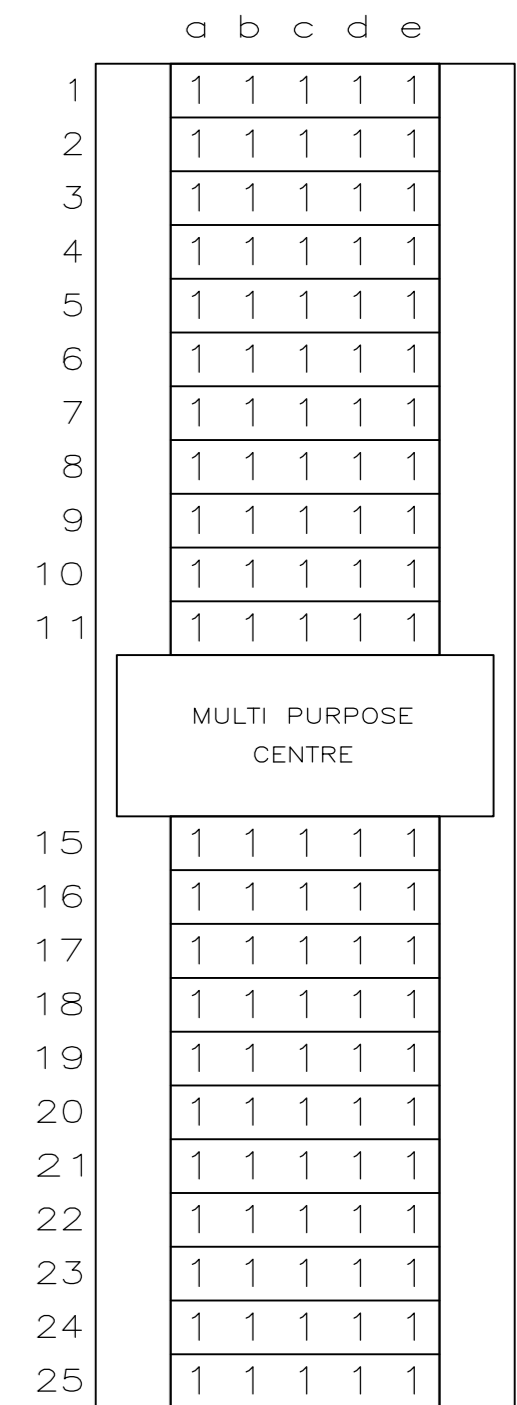


LOC	DIST	REVISIONS			
P	LTR	DESCRIPTION	DATE	DWN	APVD
C		ECR-06-026577	14-11-06	BSV	BM
C1		REVISED PER ECO-09-024717	04NOV09	KK	AEG
D		ECR-10-018652	10SEP10	JS	MQW

### RECOMMENDED PCB-HOLE LAY-OUT



### CONTACT LAYOUT



P.C.B. HOLE DIM. ACTION PIN  
 FOR DETAILS SEE  
 APPLICATION SPECIFICATION

- NOTES:
- 1 MATERIAL HOUSING : GREY GLASSFILLED POLYESTER UL-RATING V0
  - CONTACT : PHOSPHORBRONZE
  - REDUCED CROSS-TALK SHIELD: PHOSPHORBRONZE
  - 2 GENERAL CONTACT PALTING SPECIFICATION: UNDERPLATING (ENTIRE CONTACT): 1,27µm NICKEL MIN. AND ACTION PIN: 0,5µm TIN MIN. FOR PLATING OF MATING SURFACES SEE APPLICABLE SPECIFICATION REFERENCE FOR EACH DASH NUMBER. REDUCED CROSS-TALK SHIELD PLATING: GOLD FLASH OVER 1,27µm NICKEL MIN.
  - 3 CONFORMS TO ALL TESTING ACCORDING IEC 61076-4-101 PERFORMANCE LEVEL 2.
  - 4 CONNECTOR ASSEMBLY WITH LATCH HINGE FOR CABLE CONNECTOR.
  - 5 CONNECTOR PRINTED WITH PARTNUMBER AND DATECODE
  - 6 PLATED-THROUGH HOLES AT 2x2mm SQUARE GRID.
  - 7 PLATED SPOT ONLY ON COMPONENT SIDE, FORMING ONE CONTACT WITH PLATED THROUGH HOLES OF ROW C
  - 8 AREA FOR KEYING PART (BASIC PART NUMBER 100525).
  - 9 OBSOLETE PARTS: OBSOLETE CIS STREAMLINING PER D.RENAUD/D.SINISI

9 OBSOLETE	2/3	1-5352271-1 4
	2/3	5352271-1
CONTACT FINISH		PART NUMBER

THIS DRAWING IS A CONTROLLED DOCUMENT.		DWN K.N.KIRAN 23AUG2004	Tyco Electronics Corporation s-HertogenBosch, Netherlands,	
DIMENSIONS: mm	TOLERANCES UNLESS OTHERWISE SPECIFIED: ±0.2	CHK B.MOOIJ 22DEC2004	NAME Z-PACK 2mm HM TYPE A 110 POS. RIGHT ANGLE MALE CONNECTOR WITH REDUCED CROSS-TALK SHIELDS	
		APVD B.MOOIJ 22DEC2004	SIZE A2	CAGE CODE 00779
		PRODUCT SPEC 108-19082	DRAWING NO C=5352271	RESTRICTED TO -
MATERIAL -	FINISH -	APPLICATION SPEC 114-19029	SCALE 5:1	SHEET 1 OF 1
CUSTOMER DRAWING			REV D	