



Chipsmall Limited consists of a professional team with an average of over 10 year of expertise in the distribution of electronic components. Based in Hongkong, we have already established firm and mutual-benefit business relationships with customers from,Europe,America and south Asia,supplying obsolete and hard-to-find components to meet their specific needs.

With the principle of “Quality Parts,Customers Priority,Honest Operation,and Considerate Service”,our business mainly focus on the distribution of electronic components. Line cards we deal with include Microchip,ALPS,ROHM,Xilinx,Pulse,ON,Everlight and Freescale. Main products comprise IC,Modules,Potentiometer,IC Socket,Relay,Connector.Our parts cover such applications as commercial,industrial, and automotives areas.

We are looking forward to setting up business relationship with you and hope to provide you with the best service and solution. Let us make a better world for our industry!



## Contact us

Tel: +86-755-8981 8866 Fax: +86-755-8427 6832

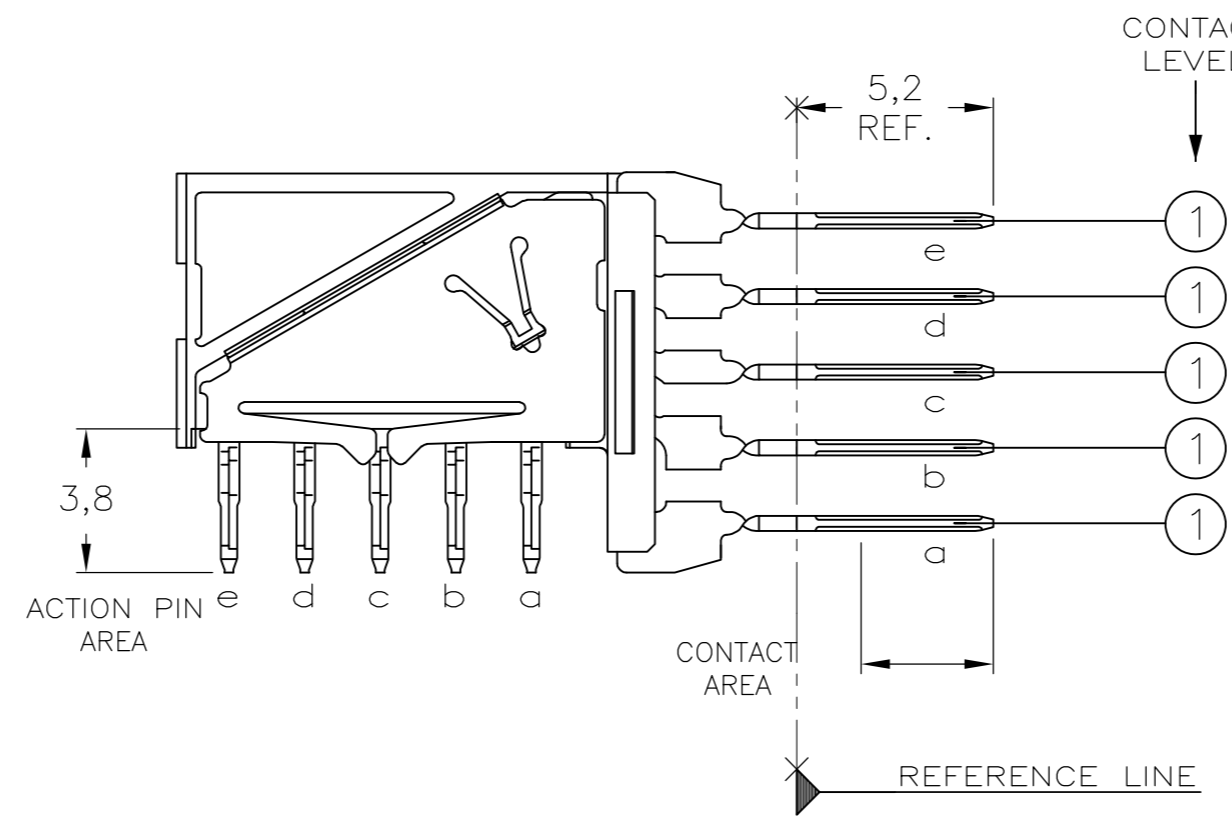
Email & Skype: info@chipsmall.com Web: www.chipsmall.com

Address: A1208, Overseas Decoration Building, #122 Zhenhua RD., Futian, Shenzhen, China



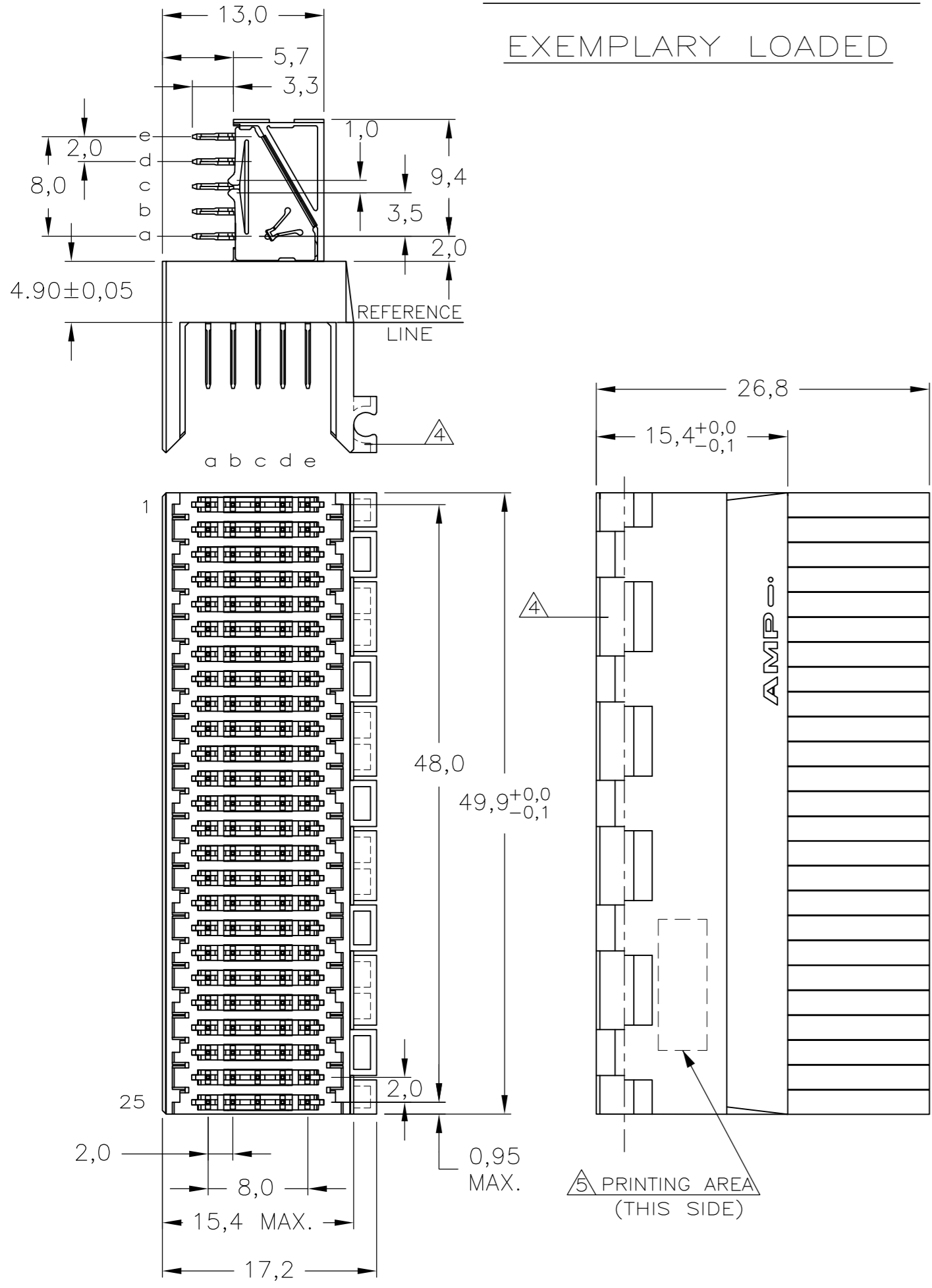
THIS DRAWING IS UNPUBLISHED. RELEASED FOR PUBLICATION  
 © COPYRIGHT BY TYCO ELECTRONICS CORPORATION. ALL RIGHTS RESERVED.

### CONTACT DIMENSIONS

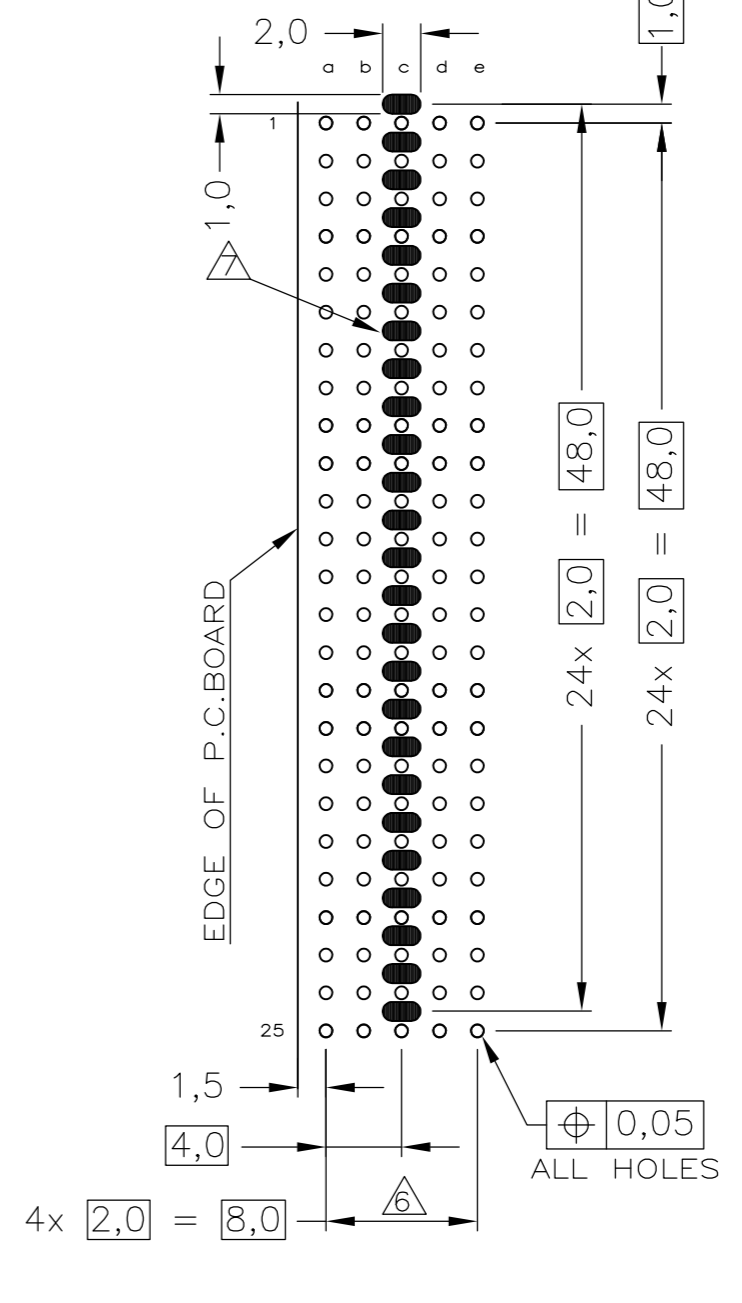


LOC	DIST	REVISIONS			
P	LTR	DESCRIPTION	DATE	DWN	APVD
C		ECR-06-026577	14-11-06	BSV	BM
D		ECR-10-018652	10SEP10	JS	MQW

### CONNECTOR ASSEMBLY EXEMPLARY LOADED



### RECOMMENDED PCB-HOLE LAY-OUT COMPONENT SIDE SHOWN



### CONTACT LAYOUT

	a	b	c	d	e
1	1	1	1	1	1
2	1	1	1	1	1
3	1	1	1	1	1
4	1	1	1	1	1
5	1	1	1	1	1
6	1	1	1	1	1
7	1	1	1	1	1
8	1	1	1	1	1
9	1	1	1	1	1
10	1	1	1	1	1
11	1	1	1	1	1
12	1	1	1	1	1
13	1	1	1	1	1
14	1	1	1	1	1
15	1	1	1	1	1
16	1	1	1	1	1
17	1	1	1	1	1
18	1	1	1	1	1
19	1	1	1	1	1
20	1	1	1	1	1
21	1	1	1	1	1
22	1	1	1	1	1
23	1	1	1	1	1
24	1	1	1	1	1
25	1	1	1	1	1

P.C.B. HOLE DIM. ACTION PIN  
 FOR DETAILS SEE  
 APPLICATION SPECIFICATION

- NOTES:
- 1 MATERIAL HOUSING : GREY GLASSFILLED POLYESTER  
UL-RATING V0
  - CONTACT : PHOSPHORBRONZE
  - REDUCED CROSS-TALK SHIELD: PHOSPHORBRONZE
  - GENERAL CONTACT PLATING SPECIFICATION: UNDERPLATING (ENTIRE CONTACT):  
1,27µm NICKEL MIN. AND ACTION PIN: 0,5µm TIN MIN.  
FOR PLATING OF MATING SURFACES SEE APPLICABLE SPECIFICATION  
REFERENCE FOR EACH DASH NUMBER.  
REDUCED CROSS-TALK SHIELD PLATING: GOLD FLASH OVER 1,27µm NICKEL MIN.
  - CONFORMS TO ALL TESTING ACCORDING IEC 61076-4-101  
PERFORMANCE LEVEL 2.
  - CONNECTOR ASSEMBLY WITH LATCH HINGE FOR CABLE CONNECTOR.
  - CONNECTOR PRINTED WITH PARTNUMBER AND DATECODE
  - PLATED-THROUGH HOLES AT 2x2mm SQUARE GRID.
  - PLATED SPOT ONLY ON COMPONENT SIDE, FORMING ONE CONTACT  
WITH PLATED THROUGH HOLES OF ROW C

$\Delta$ 2/3	1-5352272-1 $\Delta$ 4
$\Delta$ 2/3	5352272-1
CONTACT FINISH	PART NUMBER

THIS DRAWING IS A CONTROLLED DOCUMENT.		DWN 23AUG2004 K.N.KIRAN	Tyco Electronics Corporation s-HertogenBosch, Netherlands,	
DIMENSIONS: mm	TOLERANCES UNLESS OTHERWISE SPECIFIED:	CHK 23DEC2004 B.MOOIJ	NAME	
	0 PLC ± -	APVD 23DEC2004 B.MOOIJ	Z-PACK 2mm HM TYPE B	
	1 PLC ± -	PRODUCT SPEC	125 POS. RIGHT ANGLE MALE CONNECTOR	
	2 PLC ± - ±0.2	APPLICATION SPEC	WITH REDUCED CROSS-TALK SHIELDS	
	3 PLC ± -	108-19082	SIZE	CAGE CODE
	4 PLC ± -	114-19029	A2	00779
	ANGLES ± -	WEIGHT -	DRAWING NO	
MATERIAL -	FINISH -	CUSTOMER DRAWING	RESTRICTED TO	
			SCALE 5:1	SHEET 1 OF 1
			REV D	

5352272