



Chipsmall Limited consists of a professional team with an average of over 10 year of expertise in the distribution of electronic components. Based in Hongkong, we have already established firm and mutual-benefit business relationships with customers from,Europe,America and south Asia,supplying obsolete and hard-to-find components to meet their specific needs.

With the principle of "Quality Parts,Customers Priority,Honest Operation,and Considerate Service",our business mainly focus on the distribution of electronic components. Line cards we deal with include Microchip,ALPS,ROHM,Xilinx,Pulse,ON,Everlight and Freescale. Main products comprise IC,Modules,Potentiometer,IC Socket,Relay,Connector.Our parts cover such applications as commercial,industrial, and automotives areas.

We are looking forward to setting up business relationship with you and hope to provide you with the best service and solution. Let us make a better world for our industry!



Contact us

Tel: +86-755-8981 8866 Fax: +86-755-8427 6832

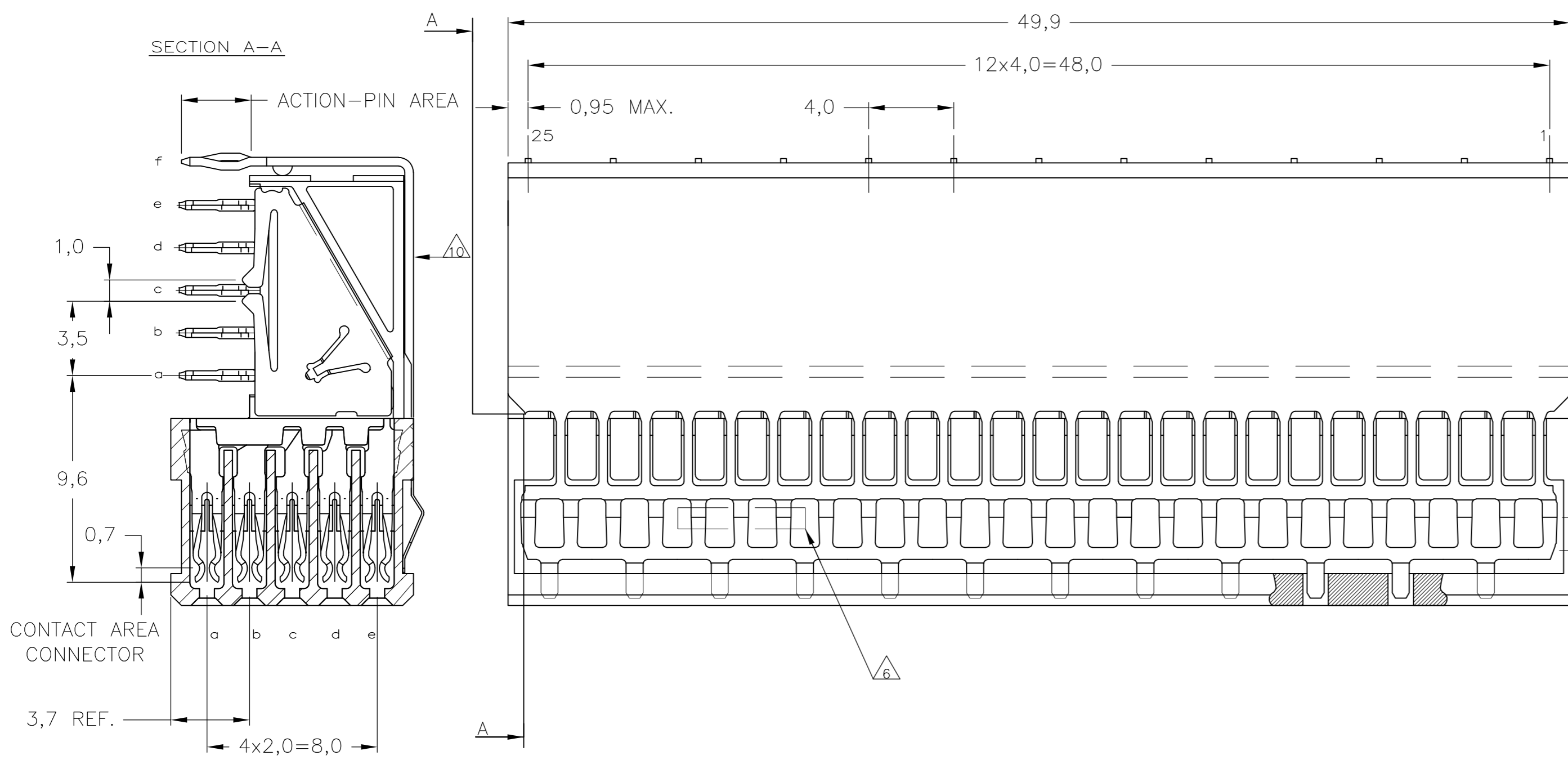
Email & Skype: info@chipsmall.com Web: www.chipsmall.com

Address: A1208, Overseas Decoration Building, #122 Zhenhua RD., Futian, Shenzhen, China

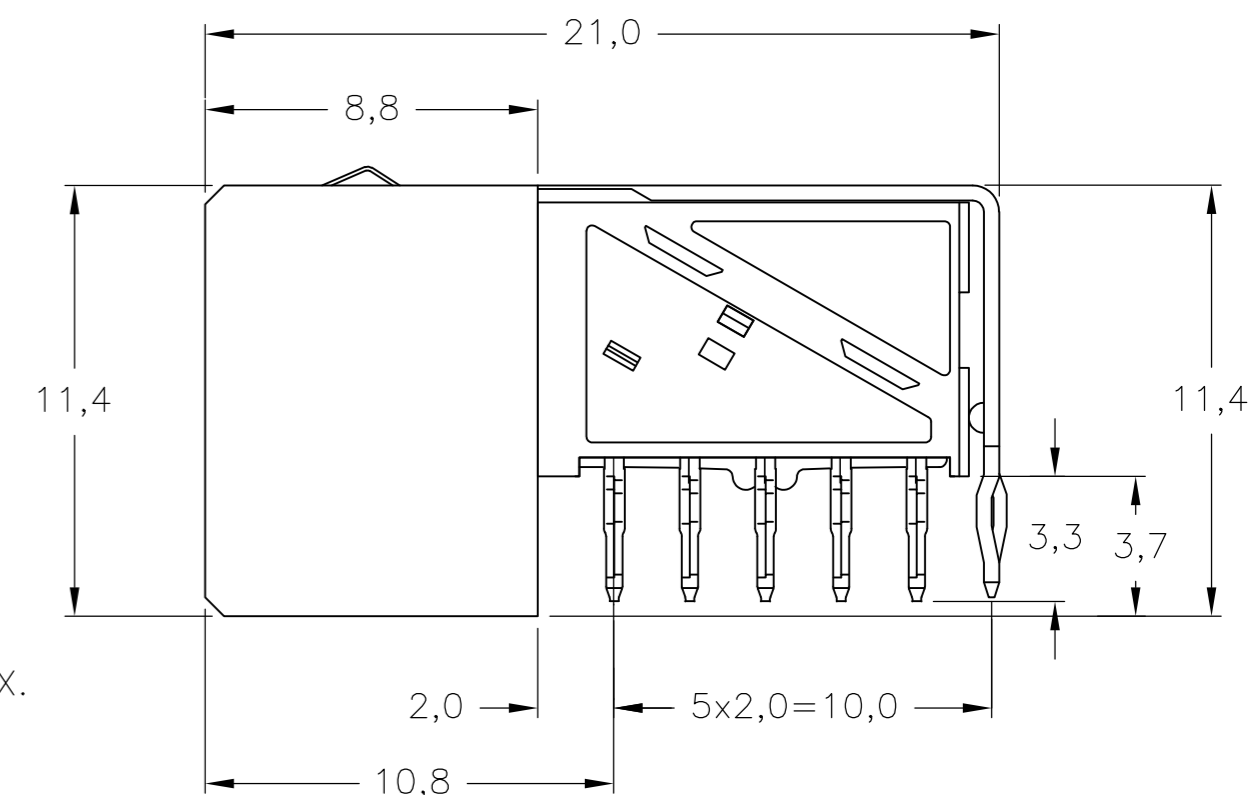
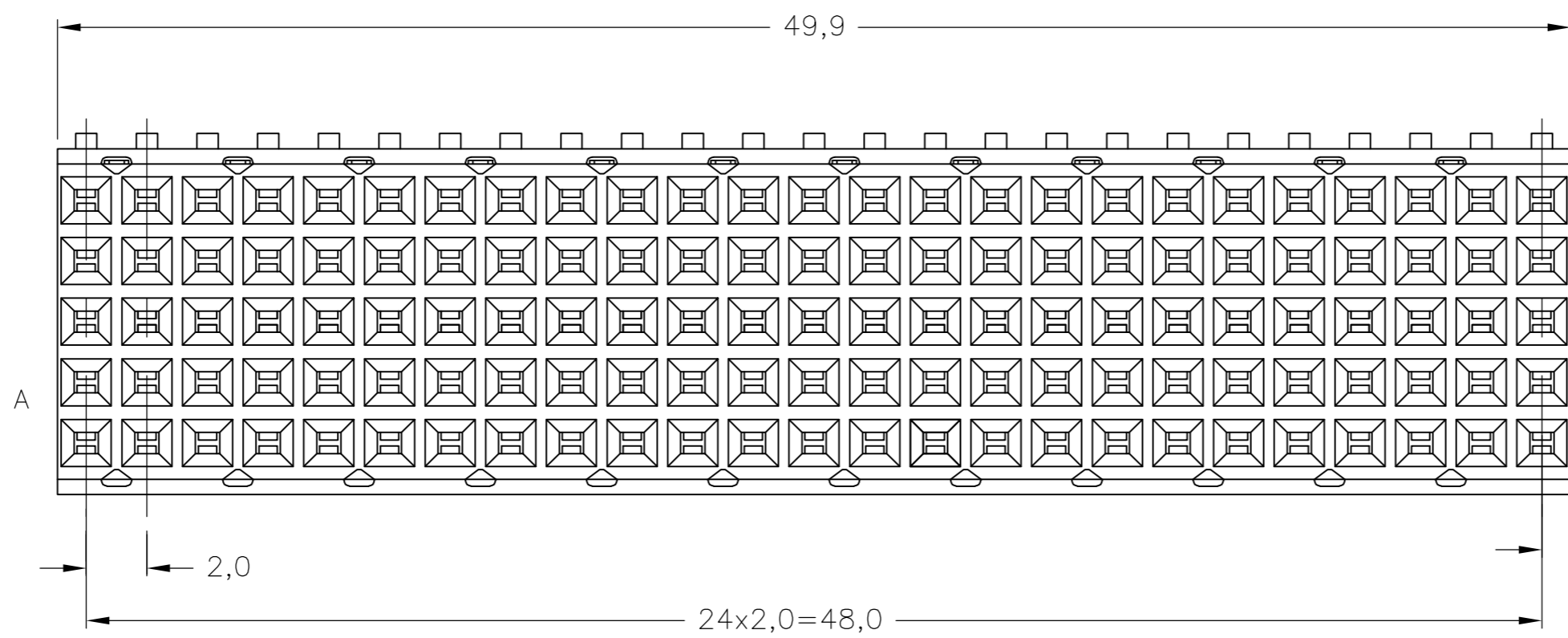


THIS DRAWING IS UNPUBLISHED. RELEASED FOR PUBLICATION
 © COPYRIGHT BY TYCO ELECTRONICS CORPORATION. ALL RIGHTS RESERVED.

LOC	DIST	REVISIONS					
H	-	P	LTR	DESCRIPTION	DATE	DWN	APVD
		C1		ECR-07-030919	21-12-07	JvH	BM
		C2		ECR-08-007679	17-02-09	AEG	MKO
		D		ECR-10-018652	10SEP10	SW	MQW

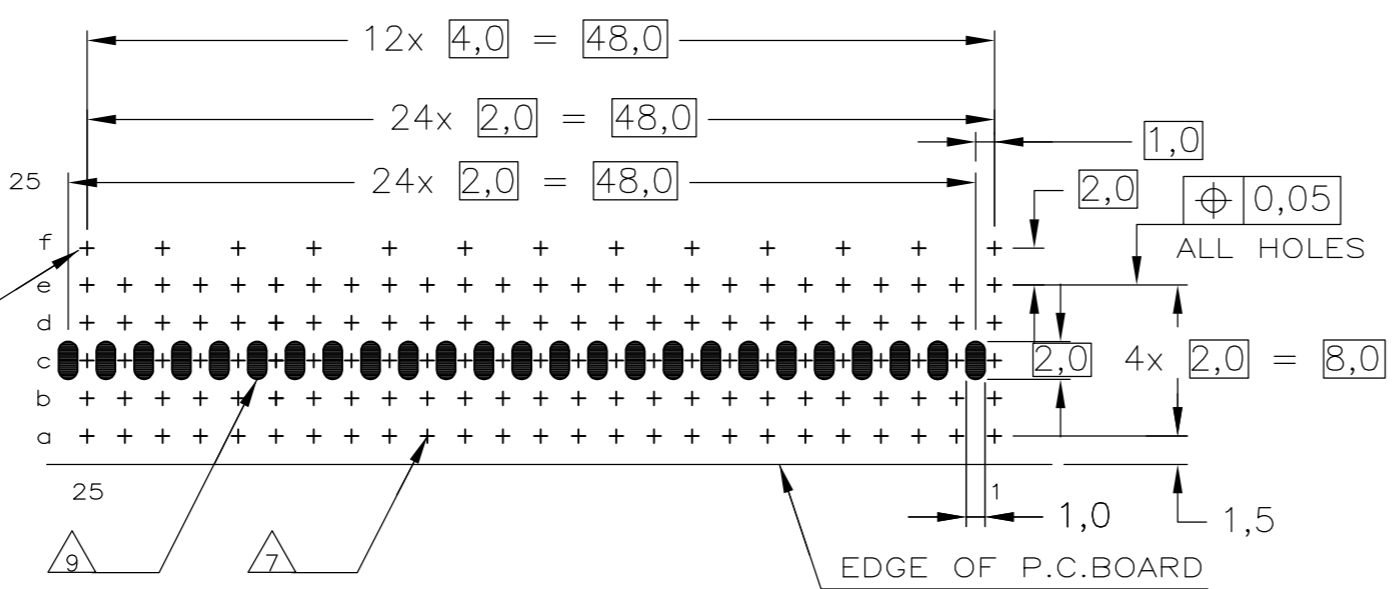


- NOTES:
- 1 MATERIAL CONTACTS; PHOSPHORBRONZE
 MATERIAL SHIELDS ; PHOSPHORBRONZE
 MATERIAL HOUSING; GLASSFILLED POLYESTER (GRAY)
 - 2 GENERAL CONTACT PLATING SPECIFICATION: UNDERPLATING
 (ENTIRE CONTACT): 1,27µm NICKEL MIN. AND ACTION PIN: 0,5µm TIN
 MIN. FOR PLATING OF MATING SURFACES SEE APPLICABLE SPECIFICATION
 REFERENCE FOR EACH DASH NUMBER.
 - 3 CONFORMS TO ALL TESTING ACCORDING IEC 61076-4-101
 PERFORMANCE LEVEL 2.
 - 4 CONFORMS TO ALL TESTING ACCORDING IEC 61076-4-101
 PERFORMANCE LEVEL 1.
 - 5 PLATING SHIELDS :
 GROUND RETURN SHIELD:
 CONTACT AREA : 0,76µm Au MIN.
 ACTION PIN : 0,5µm Sn MIN.
 REMAINDER : Ni
 REDUCED CROSS-TALK SHIELD: GOLD FLASH OVER 1,27 µm
 NICKEL MIN.
 - 6 ASSEMBLY PRINTED WITH P/N AND DATECODE
 THE MARKING CAN APPEAR ON THE FRONT SIDE
 OR ON THE BACK SIDE.
 - 7 HOLE PATTERN FOR FEMALE CONNECTOR TYPE B
 125 PLATED-THROUGH HOLES AT 2x2mm SQUARE GRID
 - 8 ROW "f" 13 PLATED THROUGH HOLES FOR UPPERSHIELD
 - 9 PLATED SPOT ONLY ON COMPONENT SIDE, FORMING
 ONE CONTACT WITH PLATED THROUGH HOLES OF ROW C
 - 10 SHIELD MOUNTED ON CONNECTOR WITH DOUBLE SIDED
 ADHESIVE TAPE OR ADHESIVE
11. BASIC P.N. LOWERSHIELD: 5338110



RECOMMENDED P.C.B. HOLE LAY-OUT
 COMPONENT SIDE AS SHOWN

SCALE 2,5:1



P.C.B. HOLE DIM. ACTION PIN
 FOR DETAILS SEE
 APPLICATION SPECIFICATION

THIS DRAWING IS A CONTROLLED DOCUMENT.

DIMENSIONS:	TOLERANCES UNLESS OTHERWISE SPECIFIED:
mm	±0.2
MATERIAL	FINISH
-	-

DWN	24AUG2004		Tyco Electronics Corporation 's-Hertogenbosch, Nederland
CHK	22MAR2005		
APVD	22MAR2005	NAME	
PRODUCT SPEC	108-19082	SIZE	A2
APPLICATION SPEC	114-19029	CAGE CODE	00779
WEIGHT	-	DRAWING NO	C=5352345
CUSTOMER DRAWING		RESTRICTED TO	-