



Chipsmall Limited consists of a professional team with an average of over 10 year of expertise in the distribution of electronic components. Based in Hongkong, we have already established firm and mutual-benefit business relationships with customers from,Europe,America and south Asia,supplying obsolete and hard-to-find components to meet their specific needs.

With the principle of “Quality Parts,Customers Priority,Honest Operation,and Considerate Service”,our business mainly focus on the distribution of electronic components. Line cards we deal with include Microchip,ALPS,ROHM,Xilinx,Pulse,ON,Everlight and Freescale. Main products comprise IC,Modules,Potentiometer,IC Socket,Relay,Connector.Our parts cover such applications as commercial,industrial, and automotives areas.

We are looking forward to setting up business relationship with you and hope to provide you with the best service and solution. Let us make a better world for our industry!



Contact us

Tel: +86-755-8981 8866 Fax: +86-755-8427 6832

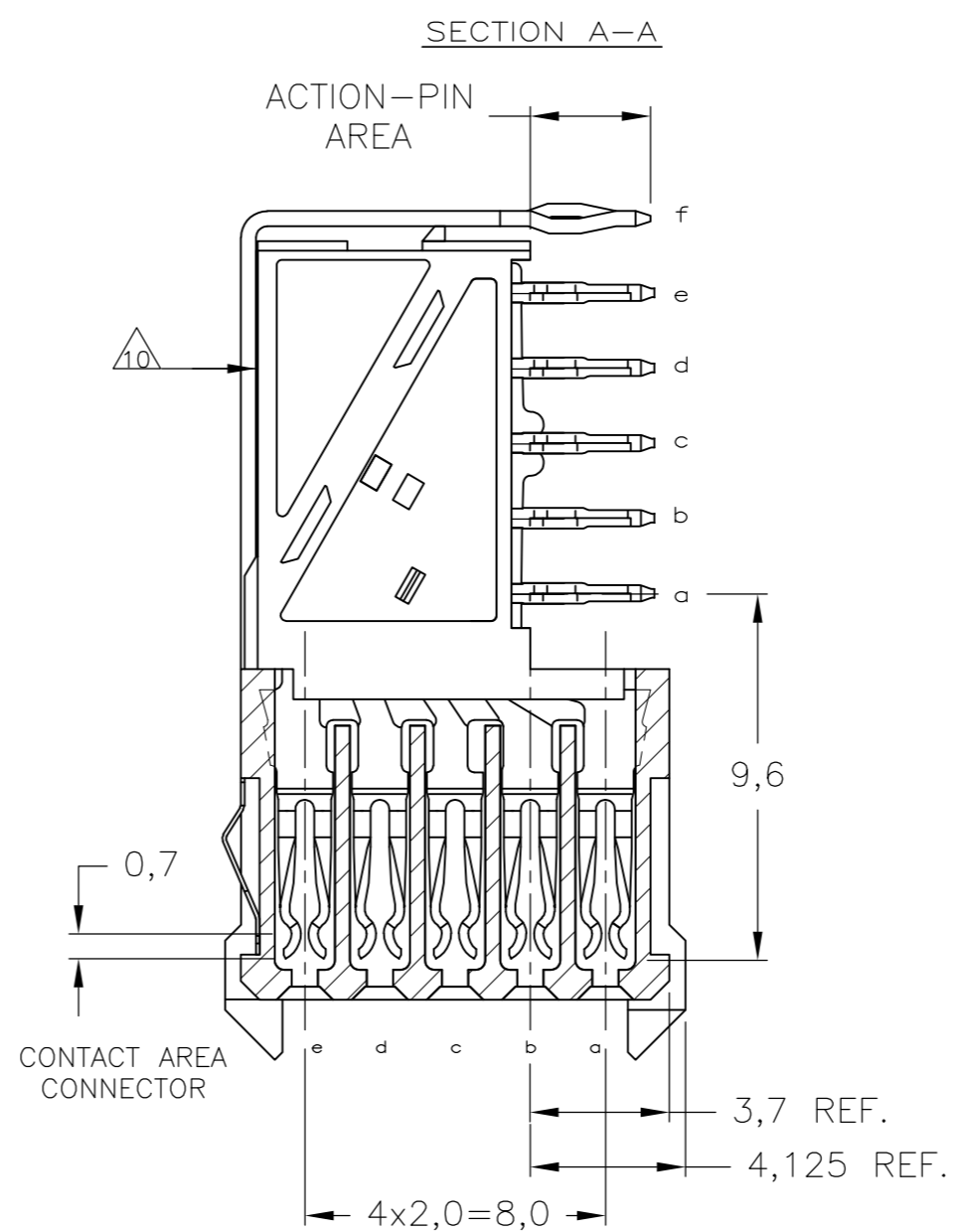
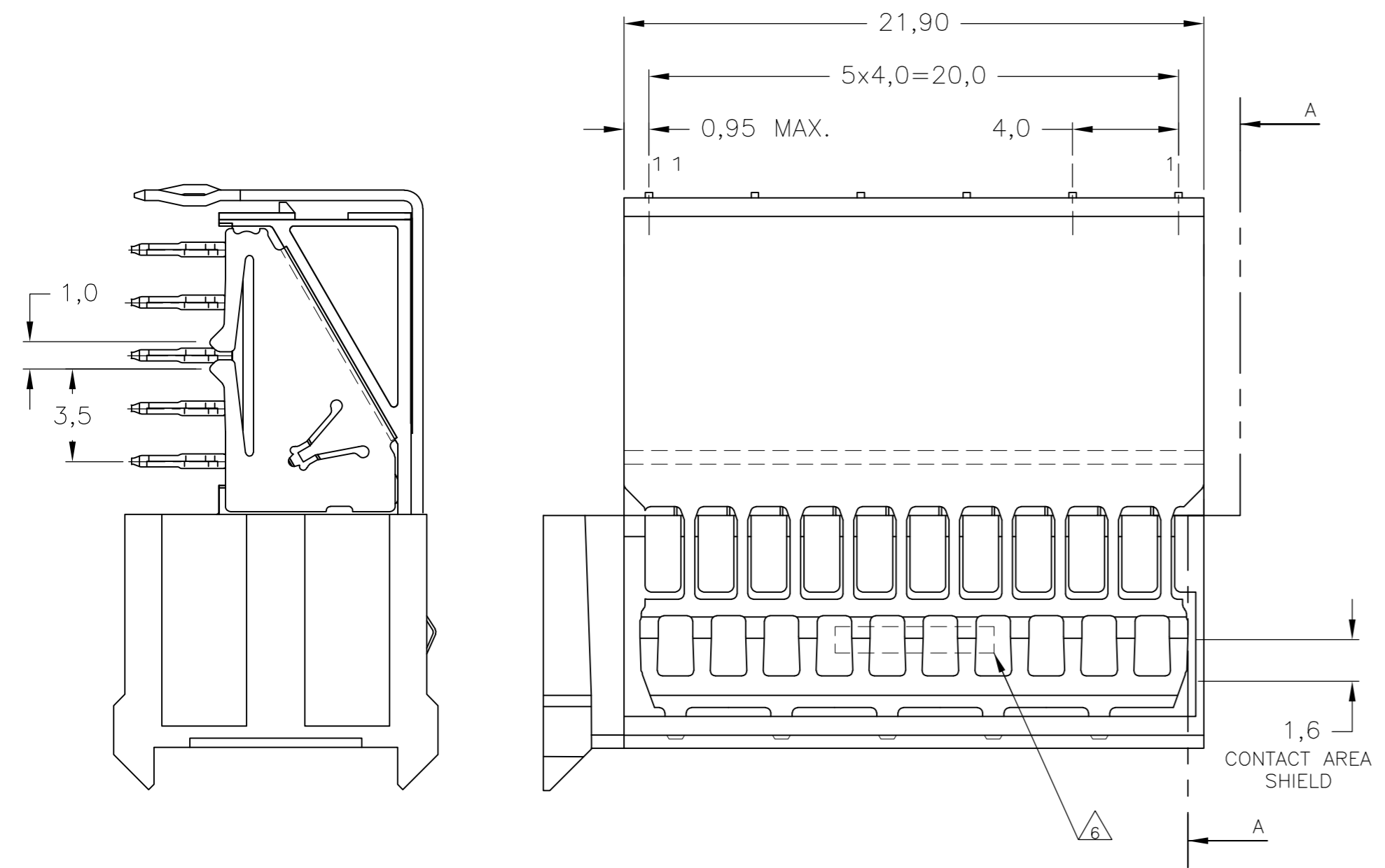
Email & Skype: info@chipsmall.com Web: www.chipsmall.com

Address: A1208, Overseas Decoration Building, #122 Zhenhua RD., Futian, Shenzhen, China

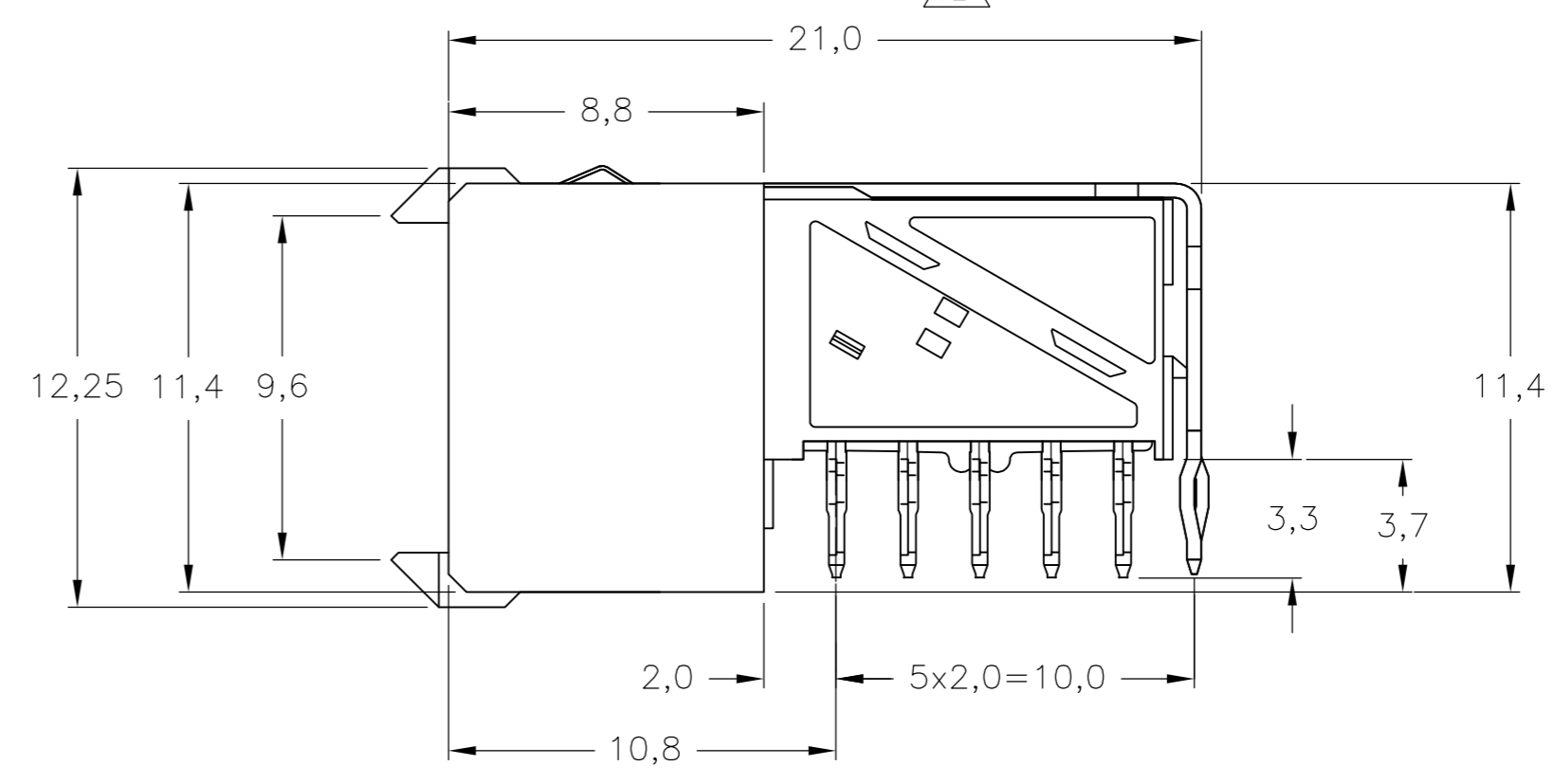
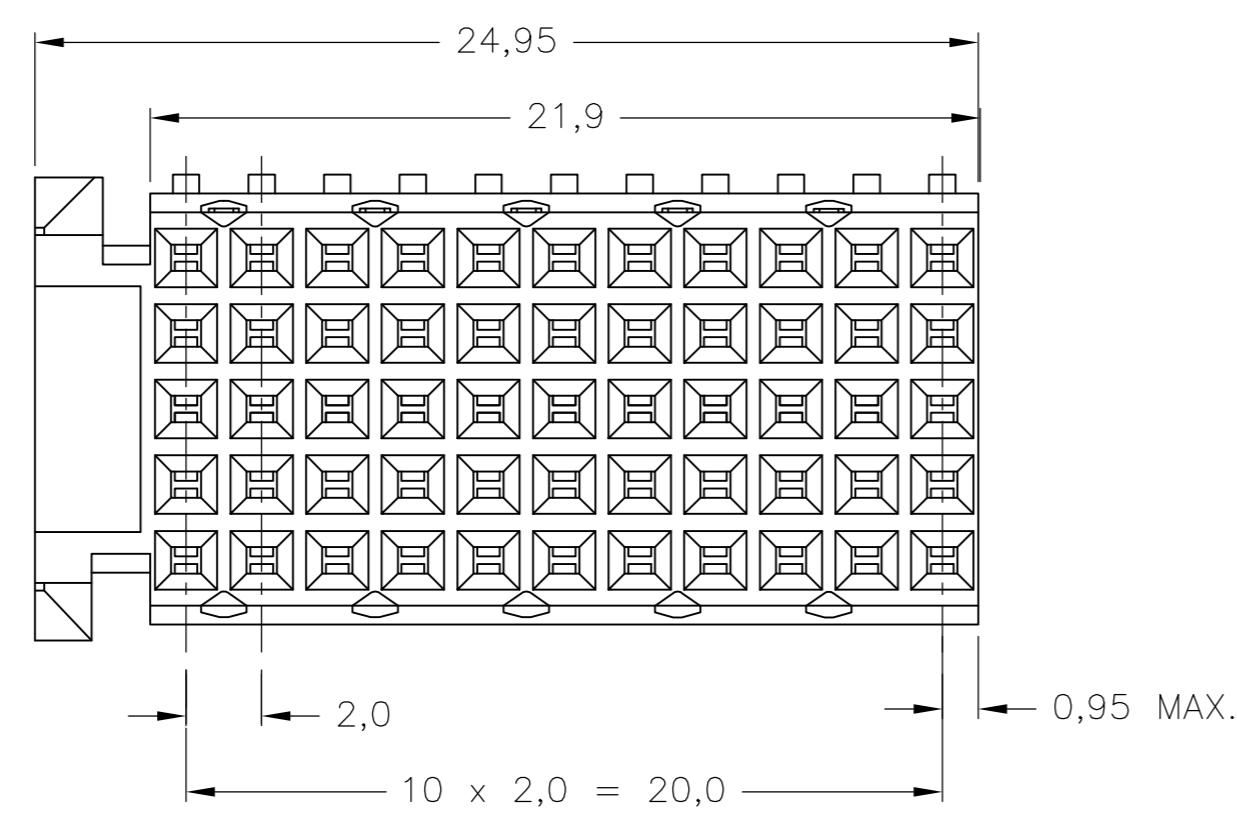


THIS DRAWING IS UNPUBLISHED. RELEASED FOR PUBLICATION
 © COPYRIGHT BY TYCO ELECTRONICS CORPORATION. ALL RIGHTS RESERVED.

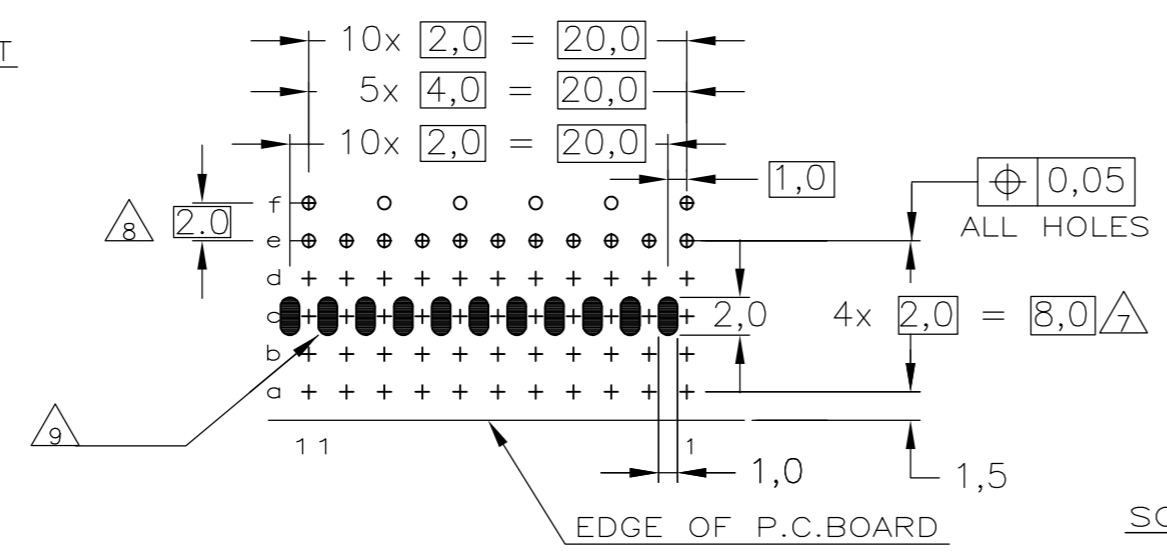
Loc	DIST	REVISIONS					
		P	LTR	DESCRIPTION	DATE	DWN	APVD
H	-	C2		ECR-07-030919	21DEC2007	JvH	BM
		C3		REVISED PER ECO-10-000444	04NOV09	KK	AEG
		D		ECR-10-018652	10SEP10	SW	MQW



- NOTES:
- 1 MATERIAL CONTACTS; PHOSPHORBRONZE
MATERIAL SHIELDS ; PHOSPHORBRONZE
MATERIAL HOUSING; GLASSFILLED POLYESTER (GRAY)
 - 2 GENERAL CONTACT PLATING SPECIFICATION: UNDERPLATING (ENTIRE CONTACT):1,27µm NICKEL MIN. AND ACTION PIN: 0,5µm TIN MIN.
FOR PLATING OF MATING SURFACES SEE APPLICABLE SPECIFICATION REFERENCE FOR EACH DASH NUMBER.
 - 3 CONFORMS TO ALL TESTING ACCORDING IEC 61076-4-101 PERFORMANCE LEVEL 2.
 - 4 CONFORMS TO ALL TESTING ACCORDING IEC 61076-4-101 PERFORMANCE LEVEL 1.
 - 5 PLATING SHIELDS :
GROUND RETURN SHIELD:
CONTACT AREA : 0,76µm Au MIN.
ACTION PIN : 0,5µm Sn MIN.
REMAINDER : Ni
REDUCED CROSS-TALK SHIELD: GOLD FLASH OVER 1,27 µm NICKEL MIN.
 - 6 ASSEMBLY PRINTED WITH P/N AND DATECODE
THE MARKING CAN APPEAR ON THE FRONT SIDE OR ON THE BACK SIDE.
 - 7 HOLE PATTERN FOR FEMALE CONNECTOR TYPE C
55 PLATED-THROUGH HOLES AT 2x2mm SQUARE GRID
 - 8 ROW "f" 6 PLATED THROUGH HOLES FOR UPPERSHIELD
 - 9 PLATED SPOT ONLY ON COMPONENT SIDE.
FORMING ONE CONTACT WITH PLATED THROUGH HOLES OF ROW C.
 - 10 SHIELD MOUNTED ON CONNECTOR WITH DOUBLE SIDED ADHESIVE TAPE OR ADHESIVE
 - 11 FITS WITH LOWERSHIELD, BASIC PARTNUMBER : 5352112.
 - 12 OBSOLETE PARTS: OBSOLETE CIS STREAMLINING PER D.RENAUD/D.SINISI



RECOMMENDED P.C.B. HOLE LAY-OUT
COMPONENT SIDE AS SHOWN



P.C.B. HOLE DIM. ACTION PIN
FOR DETAILS SEE
APPLICATION SPECIFICATION

SCALE 2,5:1

THIS DRAWING IS A CONTROLLED DOCUMENT.		DWN K.N.KIRAN 24AUG2004	Tyco Electronics Corporation 's-Hertogenbosch,5222AR-32	
DIMENSIONS: mm		CHK B.MOOIJ 22MAR2005	NAME	
TOLERANCES UNLESS OTHERWISE SPECIFIED: ±0.2		APVD B.MOOIJ 22MAR2005	Z-PACK 2mm HM TYPE C PRE-SHIELDED RECEPTACLE WITH RED.CROSS-TALK SHIELDS	
MATERIAL		PRODUCT SPEC 108-19082	SIZE A2	RESTRICTED TO
		APPLICATION SPEC 114-19029	CAGE CODE 00779	SCALE 5:1
		WEIGHT	DRAWING NO C=5352346	SHEET 1 OF 1
		CUSTOMER DRAWING	REV D	