



Chipsmall Limited consists of a professional team with an average of over 10 year of expertise in the distribution of electronic components. Based in Hongkong, we have already established firm and mutual-benefit business relationships with customers from,Europe,America and south Asia,supplying obsolete and hard-to-find components to meet their specific needs.

With the principle of “Quality Parts,Customers Priority,Honest Operation,and Considerate Service”,our business mainly focus on the distribution of electronic components. Line cards we deal with include Microchip,ALPS,ROHM,Xilinx,Pulse,ON,Everlight and Freescale. Main products comprise IC,Modules,Potentiometer,IC Socket,Relay,Connector.Our parts cover such applications as commercial,industrial, and automotives areas.

We are looking forward to setting up business relationship with you and hope to provide you with the best service and solution. Let us make a better world for our industry!



## Contact us

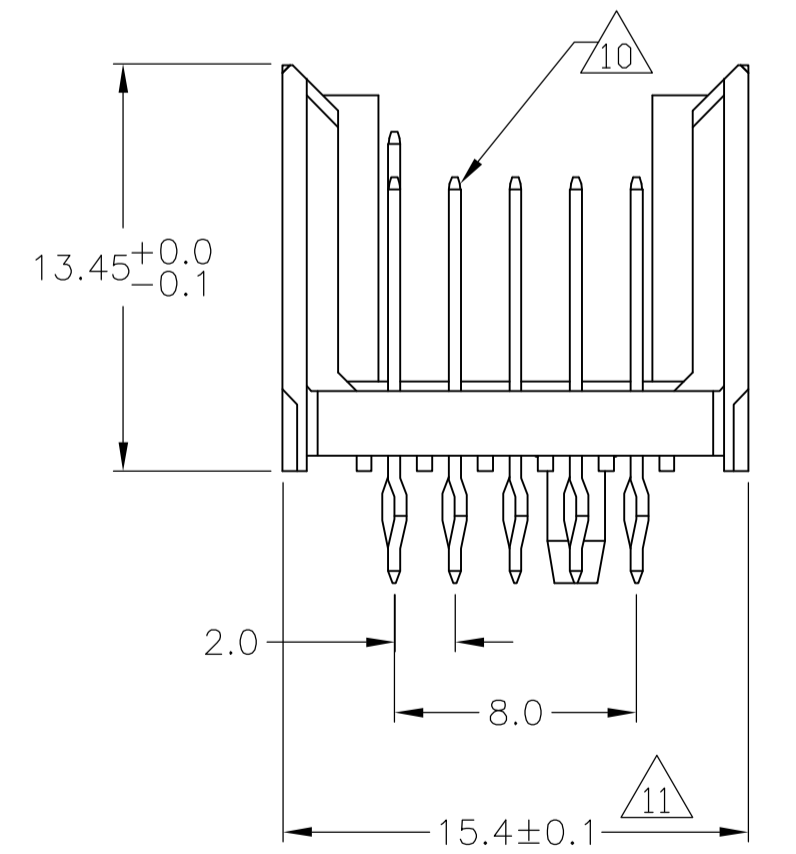
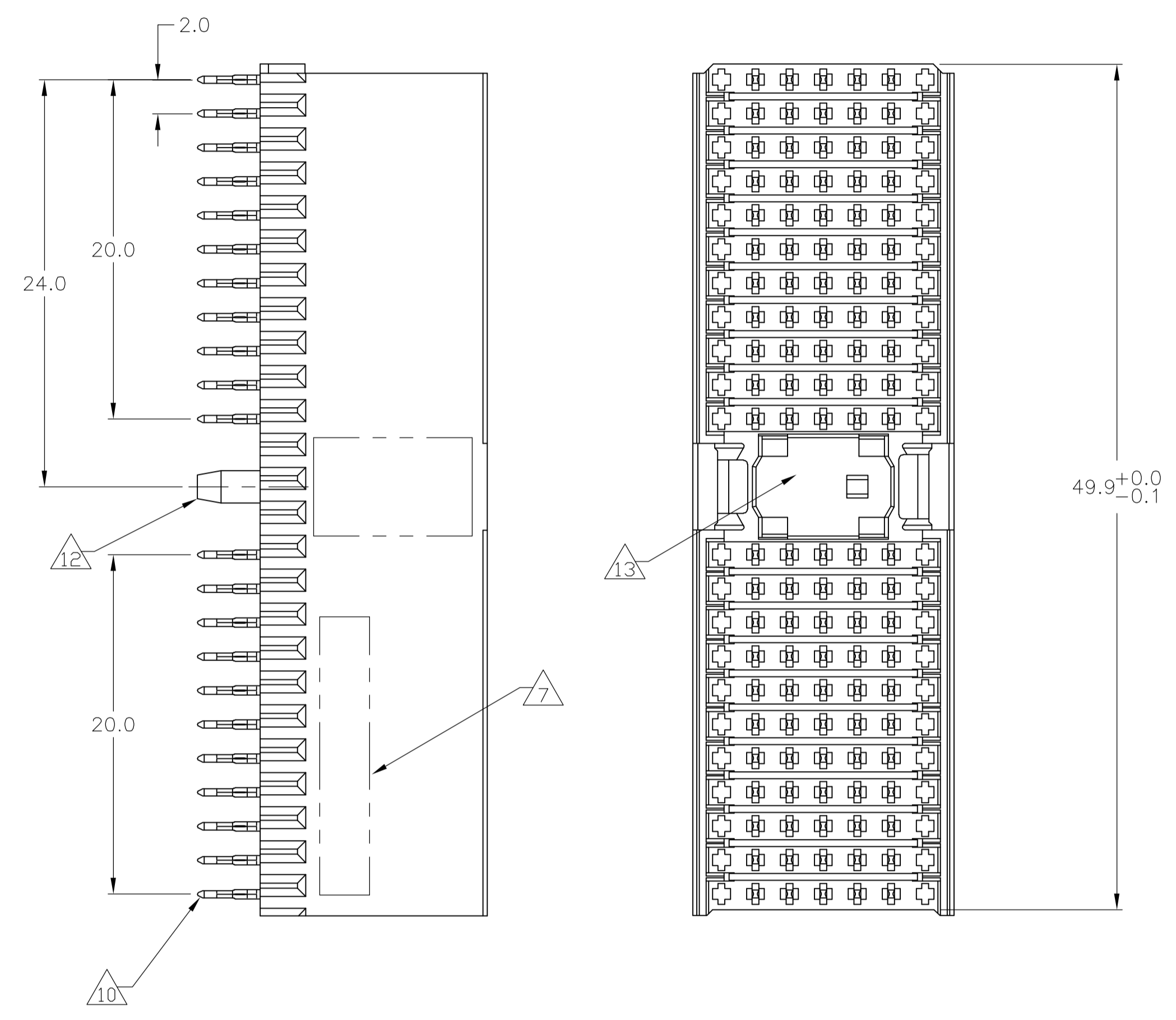
Tel: +86-755-8981 8866 Fax: +86-755-8427 6832

Email & Skype: info@chipsmall.com Web: www.chipsmall.com

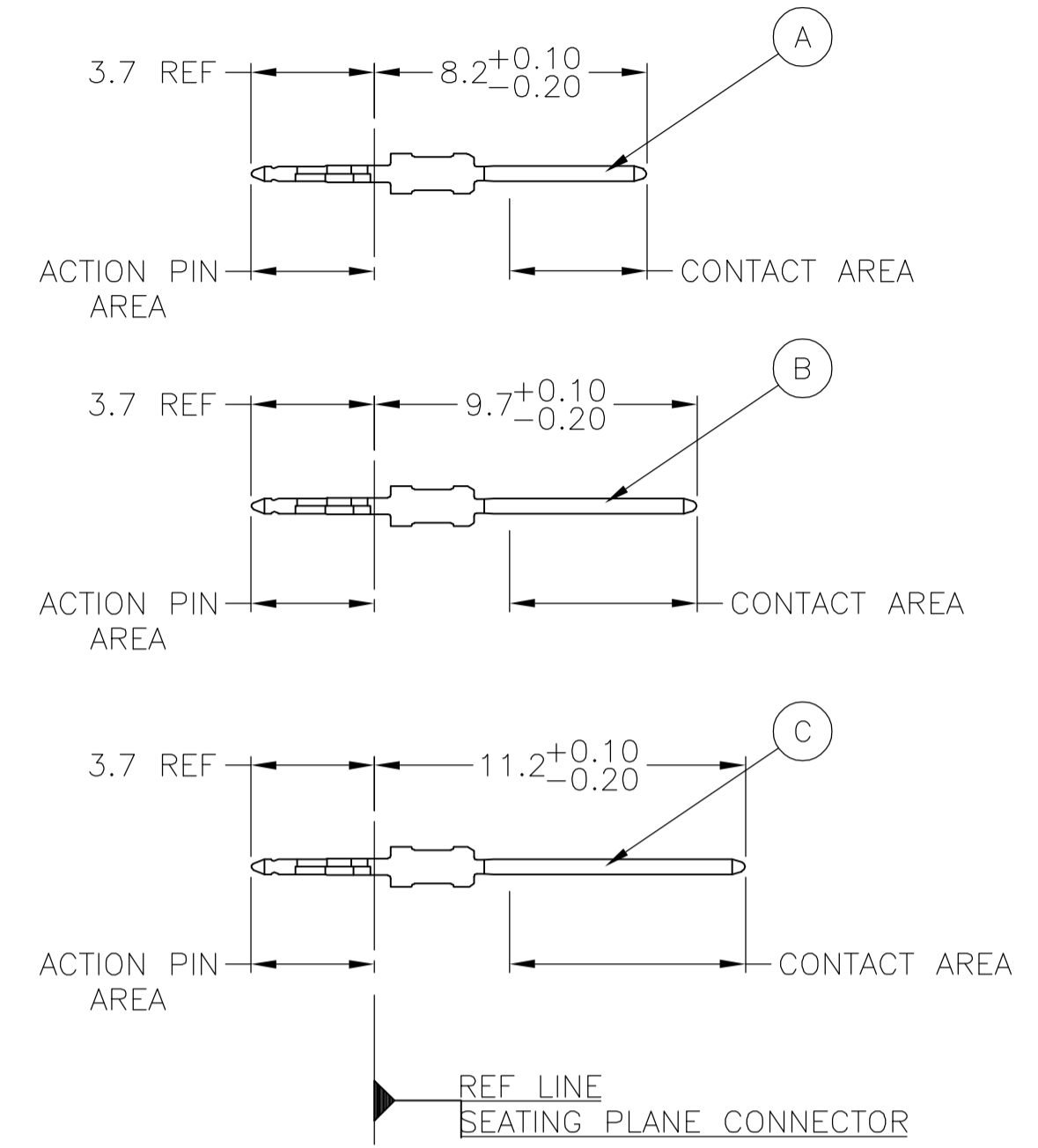
Address: A1208, Overseas Decoration Building, #122 Zhenhua RD., Futian, Shenzhen, China



### CONNECTOR ASSEMBLY EXAMPLARY LOADED



### CONTACT DIMENSIONS SCALE 5:1

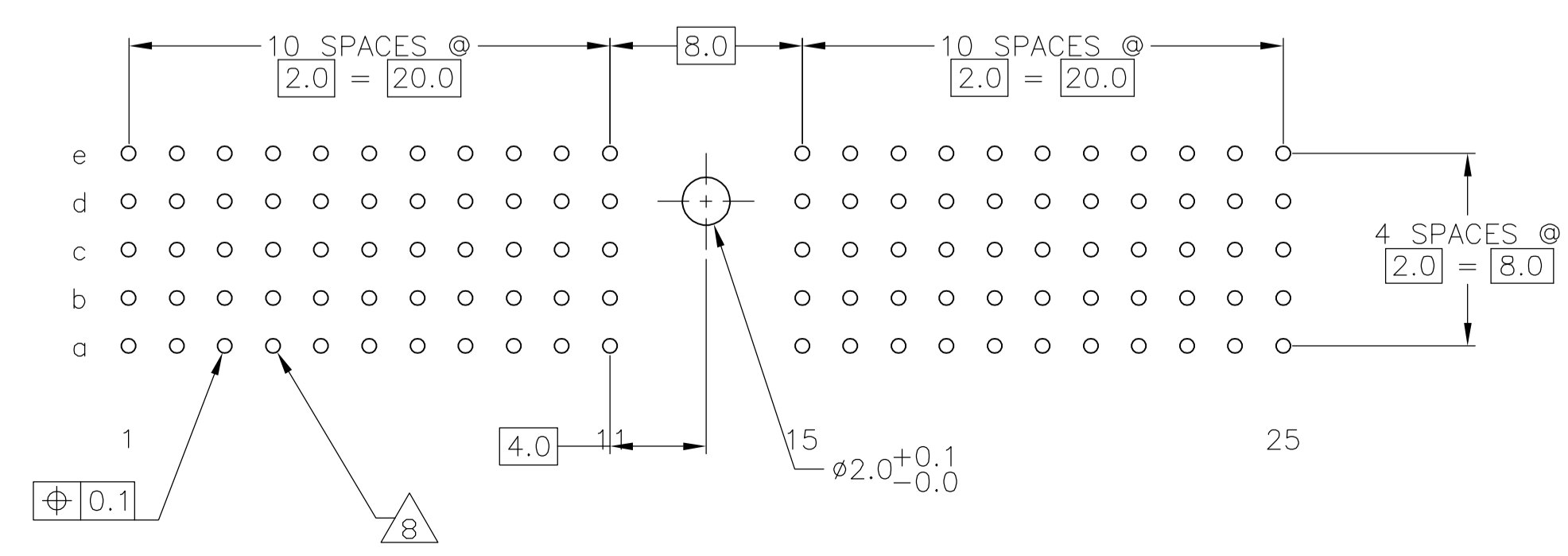


### CONTACT LAYOUT

	z	a	b	c	d	e	f
1		C	B	B	B	B	
2		B	B	B	B	B	
3		B	B	B	B	B	
4		C	B	B	B	B	
5		B	B	B	B	B	
6		B	B	B	B	B	
7		B	B	B	B	B	
8		C	B	B	B	B	
9		B	B	B	B	B	
10		B	B	B	B	B	
11		B	B	B	B	B	
MULTI PURPOSE CENTER							
15		B	B	B	B	B	
16		B	B	B	B	A	
17		B	B	B	A	B	
18		B	B	B	B	B	
19		B	B	B	B	B	
20		C	B	B	B	B	
21		C	B	B	B	B	
22		B	B	B	B	B	
23		B	B	B	B	B	
24		C	B	B	B	B	
25		B	B	B	B	B	

### RECOMMENDED PCB-HOLE LAYOUT COMPONENT SIDE SHOWN

### PLATED THRU HOLES PARAMETERS REFERENCE APPLICATION SPECIFICATION



2 6 14	1-5352721-9
2 5 14	5352721-9
2 4 4	5352721-4
2 3 3	5352721-1
FINISH	PART NUMBER

THIS DRAWING IS A CONTROLLED DOCUMENT.

DIMENSIONS: mm	TOLERANCES UNLESS OTHERWISE SPECIFIED:	DIN B CARBO	D1SEP05	tyco Electronics	Tyco Electronics Corporation Harrisburg, Pa 17105-3608
0 PLC ± -	1 PLC ± 0.1	CHK G SKIPPER	D1SEP05	NAME	MALE ASSEMBLY, Z-PACK 2mm HM, TYPE A
2 PLC ± -	3 PLC ± -	APVD G SKIPPER	D1SEP05	PRODUCT SPEC	108-19082
4 PLC ± -	ANGLES ± ±	APPLICATION SPEC		114-19029	SIZE CAGE CODE DRAWING NO RESTRICTED TO
MATERIAL	FINISH SEE TABLE	WEIGHT		A1 00779	5352721
				CUSTOMER DRAWING	SCALE 4:1 SHEET 1 OF 2 REV 0

- 1 MATERIAL:  
CONTACT: PHOSPHOR BRONZE.  
HOUSING: GLASS-FILLED POLYESTER.
- 2 GENERAL PLATING SPECIFICATION: UNDERPLATING  
(ENTIRE CONTACT): 1.27µm MIN NICKEL AND ACTION  
PIN: 0.5µm MIN TIN.  
FOR PLATING OF MATING SURFACES SEE APPLICABLE  
SPECIFICATION REFERENCE FOR EACH DASH NUMBER.
- 3 CONFORMS TO ALL TESTING ACCORDING TO IEC 61076-4-101  
PERFORMANCE LEVEL 2.
- 4 CONFORMS TO ALL TESTING ACCORDING TO IEC 61076-4-101  
PERFORMANCE LEVEL 1.
- 5 CONNECTOR TESTED AND QUALIFIED AGAINST TELCORDIA GR-1217-CORE QUALITY LEVEL 3,  
CENTRAL OFFICE APPLICATIONS.
- 6 CONNECTOR TESTED AND QUALIFIED AGAINST TELCORDIA GR-1217-CORE QUALITY LEVEL 3,  
UNCONTROLLED ENVIROMENT APPLICATIONS.
- 7 CONNECTOR MARKED WITH PART NUMBER AND DATE CODE.  
ADDITIONAL CHARACTERS OR MARKINGS, AS WELL AS THE LOCATION OF THE MARKINGS,  
MAY BE ADDED FOR TRACEABILITY BASED UPON MANUFACTURERS DISCRETION.
- 8 PLATED-THROUGH HOLES AT 2x2mm SQUARE GRID  
PATTERN DEFINED BY CONTACT LAYOUT.
- 9 FOR ACTUAL PIN LOADING SEE "CONTACT LAYOUT".
- 10 FOR ACTUAL PIN DIMENSIONS SEE "CONTACT DIMENSIONS".
- 11 TO BE MEASURED AT BOTTOM OF SHROUD.
- 12 POLARIZATION FEATURE.
- 13 AREA RESERVED FOR KEYING PART (BASIC P/N 100525).
- 14 CONNECTOR LUBRICATED WITH BELCORE APPROVED LUBRICANT,  
TECHNICAL REFERENCE: TR-NWT-001217 ISSUE 1, SEP 1992.

THIS DRAWING IS A CONTROLLED DOCUMENT.		DIN B CARBO	01SEP05	<b>tyco</b> Electronics	Tyco Electronics Corporation Harrisburg, Pa 17105-3608	
DIMENSIONS: mm		CHK G SKIPPER	01SEP05		NAME	MALE ASSEMBLY, Z-PACK 2mm HM, TYPE A
TOLERANCES UNLESS OTHERWISE SPECIFIED:		APVD G SKIPPER	01SEP05	PRODUCT SPEC	108-19082	
0 PLC ± -		APPLICATION SPEC		114-19029		RESTRICTED TO
1 PLC ± 0.1		SIZE		A1		C=5352721
2 PLC ± -		CAGE CODE		00779		
3 PLC ± -		DRAWING NO		5352721		-
4 PLC ± -		WEIGHT		-		
ANGLES ± ± -		CUSTOMER DRAWING		SCALE 4:1		SHEET 2 OF 2
MATERIAL SEE SHEET 1		FINISH SEE SHEET 1		REV		0