



Chipsmall Limited consists of a professional team with an average of over 10 year of expertise in the distribution of electronic components. Based in Hongkong, we have already established firm and mutual-benefit business relationships with customers from,Europe,America and south Asia,supplying obsolete and hard-to-find components to meet their specific needs.

With the principle of “Quality Parts,Customers Priority,Honest Operation,and Considerate Service”,our business mainly focus on the distribution of electronic components. Line cards we deal with include Microchip,ALPS,ROHM,Xilinx,Pulse,ON,Everlight and Freescale. Main products comprise IC,Modules,Potentiometer,IC Socket,Relay,Connector.Our parts cover such applications as commercial,industrial, and automotives areas.

We are looking forward to setting up business relationship with you and hope to provide you with the best service and solution. Let us make a better world for our industry!



Contact us

Tel: +86-755-8981 8866 Fax: +86-755-8427 6832

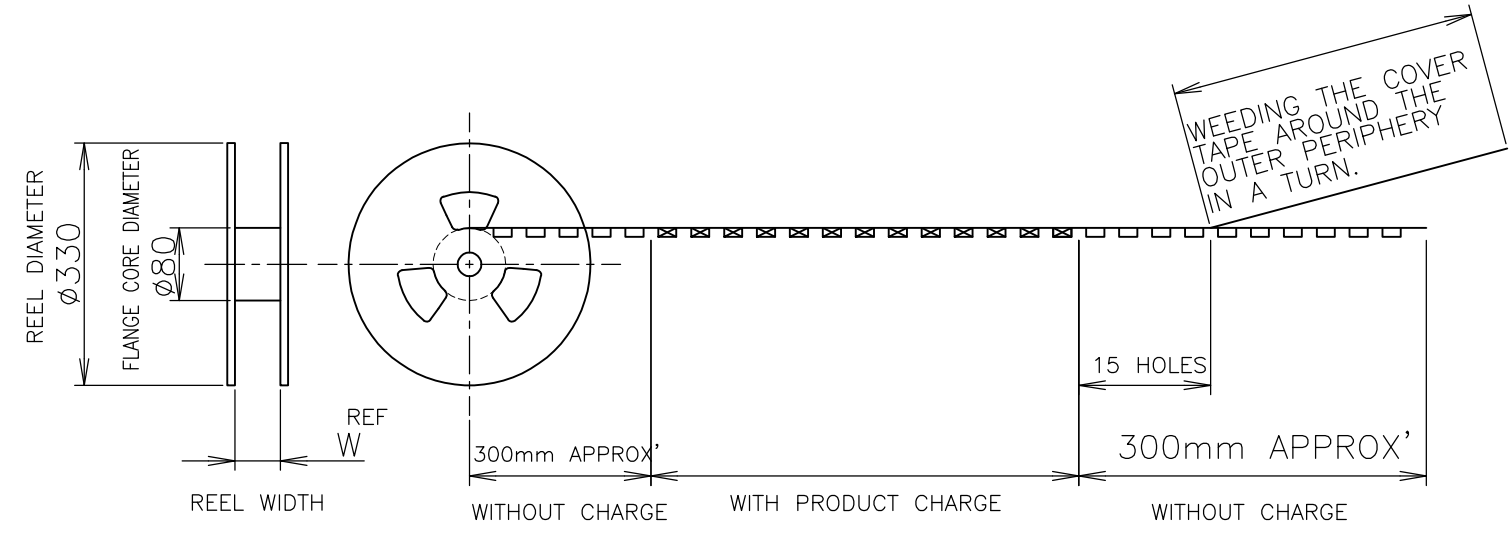
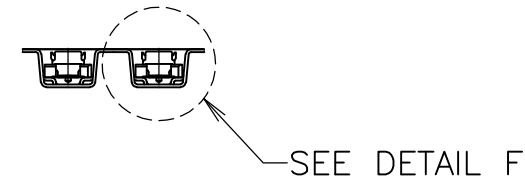
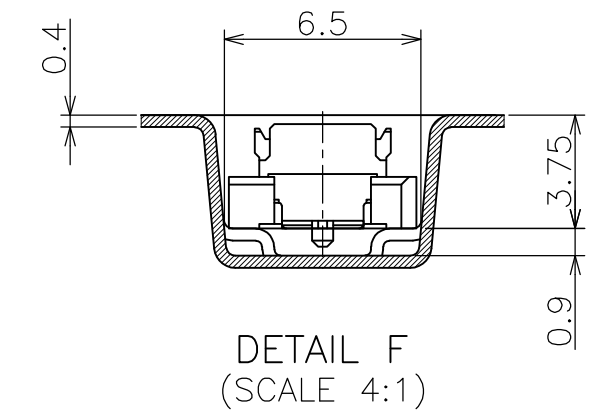
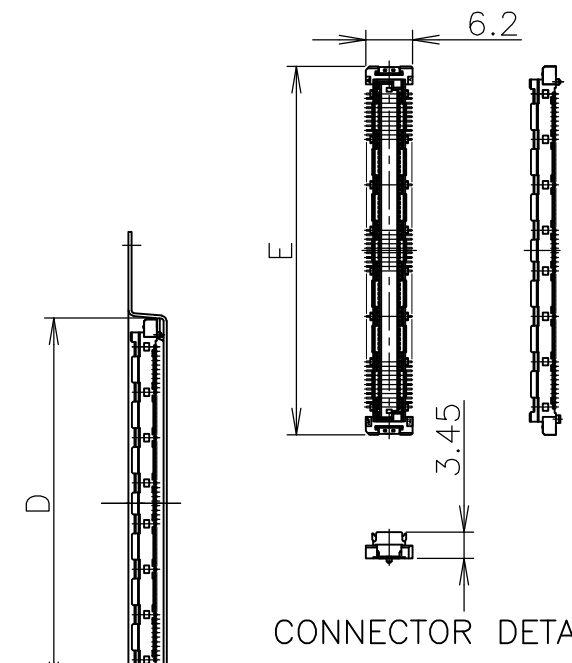
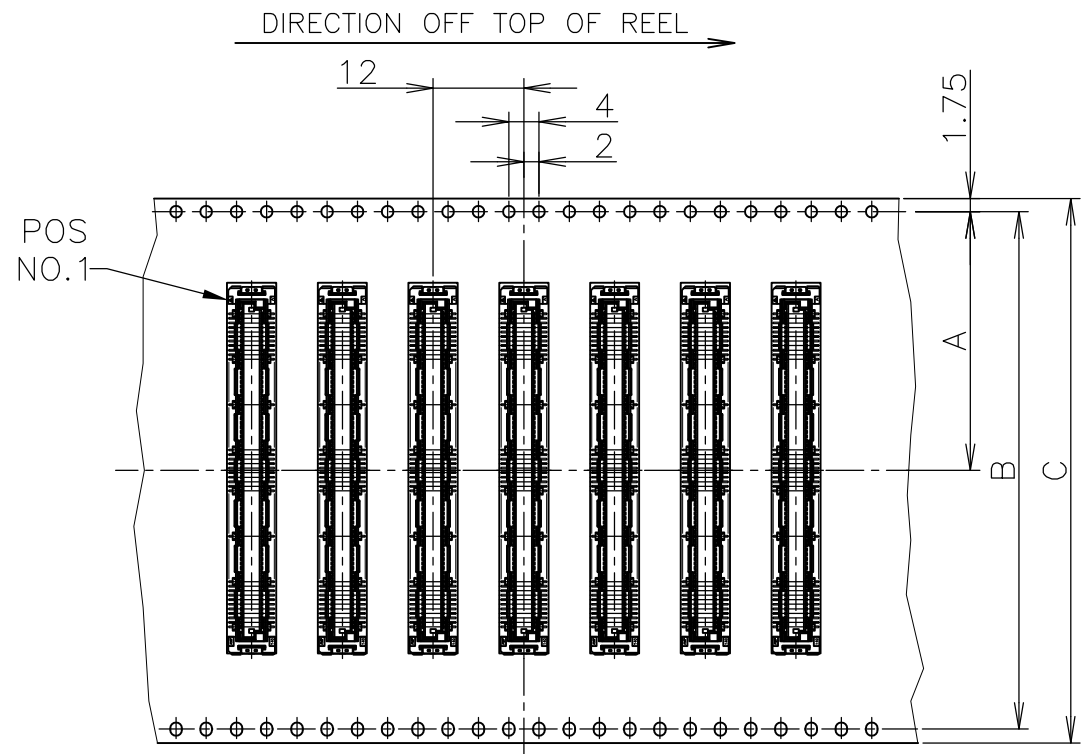
Email & Skype: info@chipsmall.com Web: www.chipsmall.com

Address: A1208, Overseas Decoration Building, #122 Zhenhua RD., Futian, Shenzhen, China



THIS DRAWING IS UNPUBLISHED. RELEASED FOR PUBLICATION JUN , 1996.
 © COPYRIGHT 1996 By - ALL RIGHTS RESERVED.

LOC	DIST	REVISIONS			DATE	DWN	APVD
J		P	LTR	DESCRIPTION			
		B1	REVISED	ECR-15-012060	14SEP2015	I.T	W.H



WEEDING THE COVER TAPE AROUND THE OUTER PERIPHERY IN A TURN.

HOUSING COLOR	SEALANT	TOOLING STATUS	QTY.	W	E	D	C	B	A	POS.	PART NO.			
BLACK	SEALANT	AVAILABLE	1000	77.5	48.7	49	72	68.4	34.2	140	8-5353183-0			
		NOT AVAILABLE		77.5	54.7	55	72	68.4	34.2	160	6-5353183-1			
		AVAILABLE		77.5	48.7	49	72	68.4	34.2	140	6-	-0		
		NOT AVAILABLE		61.5	42.7	43	56	52.4	26.2	120	5-	-9		
		AVAILABLE		61.5	36.7	37	56	52.4	26.2	100	5-	-8		
		NOT AVAILABLE		61.5	33.7	34	56	52.4	26.2	90	5-	-7		
				49.5	30.7	31	44	40.4	20.2	80	5-	-6		
				49.5	27.7	28	44	40.4	20.2	70	5-	-5		
				49.5	24.7	25	44	40.4	20.2	60	5-	-4		
				37.5	21.7	22	32	28.4	14.2	50	5-	-3		
				37.5	18.7	19	32	28.4	14.2	40	5-	-2		
		NATURAL	NON SEALANT	NOT AVAILABLE	1000	29.5	15.7	16	24	11.5	30		5-5353183-1	
				NOT AVAILABLE	1000	77.5	54.7	55	72	68.4	34.2	160	1-	5353183-1
				AVAILABLE		77.5	48.7	49	72	68.4	34.2	140	1-	-0
NOT AVAILABLE				61.5	42.7	43	56	52.4	26.2	120		-9		
AVAILABLE				61.5	36.7	37	56	52.4	26.2	100		-8		
NOT AVAILABLE				61.5	33.7	34	56	52.4	26.2	90		-7		
				49.5	30.7	31	44	40.4	20.2	80		-6		
				49.5	27.7	28	44	40.4	20.2	70		-5		
				49.5	24.7	25	44	40.4	20.2	60		-4		
				37.5	21.7	22	32	28.4	14.2	50		-3		
		37.5	18.7	19	32	28.4	14.2	40		-2				
		NOT AVAILABLE	1000	29.5	15.7	16	24	11.5	30		5353183-1			

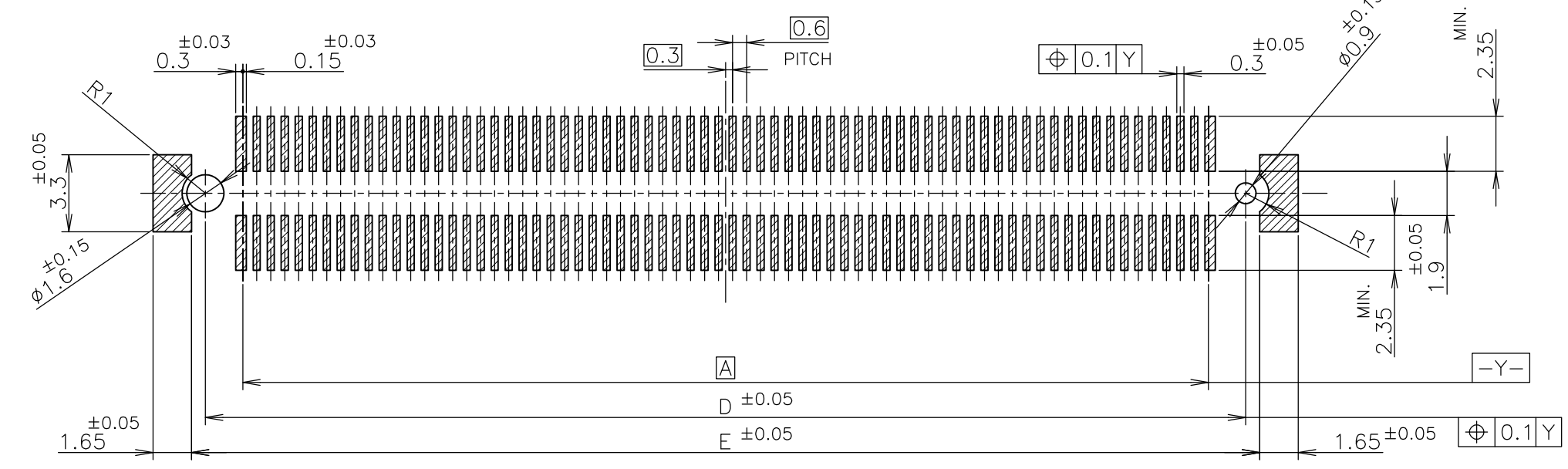
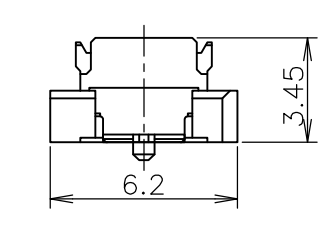
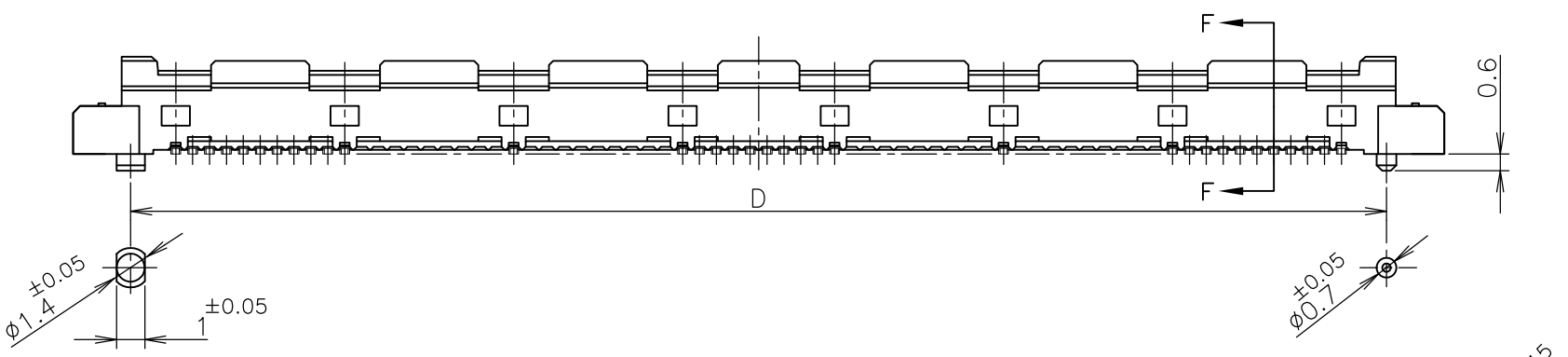
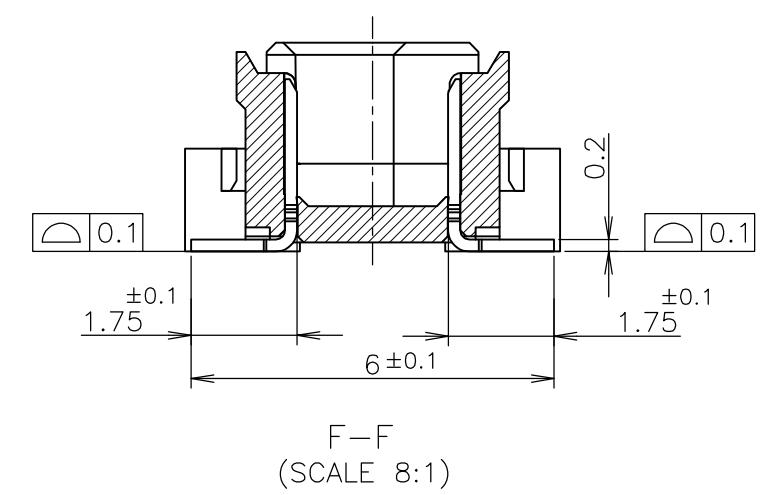
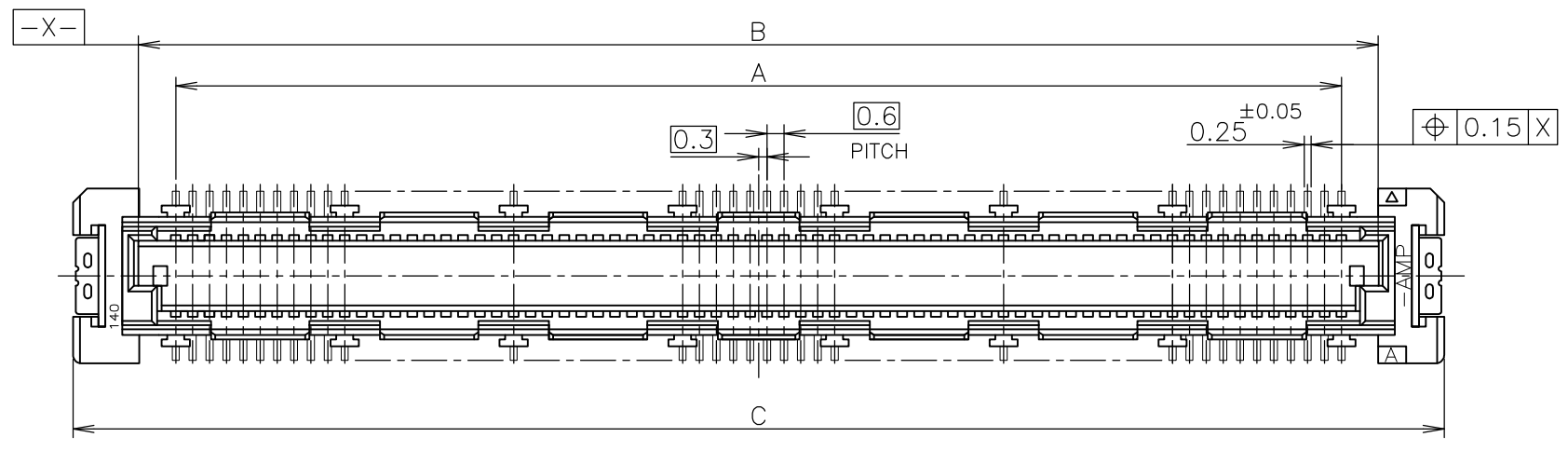
3 THIS PRODUCT WAS COATED BY FLUX-PENETRATION -INHIDITING AGENT.

THIS DRAWING IS A CONTROLLED DOCUMENT.

DIMENSIONS: 單位: 耗 mm	TOLERANCES UNLESS OTHERWISE SPECIFIED: 一般公差	DWN HAWKING HE 20DEC04	 TE Connectivity
	0 PLC ± 0.2 1 PLC ± 0.2 2 PLC ± 0.2 3 PLC ± 0.2 4 PLC ± 0.2 ANGLES ± 5°	CHK STEVEN YAO 20DEC04	
		APVD I.ENOMOTO 20DEC04	
		PRODUCT SPEC 製品規格 108-60047	
MATERIAL 材料	FINISH 仕上	APPLICATION SPEC 取付適用規格 114-5255	NAME 名称
		WEIGHT	EMBOSS ASSY
		CUSTOMER DRAWING	FH 0.6BTB CONNECTOR
			PLUG 4H STD TYPE
			SIZE A3
			CAGE CODE 00779
			DRAWING NO G-5353183
			RESTRICTED TO
			SCALE 1:1
			SHEET 1 OF 2
			REV B1

THIS DRAWING IS UNPUBLISHED. RELEASED FOR PUBLICATION JUN , 1996.
 © COPYRIGHT 1996 By - ALL RIGHTS RESERVED.

LOC	DIST	REVISIONS					
J		P	LTR	DESCRIPTION	DATE	DWN	APVD
		-		SEE SHEET 1	-	-	-



△ MATERIAL ; HOUSING : HIGH TEMP THERMO PLASTIC UL94V-0
 CONTACT : COPPER ALLOY
 △ FINISH ; UNDER PL Ni 0.0013mm MIN ALL OVER.
 CONTACT AREA 0.0002 MIN Au PL.
 SOLDERING AREA 0.001 MIN TIN PL.

REFERENCE P.C.BOARD LAYOUT

ACTIVE	AVAILABLE	51.8	50.6	54.7	50	47.4	160
ACTIVE	AVAILABLE	45.8	44.6	48.7	44	41.4	140
OBSOLETE	NOT AVAILABLE	39.8	38.6	42.7	38	35.4	120
ACTIVE	AVAILABLE	33.8	32.6	36.7	32	29.4	100
OBSOLETE	NOT AVAILABLE	30.8	29.6	33.7	29	26.4	90
OBSOLETE	NOT AVAILABLE	27.8	26.6	30.7	26	23.4	80
ACTIVE	AVAILABLE	24.8	23.6	27.7	23	20.4	70
ACTIVE	AVAILABLE	21.8	20.6	24.7	20	17.4	60
ACTIVE	AVAILABLE	18.8	17.6	21.7	17	14.4	50
OBSOLETE	NOT AVAILABLE	15.8	14.6	18.7	14	11.4	40
OBSOLETE	NOT AVAILABLE	12.8	11.6	15.7	11	8.4	30
STATUS	TOOLING STATUS	E	D	C	B	A	POS

THIS DRAWING IS A CONTROLLED DOCUMENT.		DWN	TE Connectivity		
DIMENSIONS: 單位: 耗 mm		CHK			
TOLERANCES UNLESS OTHERWISE SPECIFIED: 一般公差		APVD			
0 PLC ± 0.3 1 PLC ± 0.3 2 PLC ± 0.3 3 PLC ± 0.3 4 PLC ± 0.3 ANGLES ± 3°		NAME 名称			
MATERIAL 材料		WEIGHT	EMBOSS ASSY		
FINISH 仕上		CUSTOMER DRAWING	FH 0.6BTB CONNECTOR		
△ 1		SCALE 尺度 4:1	PLUG 4H STD TYPE		
△ 2		SHEET 2 OF 2	RESTRICTED TO		
		REV B1	SIZE A3 CAGE CODE 00779 DRAWING NO G-5353183		