



Chipsmall Limited consists of a professional team with an average of over 10 year of expertise in the distribution of electronic components. Based in Hongkong, we have already established firm and mutual-benefit business relationships with customers from,Europe,America and south Asia,supplying obsolete and hard-to-find components to meet their specific needs.

With the principle of “Quality Parts,Customers Priority,Honest Operation,and Considerate Service”,our business mainly focus on the distribution of electronic components. Line cards we deal with include Microchip,ALPS,ROHM,Xilinx,Pulse,ON,Everlight and Freescale. Main products comprise IC,Modules,Potentiometer,IC Socket,Relay,Connector.Our parts cover such applications as commercial,industrial, and automotives areas.

We are looking forward to setting up business relationship with you and hope to provide you with the best service and solution. Let us make a better world for our industry!



## Contact us

Tel: +86-755-8981 8866 Fax: +86-755-8427 6832

Email & Skype: info@chipsmall.com Web: www.chipsmall.com

Address: A1208, Overseas Decoration Building, #122 Zhenhua RD., Futian, Shenzhen, China



4

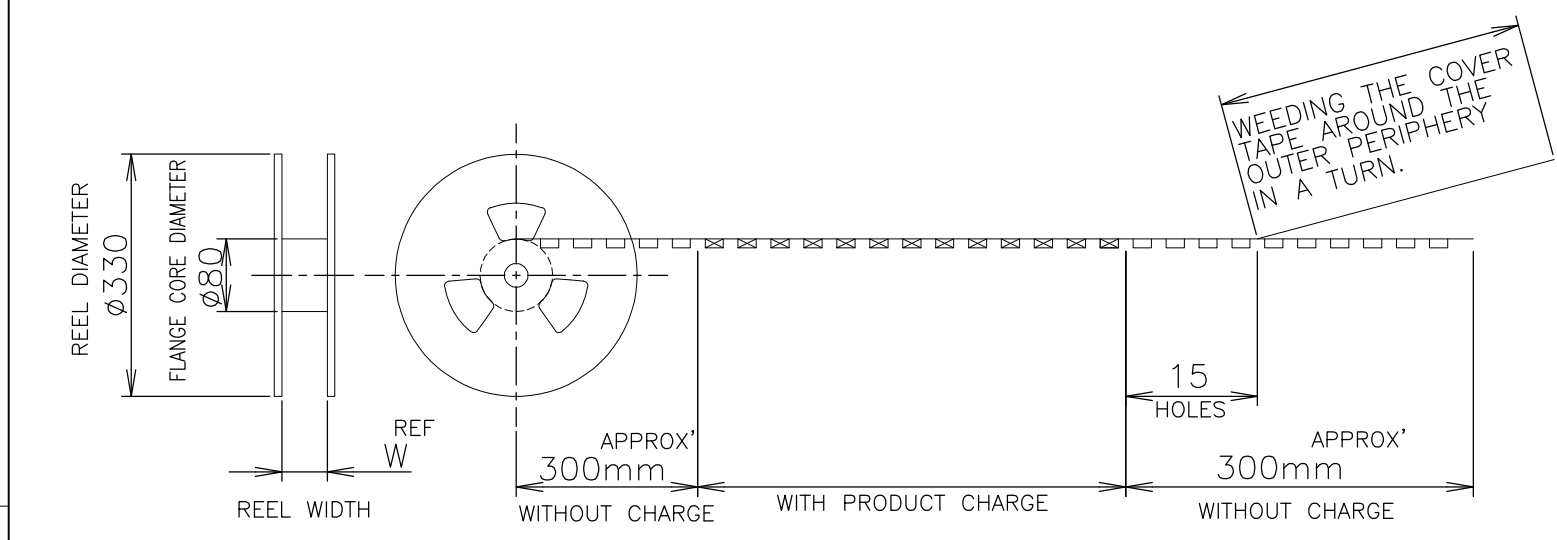
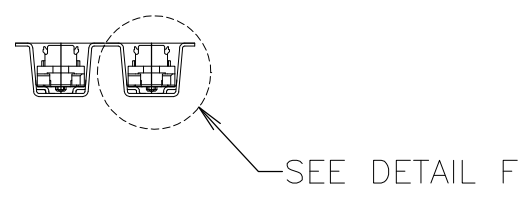
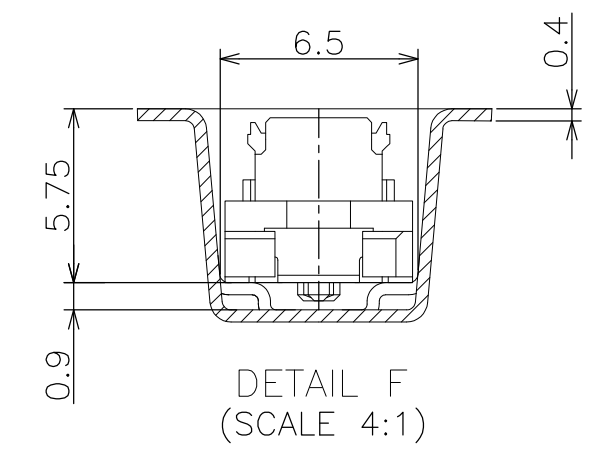
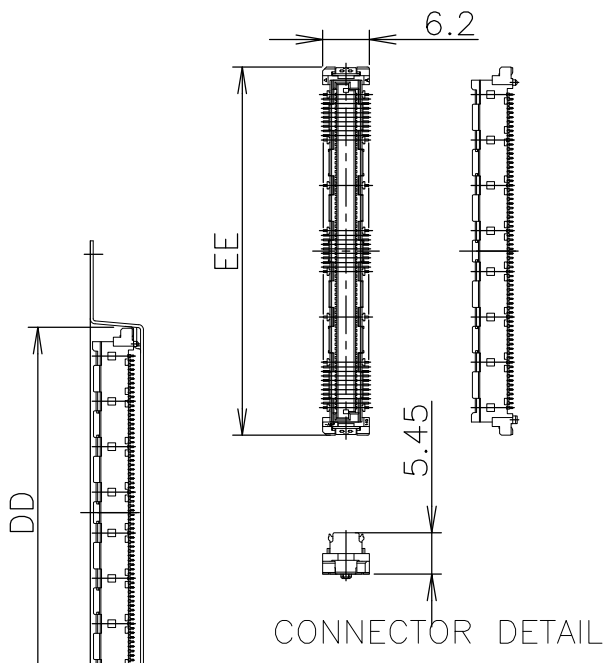
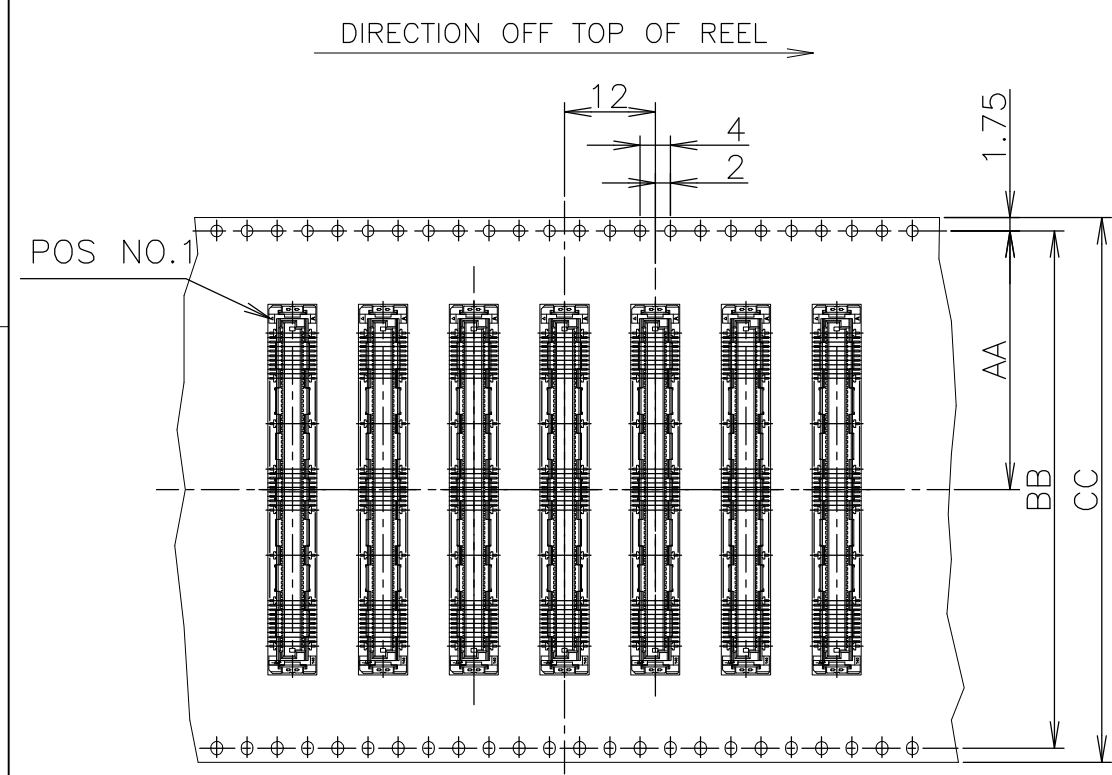
3

2

1

THIS DRAWING IS UNPUBLISHED. RELEASED FOR PUBLICATION JUN , 1996.  
 © COPYRIGHT 1996 BY TYCO ELECTRONICS CORPORATION. ALL RIGHTS RESERVED.

LOC	DIST	REVISIONS					
		P	LTR	DESCRIPTION	DATE	DWN	APVD
J		B		REVISED ECR-08-000339	01FEB08	T.T	T.F



SEALANT	TOOLING STATUS	QTY.	W	EE	DD	CC	BB	AA	POS.	PART NO.
NOT AVAILABLE		800	77.5	54.7	55	72	68.4	34.2	160	6-5353185-1
AVAILABLE			77.5	48.7	49	72	68.4	34.2	140	6- -0
NOT AVAILABLE			61.5	42.7	43	56	52.4	26.2	120	5- -9
NOT AVAILABLE			61.5	36.7	37	56	52.4	26.2	100	5- -8
NOT AVAILABLE			61.5	33.7	34	56	52.4	26.2	90	5- -7
NOT AVAILABLE			49.5	30.7	31	44	40.4	20.2	80	5- -6
AVAILABLE			49.5	27.7	28	44	40.4	20.2	70	5- -5
NOT AVAILABLE			49.5	24.7	25	44	40.4	20.2	60	5- -4
NOT AVAILABLE			37.5	21.7	22	32	28.4	14.2	50	5- -3
NOT AVAILABLE			37.5	18.7	19	32	28.4	14.2	40	5- -2
NOT AVAILABLE		800	29.5	15.7	16	24	11.5		30	5-5353185-1
NON SEALANT		800	77.5	54.7	55	72	68.4	34.2	160	1-5353185-1
NON SEALANT			77.5	48.7	49	72	68.4	34.2	140	1- -0
NON SEALANT			61.5	42.7	43	56	52.4	26.2	120	-9
NON SEALANT			61.5	36.7	37	56	52.4	26.2	100	-8
NON SEALANT			61.5	33.7	34	56	52.4	26.2	90	-7
NON SEALANT			49.5	30.7	31	44	40.4	20.2	80	-6
NON SEALANT			49.5	27.7	28	44	40.4	20.2	70	-5
NON SEALANT			49.5	24.7	25	44	40.4	20.2	60	-4
NON SEALANT			37.5	21.7	22	32	28.4	14.2	50	-3
NON SEALANT			37.5	18.7	19	32	28.4	14.2	40	-2
NON SEALANT		800	29.5	15.7	16	24	11.5		30	5353185-1

THIS DRAWING IS A CONTROLLED DOCUMENT.

DWN LEO ZHOU 14DEC04  
 CHK STEVEN YAO 14DEC04  
 APVD I.ENOMOTO 14DEC04

NAME 名称  
 Tyco Electronics Corporation  
 Kawasaki, Japan

PRODUCT SPEC  
 製品規格  
 108-60047

APPLICATION SPEC  
 取付適用規格  
 114-5255

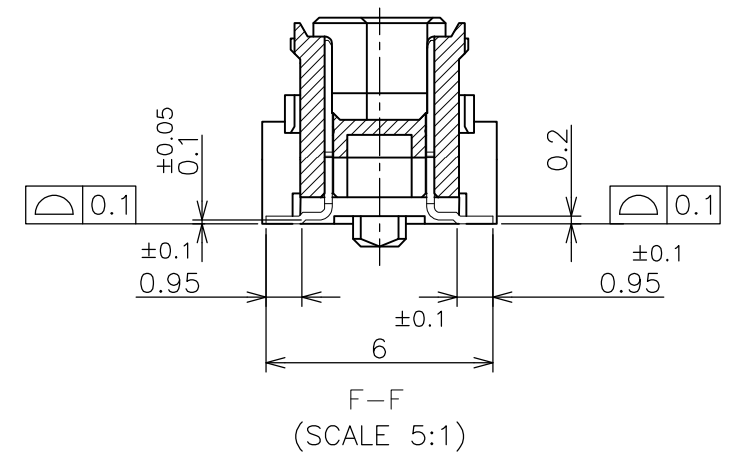
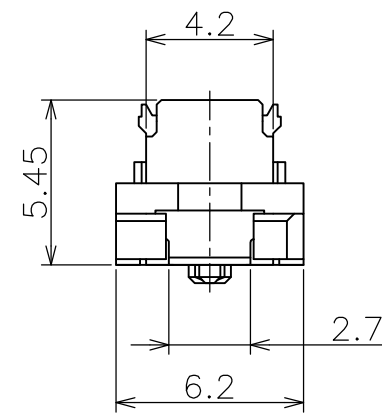
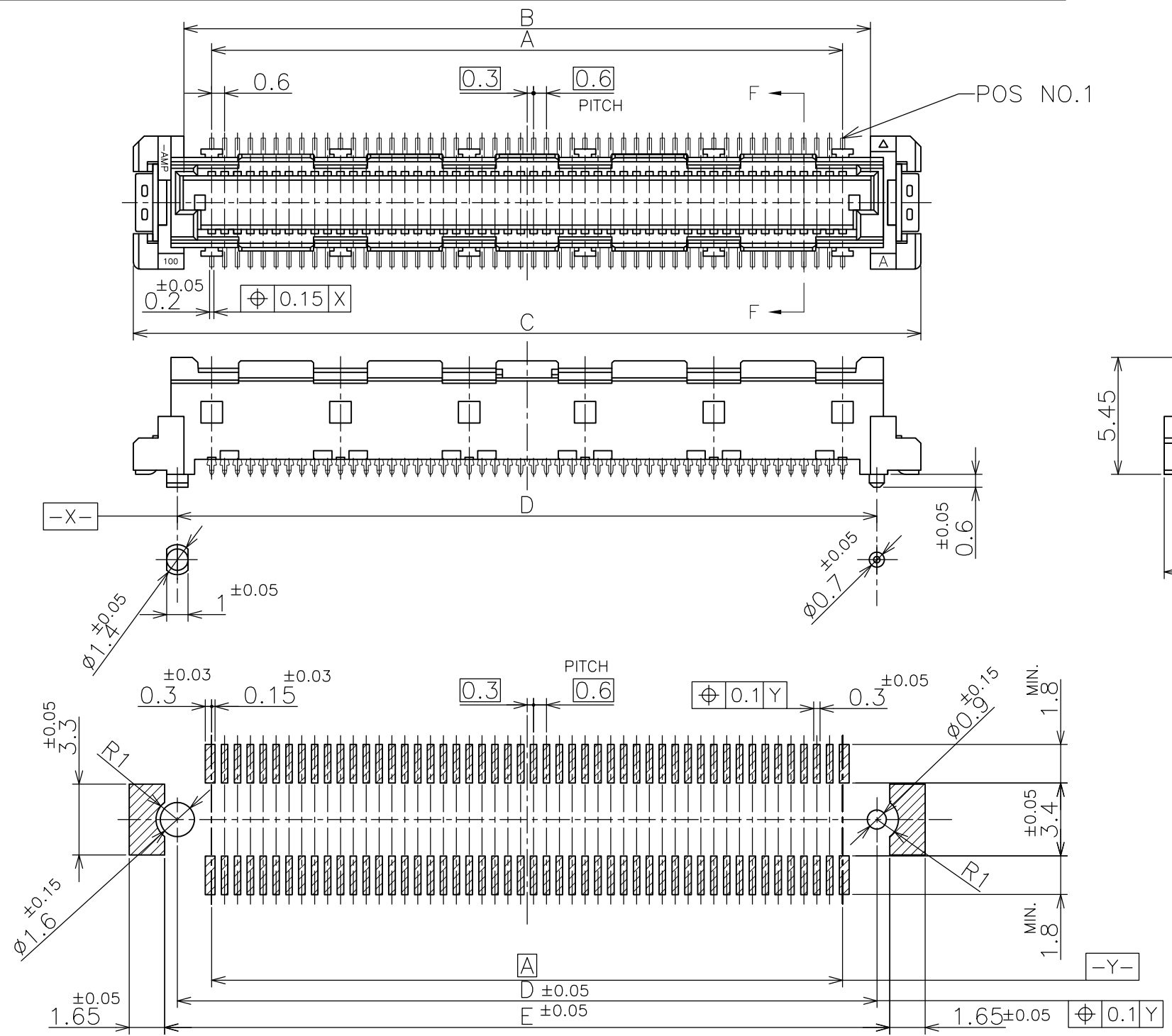
WEIGHT

EMBOSS ASSY  
 FH 0.6BTB CONNECTOR  
 PLUG 6H STD TYPE

SIZE A3 CAGE CODE 00779 DRAWING NO. 番号 G-5353185 RESTRICTED TO

CUSTOMER DRAWING SCALE 尺度 1:1 SHEET 1 OF 2 REV B

LOC	DIST	REVISIONS		
J		P	LTR	DESCRIPTION
				DATE
				DWN
				APVD
		SEE SHEET 1		



- △ MATERIAL : HOUSING : HIGH TEMP THERMO PLASTIC UL94V-0  
CONTACT : COPPER ALLOY
- △ FINISH : UNDER PL Ni 0.0013mm MIN ALL OVER.  
CONTACT AREA 0.0002 MIN Au PL.  
SOLDERING AREA 0.001 MIN TIN PL.
- △ PACKING ASSY DWG SEE SHEET 1.
- △ THIS PRODUCT WAS COATED BY FLUX-PENETRATION-INHIDTING AGENT.

REFERENCE P.C. BOARD LAYOUT  
(VIEW FROM CONN. MOUNTING SIDE)

51.8	50.6	54.7	50	47.4	160	1-5353185-1 & 6-5353185-1
45.8	44.6	48.7	44	41.4	140	1-5353185-0 & 6-5353185-0
39.8	38.6	42.7	38	35.4	120	↑ -9 & 5- ↑ -9
33.8	32.6	36.7	32	29.4	100	↑ -8 & 5- ↑ -8
30.8	29.6	33.7	29	26.4	90	↑ -7 & 5- ↑ -7
27.8	26.6	30.7	26	23.4	80	↑ -6 & 5- ↑ -6
24.8	23.6	27.7	23	20.4	70	↑ -5 & 5- ↑ -5
21.8	20.6	24.7	20	17.4	60	↑ -4 & 5- ↑ -4
18.8	17.6	21.7	17	14.4	50	↑ -3 & 5- ↑ -3
15.8	14.6	18.7	14	11.4	40	↑ -2 & 5- ↑ -2
12.8	11.6	15.7	11	8.4	30	5353185-1 & 5-5353185-1
E	D	C	B	A	POS	△ PART NO.

THIS DRAWING IS A CONTROLLED DOCUMENT.

DIMENSIONS: 単位: 耗 mm	TOLERANCES UNLESS OTHERWISE SPECIFIED: 一般公差
0 PLC ± 0.3	1 PLC ± 0.3
2 PLC ± 0.3	3 PLC ± 0.3
4 PLC ± 0.3	PLC ANGLES ± 3'
MATERIAL 材料	FINISH 仕上

DWN	Tyco Electronics Corporation Kawasaki, Japan
CHK	
APVD	
PRODUCT SPEC 製品規格	
APPLICATION SPEC 取付適用規格	NAME 名称  EMBOSS ASSY FH 0.6BTB CONNECTOR PLUG 6H STD TYPE
WEIGHT	SIZE A3 CAGE CODE 00779 DRAWING NO 番号 G-5353185 RESTRICTED TO
CUSTOMER DRAWING	SCALE 尺度 4:1 SHEET 2 OF 2 REV B