



Chipsmall Limited consists of a professional team with an average of over 10 year of expertise in the distribution of electronic components. Based in Hongkong, we have already established firm and mutual-benefit business relationships with customers from,Europe,America and south Asia,supplying obsolete and hard-to-find components to meet their specific needs.

With the principle of “Quality Parts,Customers Priority,Honest Operation,and Considerate Service”,our business mainly focus on the distribution of electronic components. Line cards we deal with include Microchip,ALPS,ROHM,Xilinx,Pulse,ON,Everlight and Freescale. Main products comprise IC,Modules,Potentiometer,IC Socket,Relay,Connector.Our parts cover such applications as commercial,industrial, and automotives areas.

We are looking forward to setting up business relationship with you and hope to provide you with the best service and solution. Let us make a better world for our industry!



Contact us

Tel: +86-755-8981 8866 Fax: +86-755-8427 6832

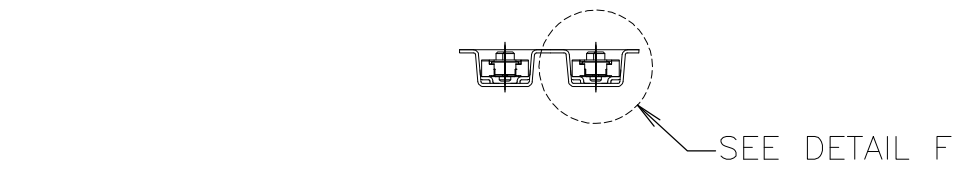
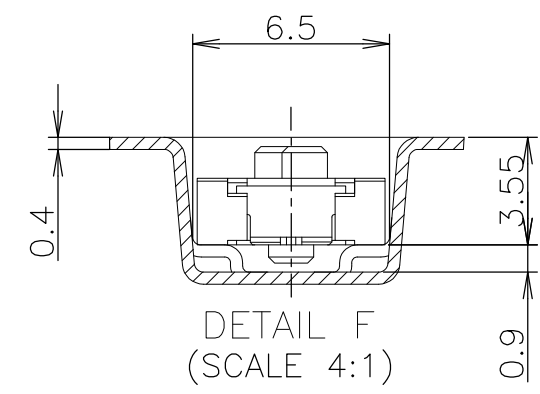
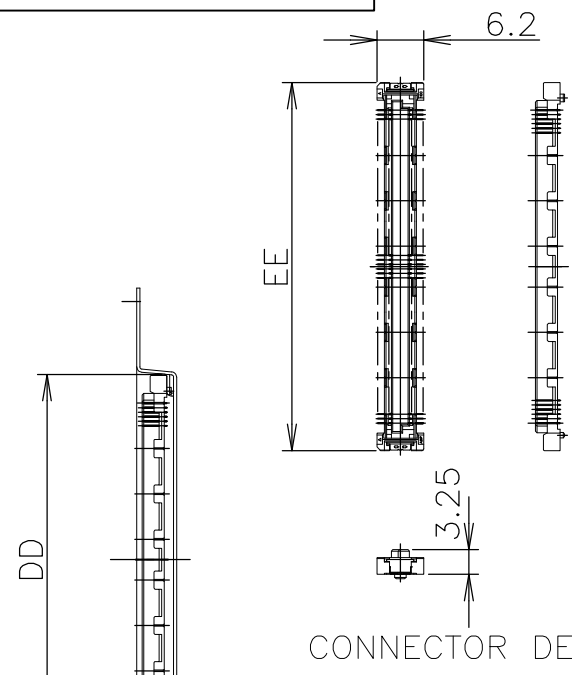
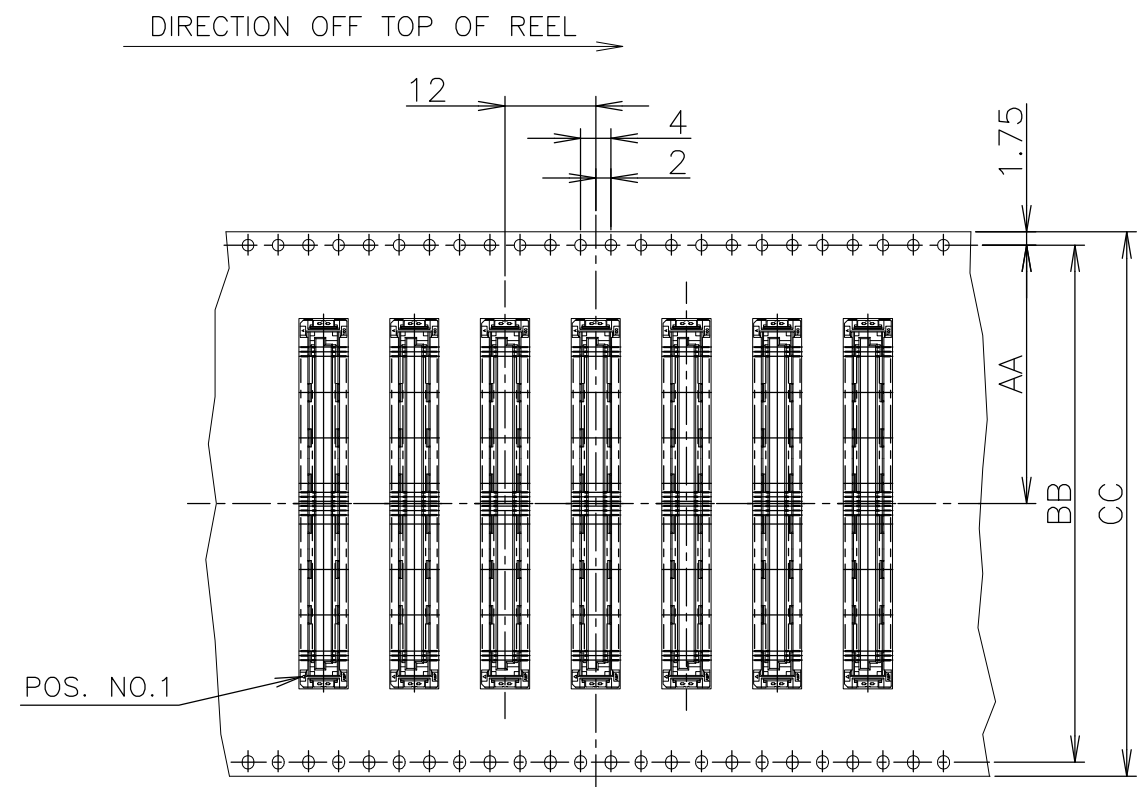
Email & Skype: info@chipsmall.com Web: www.chipsmall.com

Address: A1208, Overseas Decoration Building, #122 Zhenhua RD., Futian, Shenzhen, China

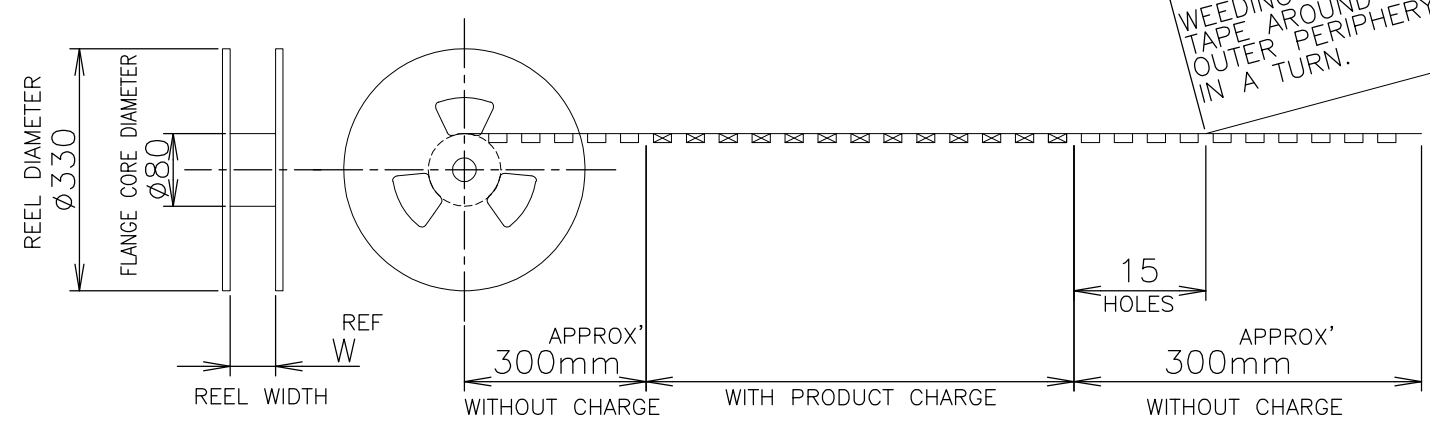


THIS DRAWING IS UNPUBLISHED. RELEASED FOR PUBLICATION JUN , 1996.
 © COPYRIGHT 1996 By - ALL RIGHTS RESERVED.

REVISIONS 變更					
P	LTR	DESCRIPTION	DATE	DWN	APVD
E		REVISED PER ECO-16-002717	5FEB2016	B.J.	S.Y.
E1		REVISED PER ECO-16-010364	18JUL2016	B.J	S.Y



WEEDING THE COVER TAPE AROUND THE OUTER PERIPHERY IN A TURN.



SEALANT	STATUS	QTY.	FINISH	W	EE	DD	CC	BB	AA	POS.	PART NO.
NOT AVAILABLE	1000	△		77.5	54.7	55	72	68.4	34.2	160	6-5353190-1
AVAILABLE				77.5	48.7	49	72	68.4	34.2	140	6- -0
NOT AVAILABLE				61.5	42.7	43	56	52.4	26.2	120	5- -9
AVAILABLE				61.5	36.7	37	56	52.4	26.2	100	5- -8
NOT AVAILABLE				61.5	33.7	34	56	52.4	26.2	90	5- -7
NOT AVAILABLE				49.5	30.7	31	44	40.4	20.2	80	5- -6
NOT AVAILABLE				49.5	27.7	28	44	40.4	20.2	70	5- -5
NOT AVAILABLE				49.5	24.7	25	44	40.4	20.2	60	5- -4
NOT AVAILABLE				37.5	21.7	22	32	28.4	14.2	50	5- -3
NOT AVAILABLE				37.5	18.7	19	32	28.4	14.2	40	5- -2
NOT AVAILABLE	1000	△		29.5	15.7	16	24	11.5	30		5-5353190-1
AVAILABLE	1000	△		77.5	48.7	49	72	68.4	34.2	140	4-5353190-0
AVAILABLE		△		61.5	36.7	37	56	52.4	26.2	100	3- -8
NOT AVAILABLE		△		77.5	54.7	55	72	68.4	34.2	160	1- -1
AVAILABLE				77.5	48.7	49	72	68.4	34.2	140	1- -0
NOT AVAILABLE				61.5	42.7	43	56	52.4	26.2	120	-9
AVAILABLE				61.5	36.7	37	56	52.4	26.2	100	-8
NOT AVAILABLE				61.5	33.7	34	56	52.4	26.2	90	-7
NOT AVAILABLE				49.5	30.7	31	44	40.4	20.2	80	-6
				49.5	27.7	28	44	40.4	20.2	70	-5
				49.5	24.7	25	44	40.4	20.2	60	-4
NOT AVAILABLE				37.5	21.7	22	32	28.4	14.2	50	-3
				37.5	18.7	19	32	28.4	14.2	40	-2
NOT AVAILABLE	1000	△		29.5	15.7	16	24	11.5	30		5353190-1

THIS DRAWING IS A CONTROLLED DOCUMENT.

DWN LEO ZHOU 16NOV04
 CHK STEVEN YAO 16NOV04
 APVD I.ENOMOTO 16NOV04

STE TE Connectivity

EMBOSS ASSY
 FH 0.6BTB CONNECTOR
 REC 4H WITH G-CONTACT

PRODUCT SPEC 108-60047
 APPLICATION SPEC 114-5255

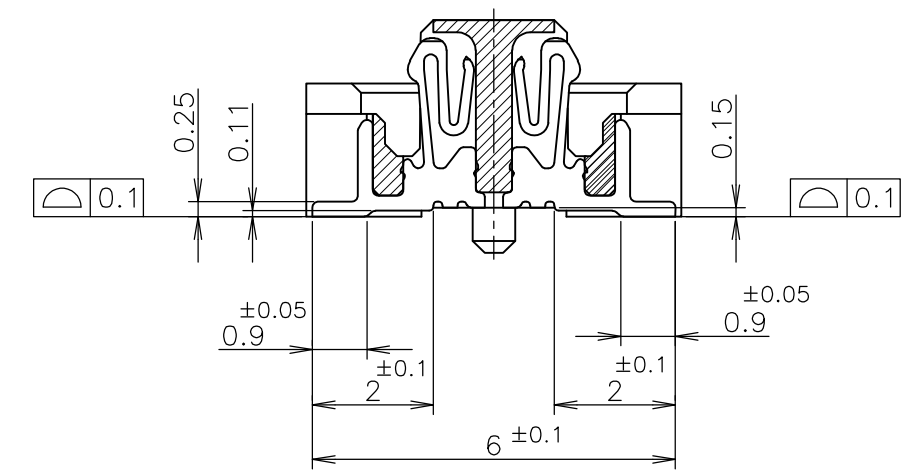
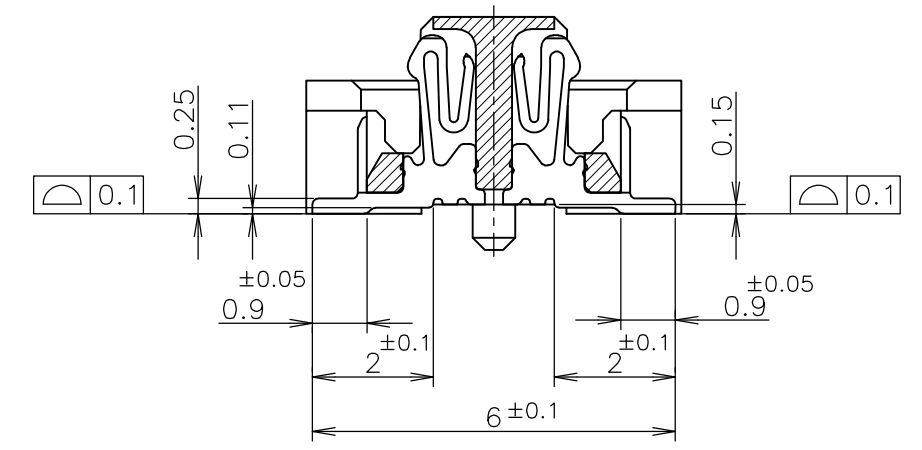
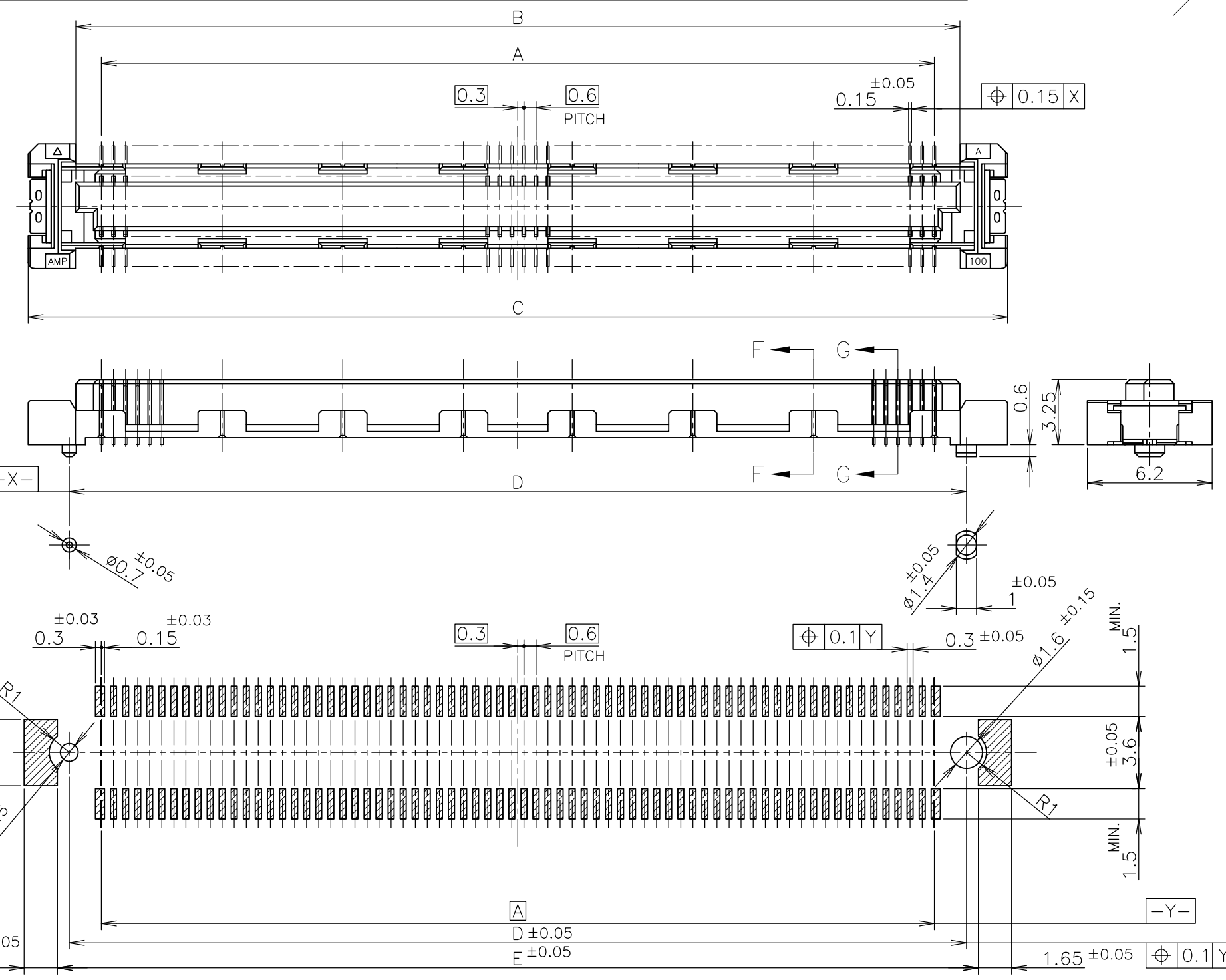
NAME 名称
 SIZE A3 CAGE CODE 00779 DRAWING NO 番号 G-5353190 RESTRICTED TO

MATERIAL 材料 1
 FINISH 仕上 2 6

WEIGHT
 CUSTOMER DRAWING SCALE 1:1 SHEET 1 OF 3 REV E1

THIS DRAWING IS UNPUBLISHED. RELEASED FOR PUBLICATION JUN , 1996.
 © COPYRIGHT 1996 By - ALL RIGHTS RESERVED.

REVISIONS 変更					
P	LTR	DESCRIPTION	DATE	DWN	APVD
-	-	SEE SHEET 1	-	-	-



45.8	44.6	48.7	44	41.4	140	4-5353190-0		
33.8	32.6	36.7	32	29.4	100	3-8		
51.8	50.6	54.7	50	47.4	160	1-1 & 6-5353190-1		
45.8	44.6	48.7	44	41.4	140	1-0 & 6-0		
39.8	38.6	42.7	38	35.4	120	-9 & 5-9		
33.8	32.6	36.7	32	29.4	100	-8 & 5-8		
30.8	29.6	33.7	29	26.4	90	-7 & 5-7		
27.8	26.6	30.7	26	23.4	80	-6 & 5-6		
24.8	23.6	27.7	23	20.4	70	-5 & 5-5		
21.8	20.6	24.7	20	17.4	60	-4 & 5-4		
18.8	17.6	21.7	17	14.4	50	-3 & 5-3		
15.8	14.6	18.7	14	11.4	40	-2 & 5-2		
12.8	11.6	15.7	11	8.4	30	5353190-1 & 5-5353190-1		
E	D	C	B	A	POS	PART NO.		

REFERENCE P.C. BOARD LAYOUT

THIS DRAWING IS A CONTROLLED DOCUMENT.		DWN	TE Connectivity EMBOSS ASSY FH 0.6BTB CONNECTOR REC 4H WITH G-CONTACT				
DIMENSIONS: 単位: 耗 mm		CHK					
TOLERANCES UNLESS OTHERWISE SPECIFIED: 一般公差		APVD					
0 PLC ± 0.3 1 PLC ± 0.3 2 PLC ± 0.3 3 PLC ± 0.3 4 PLC ± 0.3 ANGLES ± 3°		PRODUCT SPEC 製品規格					
MATERIAL 材料		WEIGHT	APPLICATION SPEC 取付適用規格	SIZE	CAGE CODE	DRAWING NO 番号	RESTRICTED TO
FINISH 仕上		CUSTOMER DRAWING	SCALE 尺度 4:1	A3	00779	G-5353190	-
			SHEET	2 OF 3		REV	E1

THIS DRAWING IS UNPUBLISHED.

RELEASED FOR PUBLICATION JUN , 1996.

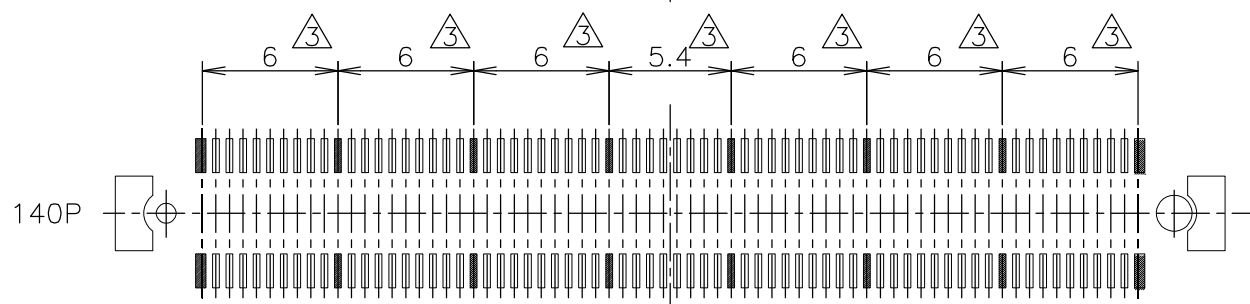
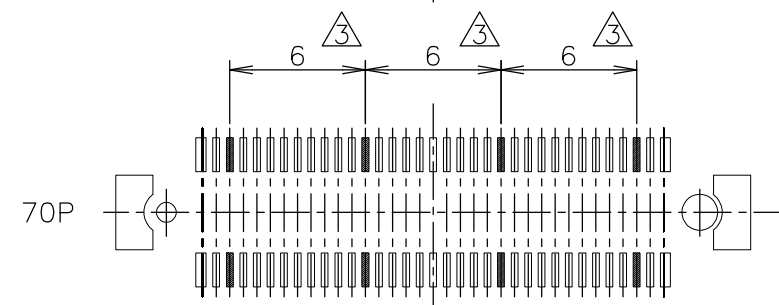
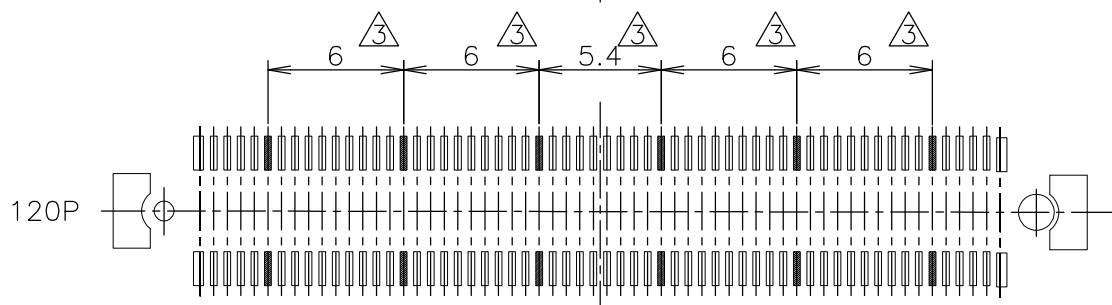
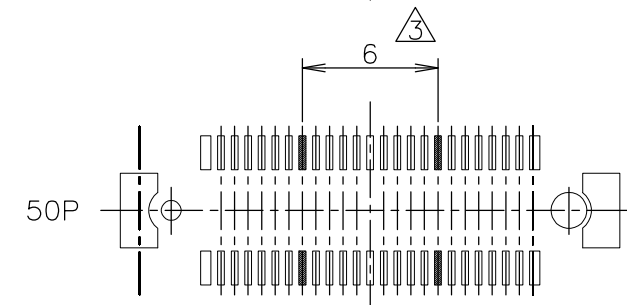
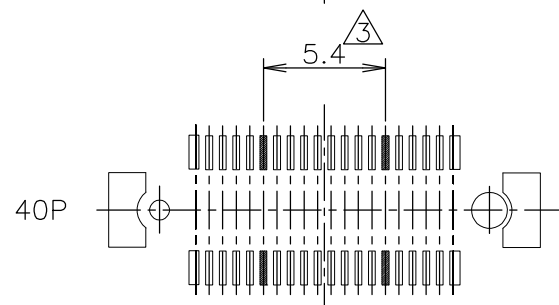
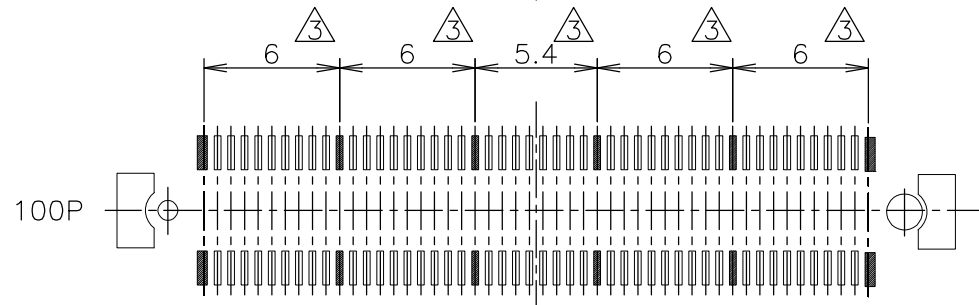
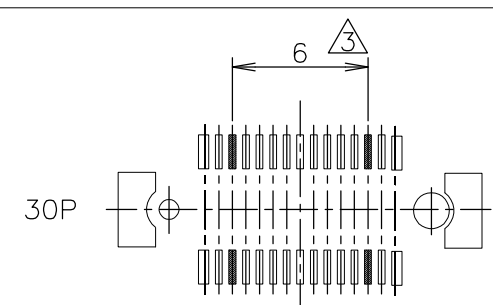
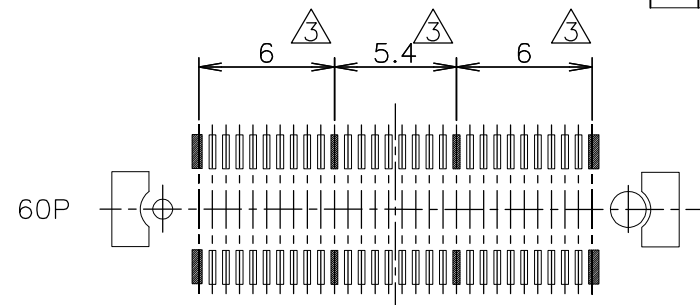
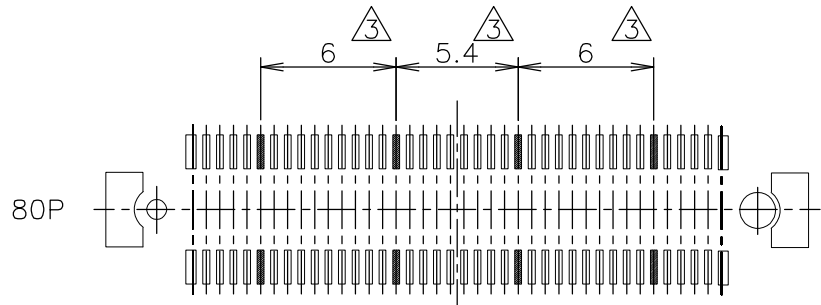
© COPYRIGHT 1996 By -

ALL RIGHTS RESERVED.

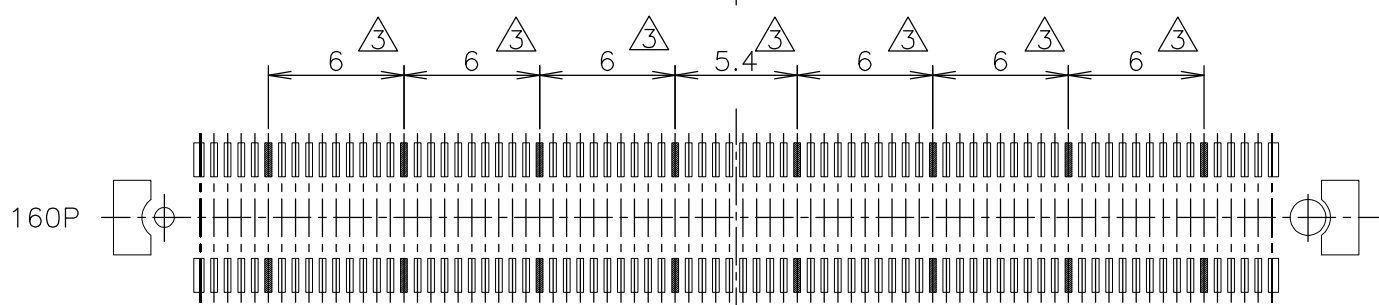
REVISIONS


変更

P	LTR	DESCRIPTION	DATE	DWN	APVD
-	-	SEE SHEET 1	-	-	-



- ① MATERIAL : HOUSING : HIGH TEMP THERMO PLASTIC, UL94V-0
CONTACT : COPPER ALLOY
- ② FINISH : UNDER PL Ni 0.0013mm MIN ALL OVER.
CONTACT AREA 0.0002mm MIN Au PL.
SOLDERING AREA: SIGNAL POS 0.00005mm MIN Au PL.
GROUND POS 0.001mm MIN TIN PL.
- ③ THIS POSITION IS GROUND CIRCUIT.
- ④ PACKING ASSY DWG SEE SHEET 1.
- ⑤ THIS PRODUCT WAS COATED BY FLUX-PENETRATION
-INHIDTING AGENT.
- ⑥ FINISH : UNDER PL Ni 0.0013mm MIN ALL OVER.
CONTACT AREA 0.00076mm MIN Au PL.
SOLDERING AREA: SIGNAL POS 0.00005mm MIN Au PL.
GROUND POS 0.001mm MIN TIN PL.



THIS DRAWING IS A CONTROLLED DOCUMENT.		DWN		 TE Connectivity	
DIMENSIONS: 単位: 耗 mm		CHK			
TOLERANCES UNLESS OTHERWISE SPECIFIED: 一般公差		APVD		NAME 名称	
0 PLC ± 0.3		PRODUCT SPEC 製品規格		EMBOSS ASSY	
1 PLC ± 0.3		APPLICATION SPEC 取付適用規格		FH 0.6BTB CONNECTOR	
2 PLC ± 0.3		WEIGHT		REC 4H WITH G-CONTACT	
3 PLC ± 0.3		CUSTOMER DRAWING		SIZE	
4 PLC ± 0.3		SCALE 3:1		CAGE CODE	
ANGLES ± 3'		SHEET 3 of 3		DRAWING NO	
FINISH 仕上		REV E1		番号	
MATERIAL 材料		RESTRICTED TO		A300779	
				G-5353190	