



Chipsmall Limited consists of a professional team with an average of over 10 year of expertise in the distribution of electronic components. Based in Hongkong, we have already established firm and mutual-benefit business relationships with customers from,Europe,America and south Asia,supplying obsolete and hard-to-find components to meet their specific needs.

With the principle of “Quality Parts,Customers Priority,Honest Operation,and Considerate Service”,our business mainly focus on the distribution of electronic components. Line cards we deal with include Microchip,ALPS,ROHM,Xilinx,Pulse,ON,Everlight and Freescale. Main products comprise IC,Modules,Potentiometer,IC Socket,Relay,Connector.Our parts cover such applications as commercial,industrial, and automotives areas.

We are looking forward to setting up business relationship with you and hope to provide you with the best service and solution. Let us make a better world for our industry!



Contact us

Tel: +86-755-8981 8866 Fax: +86-755-8427 6832

Email & Skype: info@chipsmall.com Web: www.chipsmall.com

Address: A1208, Overseas Decoration Building, #122 Zhenhua RD., Futian, Shenzhen, China



4

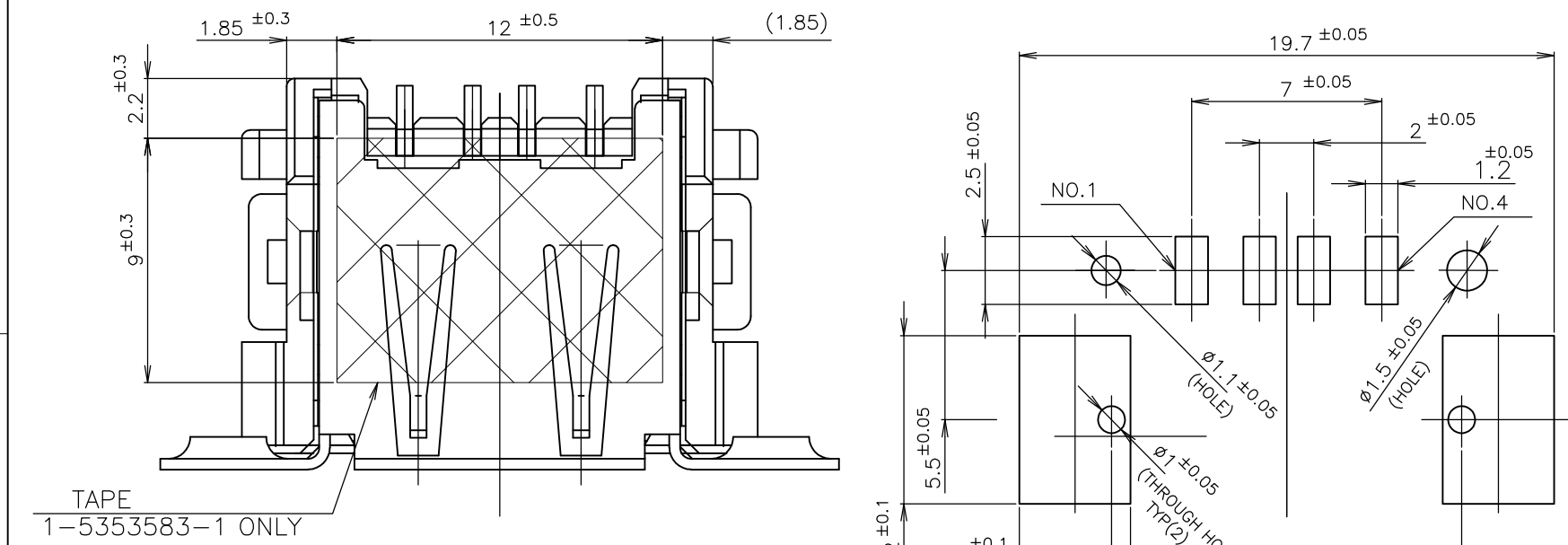
3

2

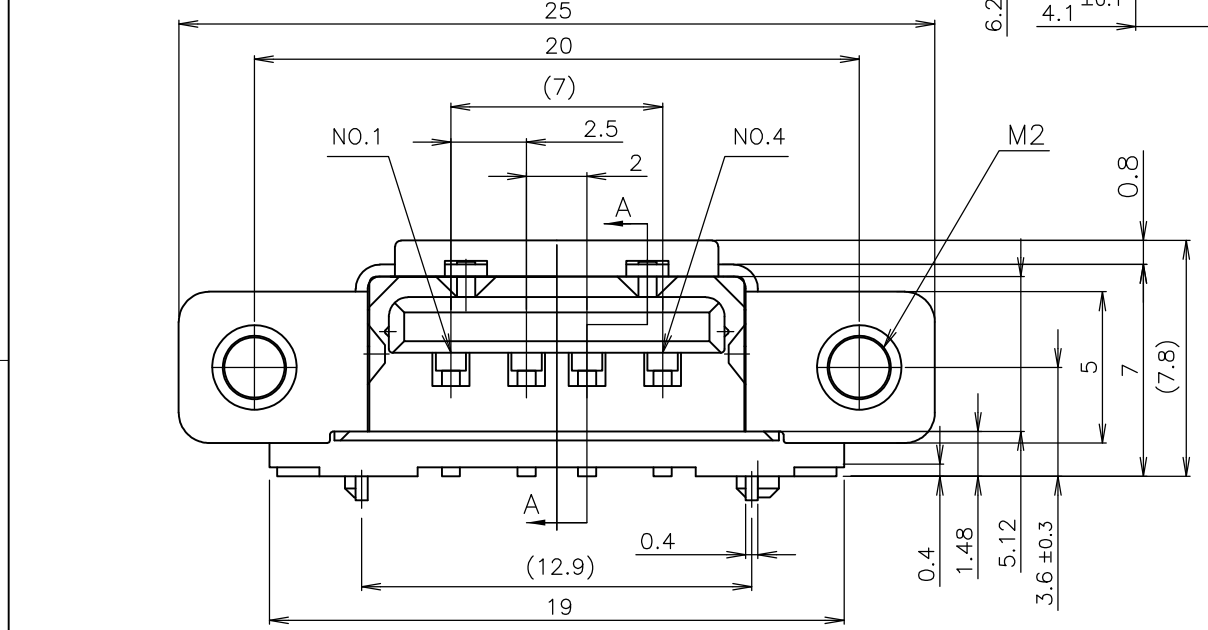
1

THIS DRAWING IS UNPUBLISHED. RELEASED FOR PUBLICATION
 © COPYRIGHT - By - ALL RIGHTS RESERVED.

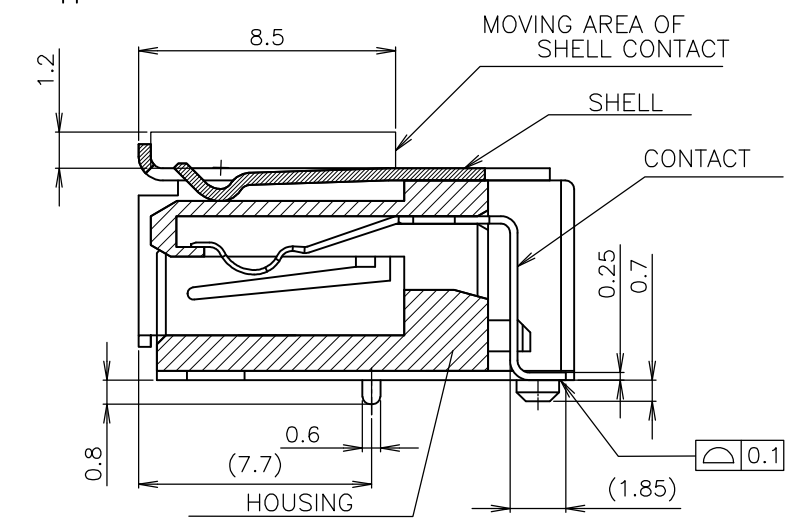
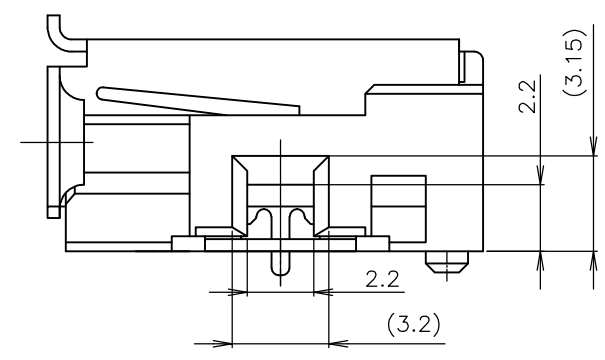
LOC		DIST		REVISIONS				
P	LTR	DESCRIPTION	DATE	DWN	APVD			
ES	00	A1	REVISED PER ECO-11-005033	29MAR11	RK	HMR		



- NOTES**
- 1. MATERIAL & FINISH
 CONTACT: COPPER ALLOY
 Au PL. ON Pd-Ni PL. AT CONTACT AREA OVER Ni PL.
 MATTE TIN PL. AT TINE AREA OVER Ni PL.
 HOUSING: THERMO-PLASTICS, UL94V-0
 SHELL : COPPER ALLOY, TIN PL.
 - 2. GENERAL TOLERANCE
 10 ≥ ±0.2
 30 ≥ >10 ±0.25
 100 ≥ >30 ±0.3
 ANGLES ±5°
 - 3. MATERIAL/PARTS WHICH ARE CONTAINED THE PROHIBITION
 SUBSTANCE FOR ENVIRONMENTAL RELATED SUBSTANCE CONTROL
 STANDARD EN-022 (ENVIRONMENT RELATED SUBSTANCE)
 MUST NOT USE IN PRODUCT AND MANUFACTURING PROCESS
 - 4. CADMIUM CONTENT: 5ppm UNDER

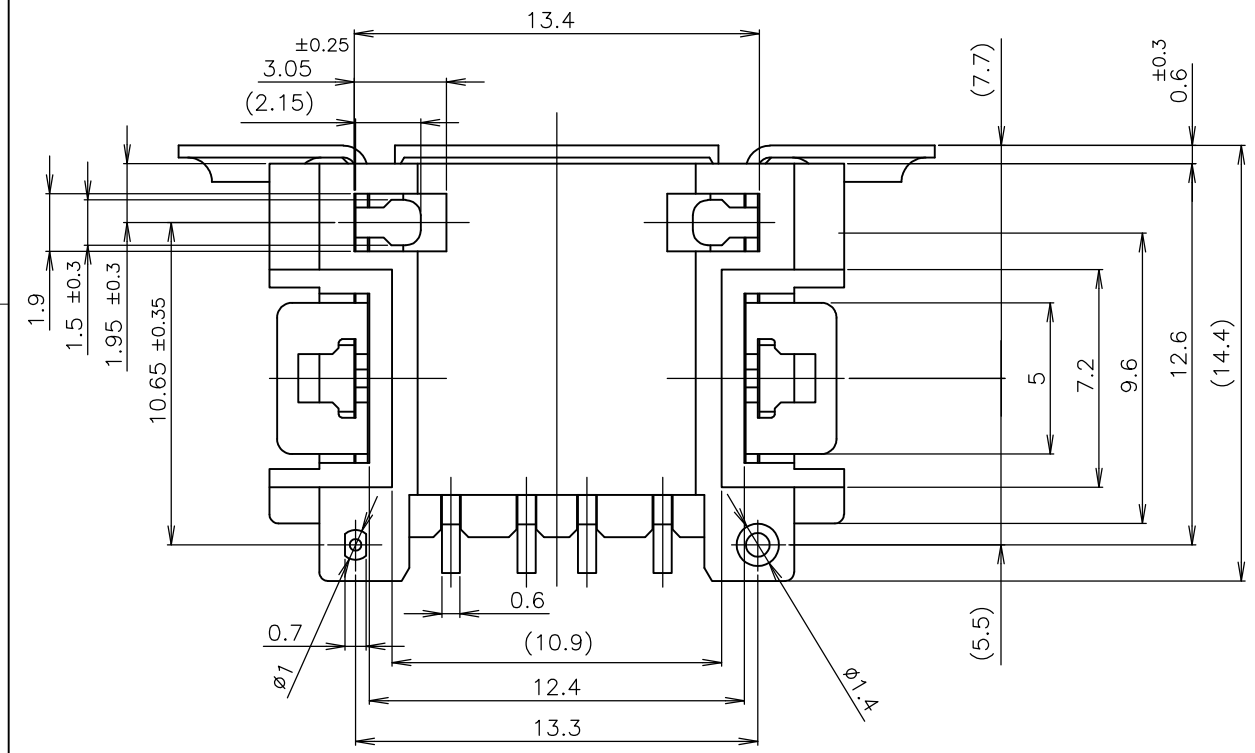


REFERENCE DIMENSION OF
 P.C.BOARD(MOUNTING SIDE)



SECTION A-A

5353583-1,2



WITH TAPE	BLACK	1-5353583-4
WITH OUT TAPE	BLACK	5353583-4
PRELIMINARY NOT FOR PRODUCTION	WHITE	5353583-3
PRELIMINARY NOT FOR PRODUCTION	BLACK	5353583-2
WITH TAPE	WHITE	1-5353583-1
WITH OUT TAPE	WHITE	5353583-1
REMARKS	HOUSING COLOR	PART NO.

THIS DRAWING IS A CONTROLLED DOCUMENT.		DWN	J.JIANG	23MAR04	 TE Connectivity	RECEPTACLE ASS'Y R/A SMT			RESTRICTED TO					
DIMENSIONS: MM 		CHK	S.YAO	23MAR04		STANDARD TYPE USB CONNECTOR								
		APVD	T.SASAKI	23MAR04		NAME								
TOLERANCES UNLESS OTHERWISE SPECIFIED: 0 PLC ± 1 PLC ± 2 PLC ± 3 PLC ± 4 PLC ± ANGLES ± FINISH ±		PRODUCT SPEC				SIZE	CAGE CODE	DRAWING NO						
MATERIAL		CUSTOMER DRAWING			WEIGHT	A300779		C=5353583	SCALE	4:1	SHEET	1 OF 2	REV	A1

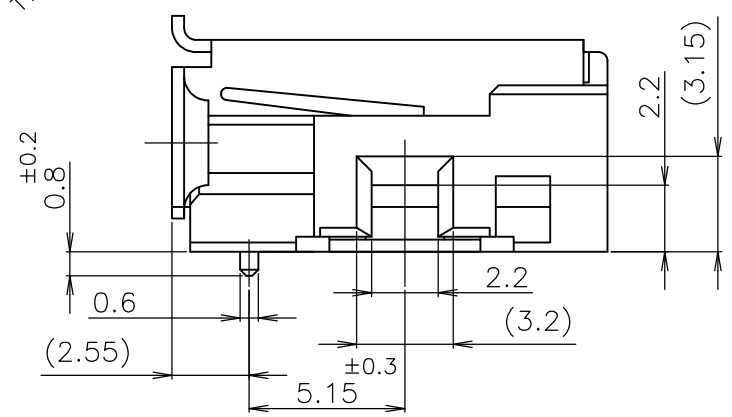
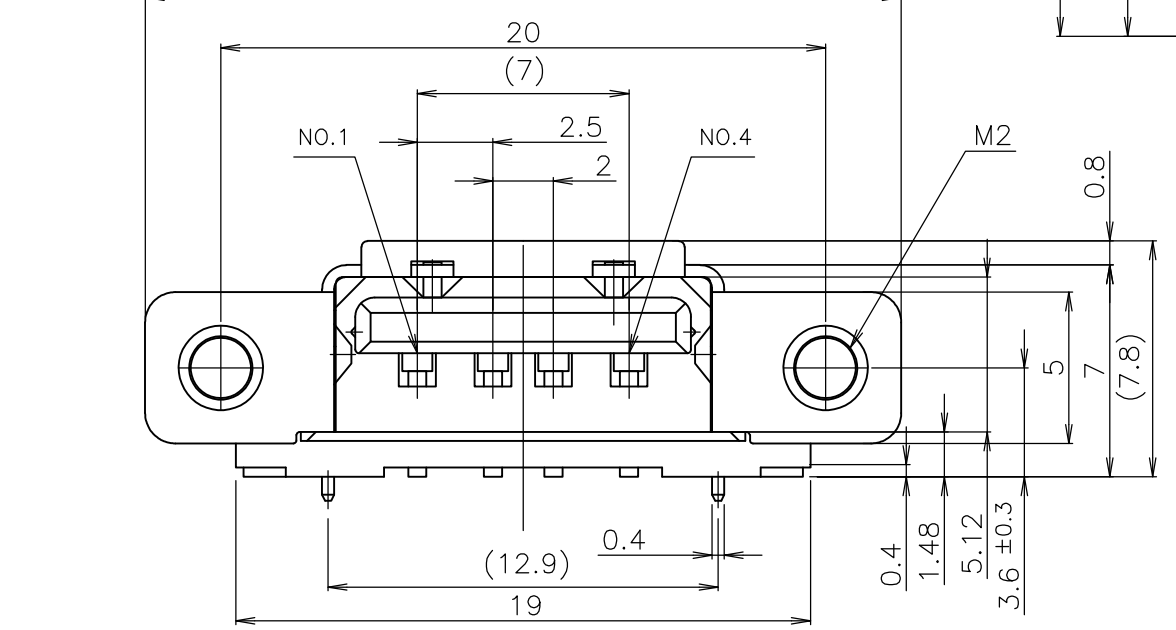
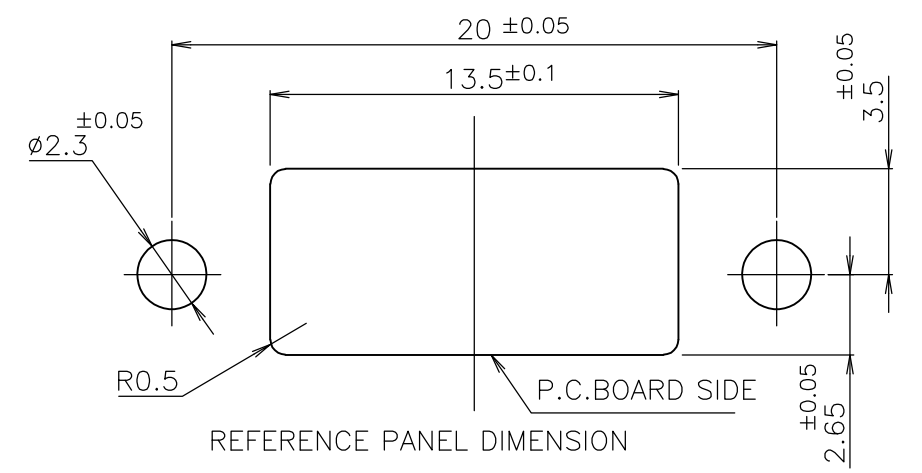
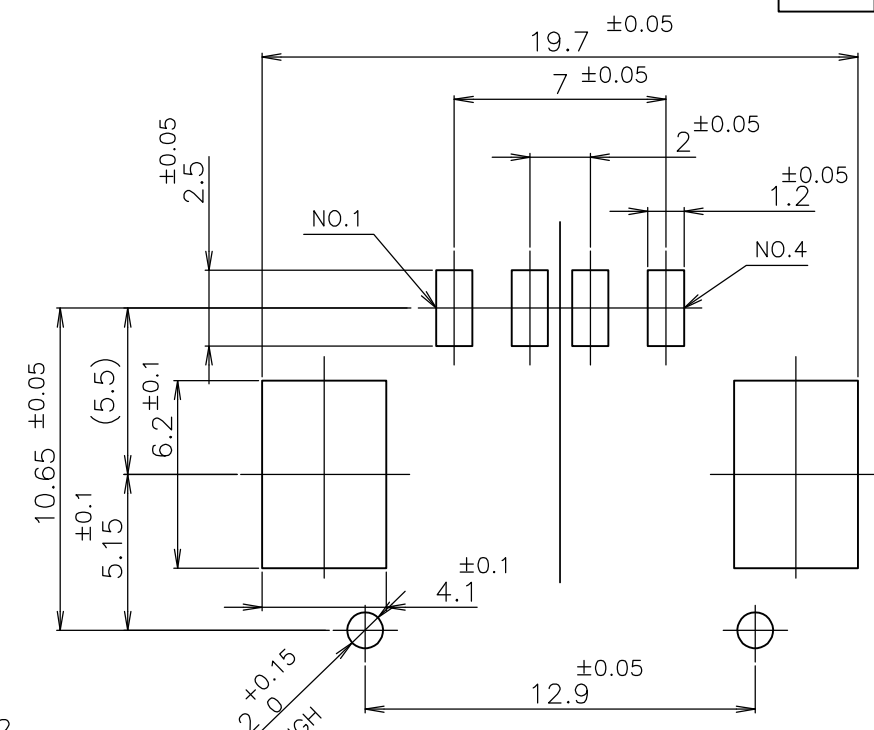
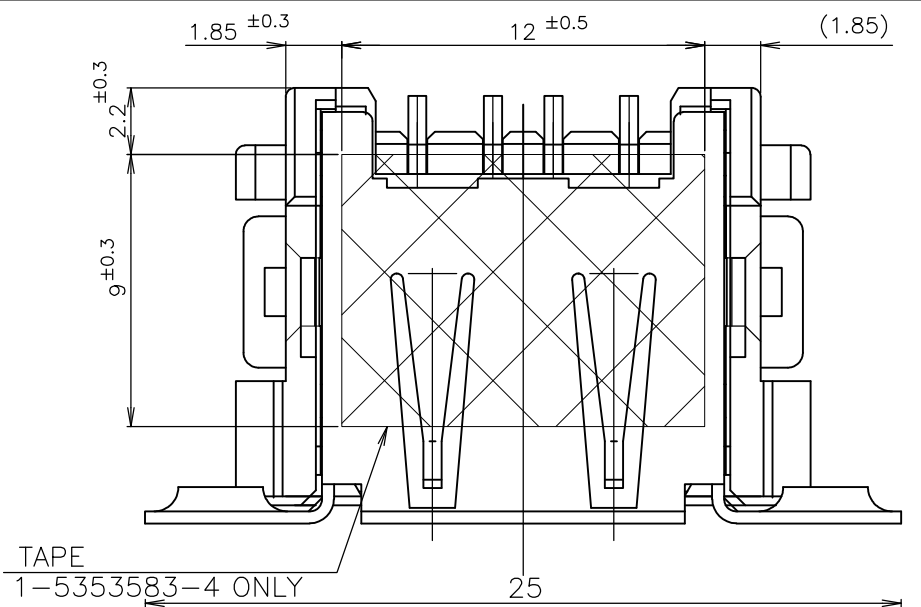
THIS DRAWING IS UNPUBLISHED. RELEASED FOR PUBLICATION

© COPYRIGHT - By - ALL RIGHTS RESERVED.

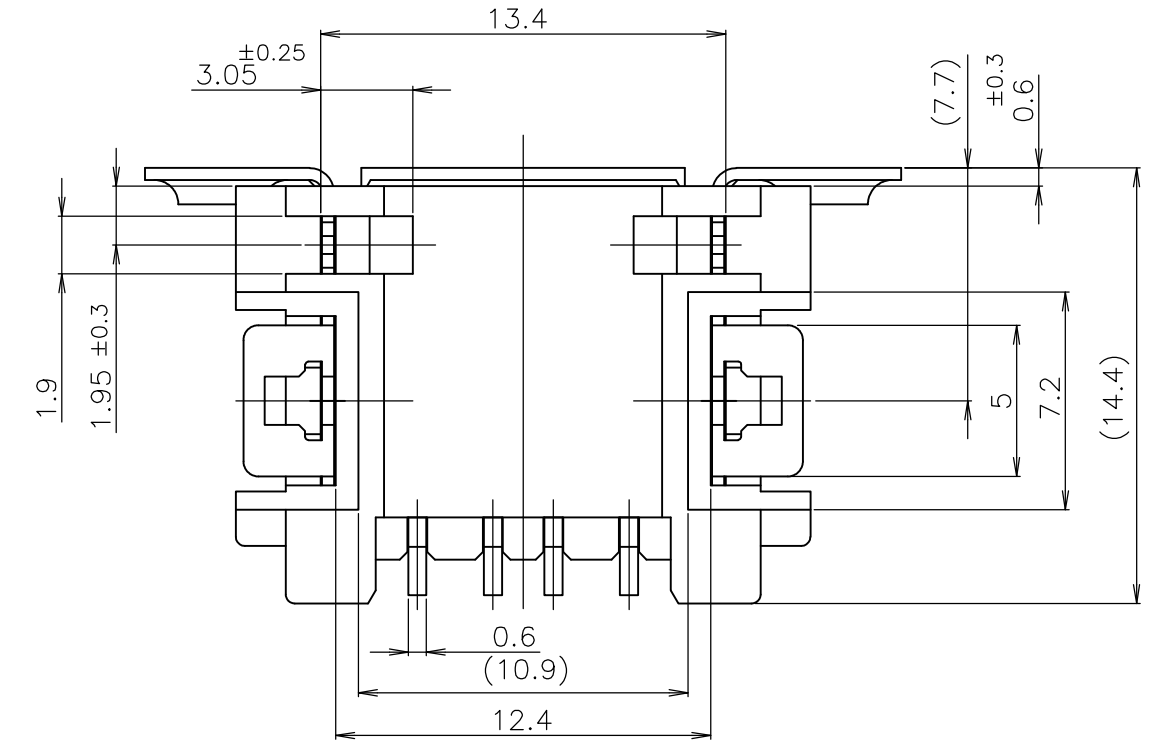
LOC ES DIST 00

REVISIONS

P	LTR	DESCRIPTION	DATE	DWN	APVD
-	-	SEE SHEET 1	-	-	-



- MATERIAL & FINISH**
 CONTACT: COPPER ALLOY
 Au PL. ON Pd-Ni PL. AT CONTACT AREA OVER Ni PL.
 MATTE TIN PL. AT TINE AREA OVER Ni PL.
 HOUSING: THERMO-PLASTICS, UL94V-0
 SHELL: COPPER ALLOY, TIN PL.
- 2 GENERAL TOLERANCE**
 10 ≥: ± 0.2
 30 ≥ > 10: ± 0.25
 100 ≥ > 30: ± 0.3
 ANGLES: ± 5°
- 3. MATERIAL/PARTS WHICH ARE CONTAINED THE PROHIBITION SUBSTANCE FOR ENVIRONMENTAL RELATED SUBSTANCE CONTROL STANDARD EN-022 (ENVIRONMENT RELATED SUBSTANCE) MUST NOT USE IN PRODUCT AND MANUFACTURING PROCESS**
- 4. CADMIUM CONTENT: 5ppm UNDER**



5353583-3,4

THIS DRAWING IS A CONTROLLED DOCUMENT.		DWN	STE TE Connectivity		
DIMENSIONS: MM		CHK			
TOLERANCES UNLESS OTHERWISE SPECIFIED:		APVD	RECEPTACLE ASS'Y R/A SMT STANDARD TYPE USB CONNECTOR		
0 PLC ±	TOLERANCES UNLESS OTHERWISE SPECIFIED: 0 PLC ± 1 PLC ± 2 PLC ± 3 PLC ± 4 PLC ± ANGLES ± FINISH	PRODUCT SPEC	SIZE CAGE CODE DRAWING NO RESTRICTED TO		
1 PLC ±		APPLICATION SPEC	A3 00779 C-5353583		
2 PLC ±		WEIGHT	CUSTOMER DRAWING SCALE 4:1 SHEET 2 OF 2 REV A1		
3 PLC ±					