



Chipsmall Limited consists of a professional team with an average of over 10 year of expertise in the distribution of electronic components. Based in Hongkong, we have already established firm and mutual-benefit business relationships with customers from,Europe,America and south Asia,supplying obsolete and hard-to-find components to meet their specific needs.

With the principle of “Quality Parts,Customers Priority,Honest Operation,and Considerate Service”,our business mainly focus on the distribution of electronic components. Line cards we deal with include Microchip,ALPS,ROHM,Xilinx,Pulse,ON,Everlight and Freescale. Main products comprise IC,Modules,Potentiometer,IC Socket,Relay,Connector.Our parts cover such applications as commercial,industrial, and automotives areas.

We are looking forward to setting up business relationship with you and hope to provide you with the best service and solution. Let us make a better world for our industry!



Contact us

Tel: +86-755-8981 8866 Fax: +86-755-8427 6832

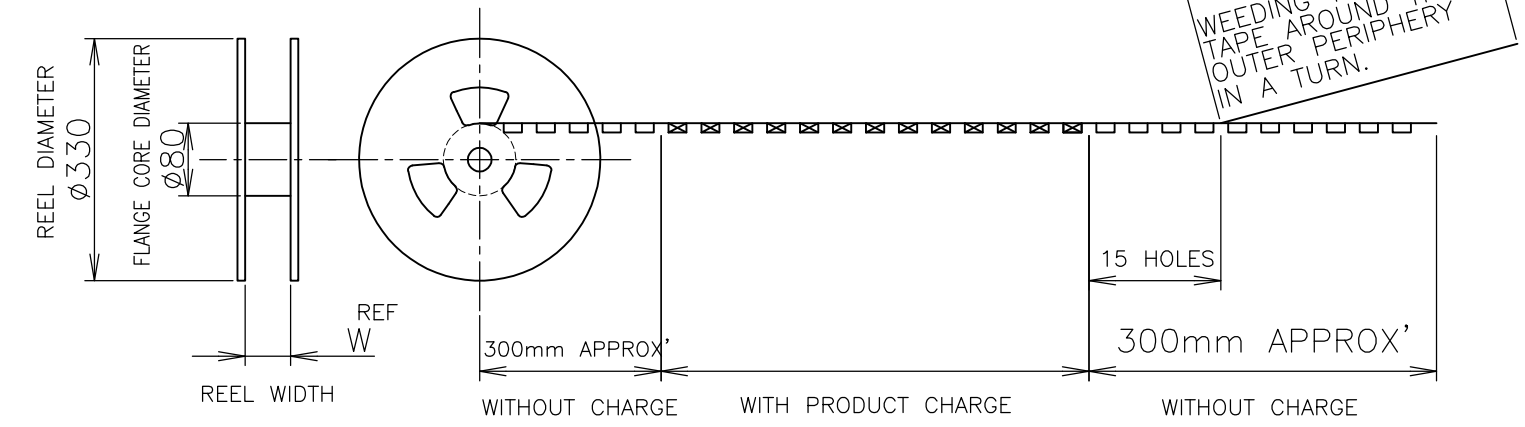
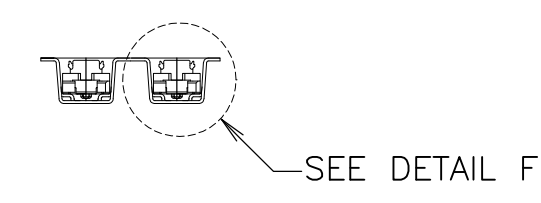
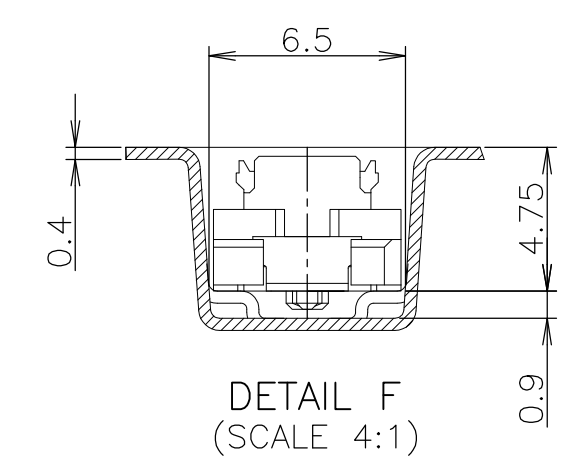
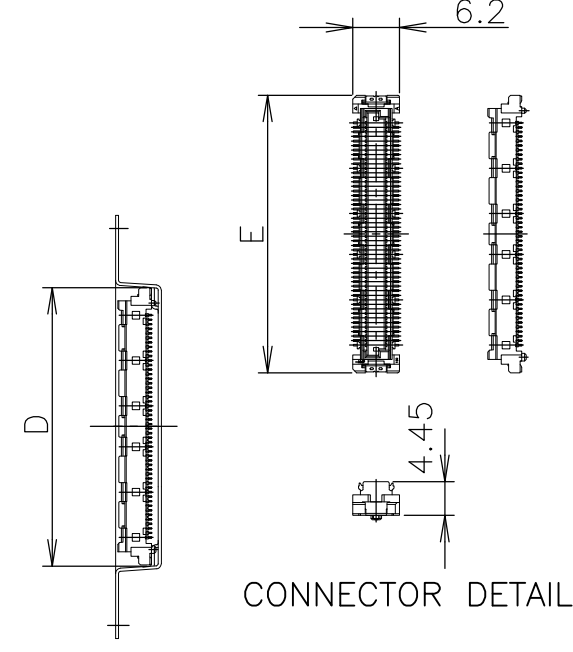
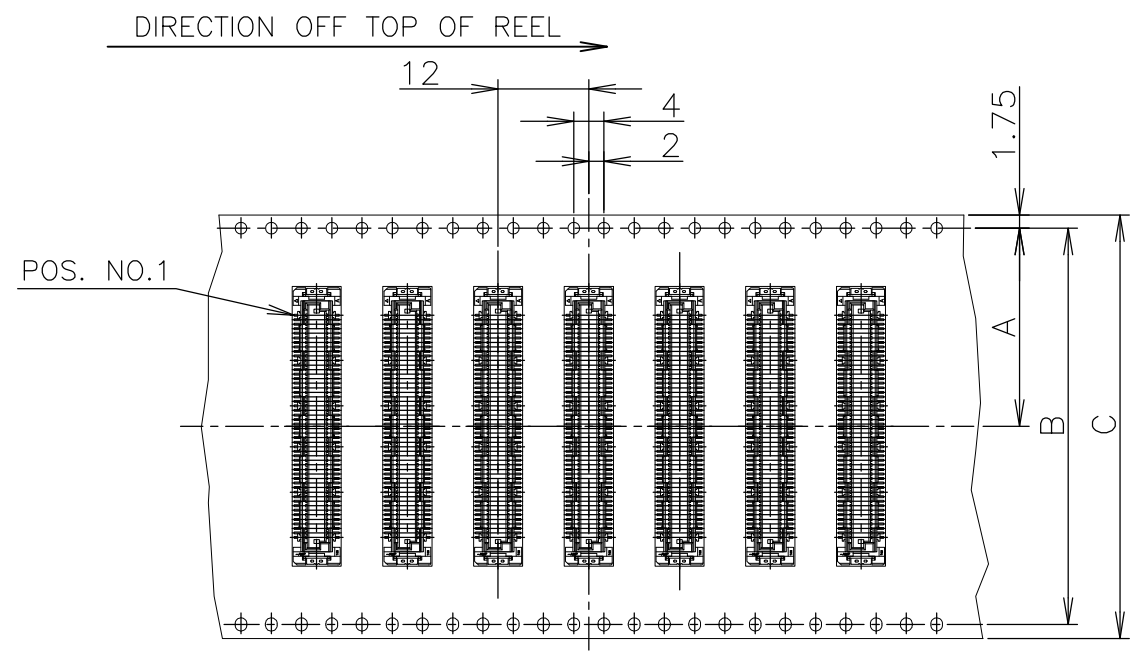
Email & Skype: info@chipsmall.com Web: www.chipsmall.com

Address: A1208, Overseas Decoration Building, #122 Zhenhua RD., Futian, Shenzhen, China



THIS DRAWING IS UNPUBLISHED. RELEASED FOR PUBLICATION DEC ,1996.
 © COPYRIGHT 1996 By - ALL RIGHTS RESERVED.

LOC	DIST	REVISIONS			
P	LTR	DESCRIPTION	DATE	DWN	APVD
J		B1 REVISED ECR-15-005119	02APR2015	I.T	W.H



WEEDING THE COVER TAPE AROUND THE OUTER PERIPHERY IN A TURN.

3 THIS PRODUCT WAS COATED BY FLUX-PENETRATION -INHIDITING AGENT.

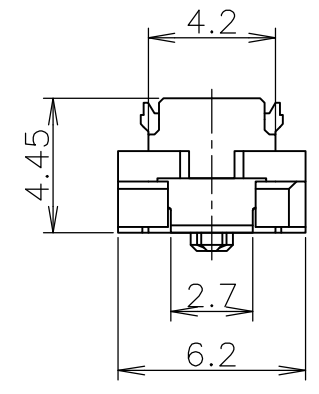
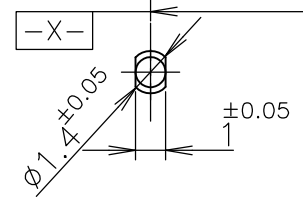
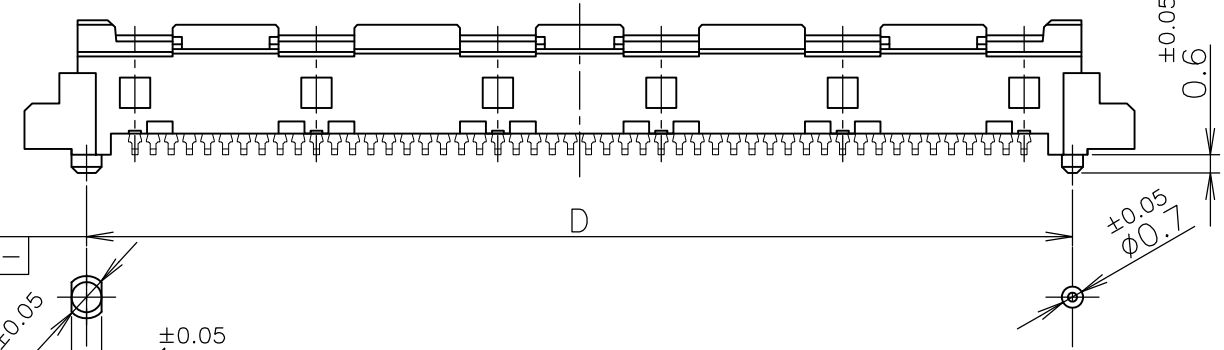
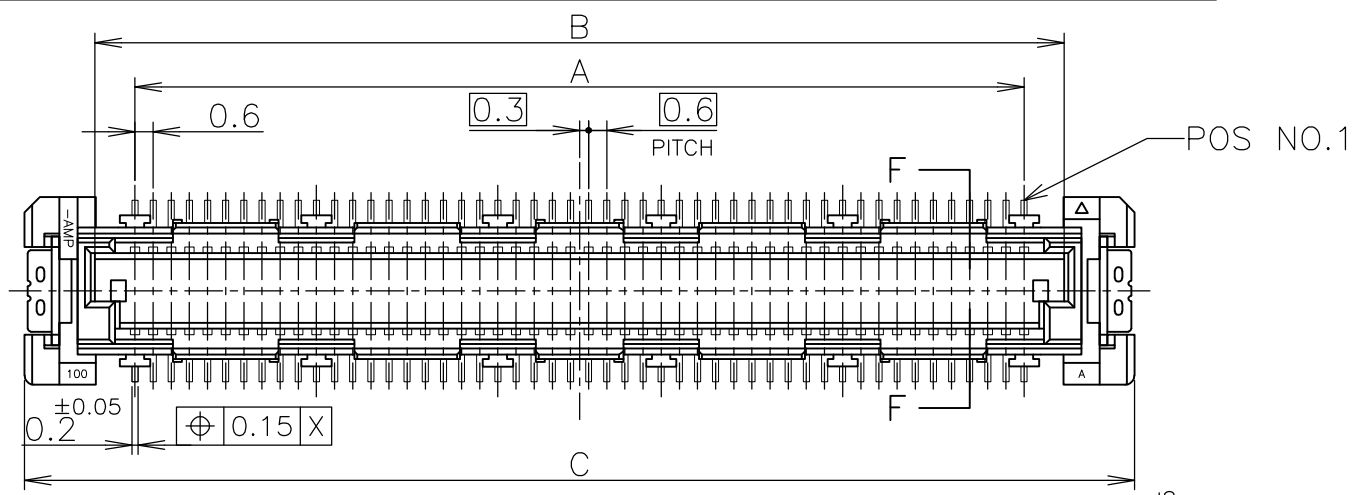
SEALANT	TOOLING STATUS	QTY.	W	E	D	C	B	A	POS.	PART NO.
NOT AVAILABLE		1000	77.5	54.7	55	72	68.4	34.2	160	6-5353692-1
			77.5	48.7	49	72	68.4	34.2	140	6- -0
			61.5	42.7	43	56	52.4	26.2	120	5- -9
			61.5	36.7	37	56	52.4	26.2	100	5- -8
			61.5	33.7	34	56	52.4	26.2	90	5- -7
			49.5	30.7	31	44	40.4	20.2	80	5- -6
			49.5	27.7	28	44	40.4	20.2	70	5- -5
NOT AVAILABLE			49.5	24.7	25	44	40.4	20.2	60	5- -4
AVAILABLE			37.5	21.7	22	32	28.4	14.2	50	5- -3
NOT AVAILABLE			37.5	18.7	19	32	28.4	14.2	40	5- -2
NOT AVAILABLE		1000	29.5	15.7	16	24	11.5		30	5-5353692-1
NON SEALANT			77.5	54.7	55	72	68.4	34.2	160	1-5353692-1
			77.5	48.7	49	72	68.4	34.2	140	1- -0
			61.5	42.7	43	56	52.4	26.2	120	-9
NOT AVAILABLE			61.5	36.7	37	56	52.4	26.2	100	-8
NOT AVAILABLE			61.5	33.7	34	56	52.4	26.2	90	-7
NOT AVAILABLE			49.5	30.7	31	44	40.4	20.2	80	-6
			49.5	27.7	28	44	40.4	20.2	70	-5
NOT AVAILABLE			49.5	24.7	25	44	40.4	20.2	60	-4
AVAILABLE			37.5	21.7	22	32	28.4	14.2	50	-3
NOT AVAILABLE			37.5	18.7	19	32	28.4	14.2	40	-2
NOT AVAILABLE		1000	29.5	15.7	16	24	11.5		30	5353692-1

THIS DRAWING IS A CONTROLLED DOCUMENT.

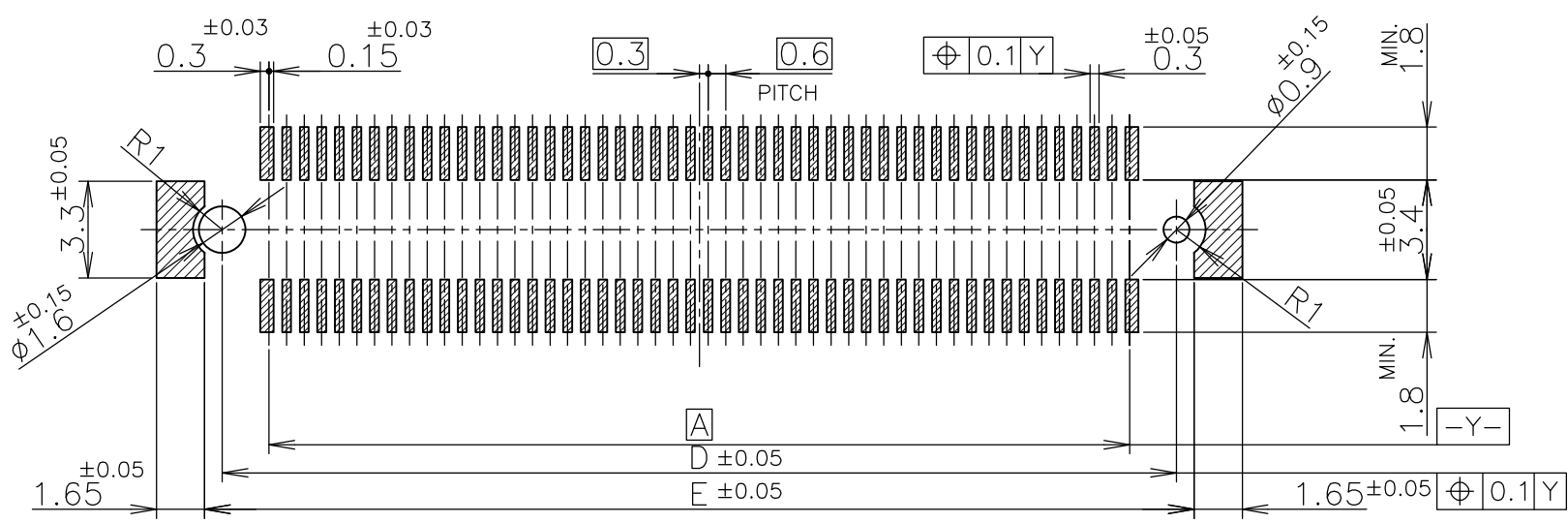
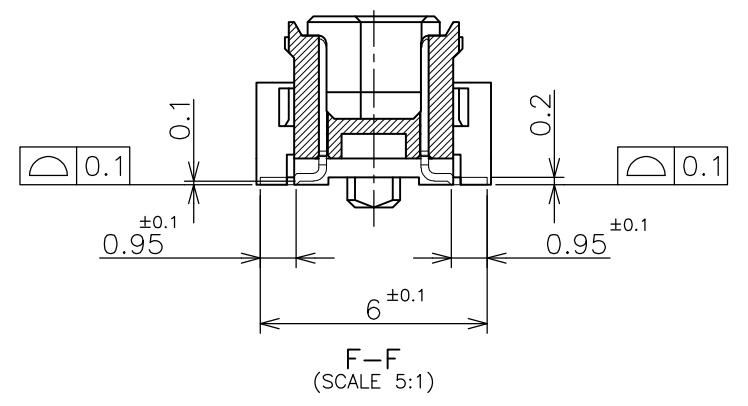
DIMENSIONS: mm	TOLERANCES UNLESS OTHERWISE SPECIFIED:	DWN HAWKING HE 14DEC04	 TE Connectivity
		CHK STEVEN YAO 14DEC04	
		APVD I.ENOMOTO 14DEC04	
		NAME	
		PRODUCT SPEC	EMBOSS ASSY
		108-60047	FH 0.6BTB CONNECTOR
		APPLICATION SPEC	PLUG 5H STD TYPE
		114-5255	SIZE CAGE CODE DRAWING NO RESTRICTED TO
MATERIAL	FINISH	WEIGHT	A3 00779 C-5353692
CUSTOMER DRAWING		SCALE 1:1	SHEET 1 OF 2 REV B1

THIS DRAWING IS UNPUBLISHED. RELEASED FOR PUBLICATION DEC , 1996. ALL RIGHTS RESERVED.

LOC	DIST	REVISIONS					
		P	LTR	DESCRIPTION	DATE	DWN	APVD
J		-		SEE SHEET 1	-	-	-



△ MATERIAL ; HOUSING : HIGH TEMP THERMO PLASTIC UL94V-0
 CONTACT : COPPER ALLOY
 △ FINISH ; UNDER PL Ni 0.0013mm MIN ALL OVER.
 CONTACT AREA 0.0002 MIN Au PL.
 SOLDERING AREA 0.001 MIN TIN PL.



REFERENCE P.C. BOARD LAYOUT

NOT AVAILABLE	51.8	50.6	54.7	50	47.4	160
↑	45.8	44.6	48.7	44	41.4	140
	39.8	38.6	42.7	38	35.4	120
NOT AVAILABLE	33.8	32.6	36.7	32	29.4	100
AVAILABLE	30.8	29.6	33.7	29	26.4	90
NOT AVAILABLE	27.8	26.6	30.7	26	23.4	80
↑	24.8	23.6	27.7	23	20.4	70
NOT AVAILABLE	21.8	20.6	24.7	20	17.4	60
AVAILABLE	18.8	17.6	21.7	17	14.4	50
NOT AVAILABLE	15.8	14.6	18.7	14	11.4	40
NOT AVAILABLE	12.8	11.6	15.7	11	8.4	30
TOOLING STATUS	E	D	C	B	A	POS

THIS DRAWING IS A CONTROLLED DOCUMENT.		DWN		TE Connectivity	
DIMENSIONS: mm		CHK			
TOLERANCES UNLESS OTHERWISE SPECIFIED:		APVD		NAME	
0 PLC ± 0.3 1 PLC ± 0.3 2 PLC ± 0.3 3 PLC ± 0.3 4 PLC ± 0.3 ANGLES ± 3°		PRODUCT SPEC		EMBOSS ASSY	
MATERIAL		APPLICATION SPEC		FH 0.6BTB CONNECTOR	
FINISH		WEIGHT		PLUG 5H STD TYPE	
△		CUSTOMER DRAWING		SIZE	RESTRICTED TO
		SCALE 4:1		CAGE CODE	
		SHEET 2 OF 2		DRAWING NO	
		REV B1		A300779	G-5353692