



Chipsmall Limited consists of a professional team with an average of over 10 year of expertise in the distribution of electronic components. Based in Hongkong, we have already established firm and mutual-benefit business relationships with customers from,Europe,America and south Asia,supplying obsolete and hard-to-find components to meet their specific needs.

With the principle of “Quality Parts,Customers Priority,Honest Operation,and Considerate Service”,our business mainly focus on the distribution of electronic components. Line cards we deal with include Microchip,ALPS,ROHM,Xilinx,Pulse,ON,Everlight and Freescale. Main products comprise IC,Modules,Potentiometer,IC Socket,Relay,Connector.Our parts cover such applications as commercial,industrial, and automotives areas.

We are looking forward to setting up business relationship with you and hope to provide you with the best service and solution. Let us make a better world for our industry!



## Contact us

Tel: +86-755-8981 8866 Fax: +86-755-8427 6832

Email & Skype: info@chipsmall.com Web: www.chipsmall.com

Address: A1208, Overseas Decoration Building, #122 Zhenhua RD., Futian, Shenzhen, China



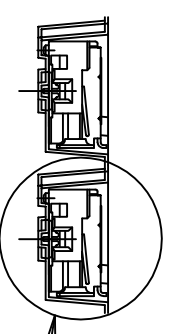
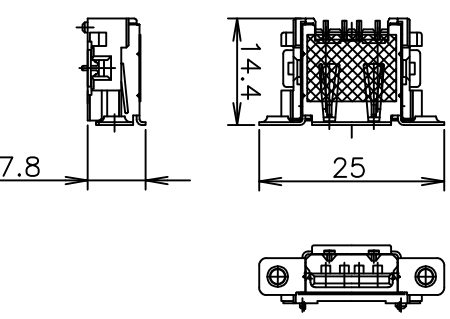
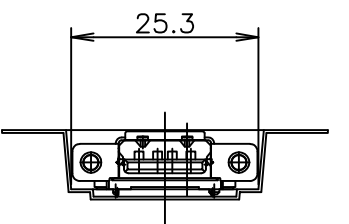
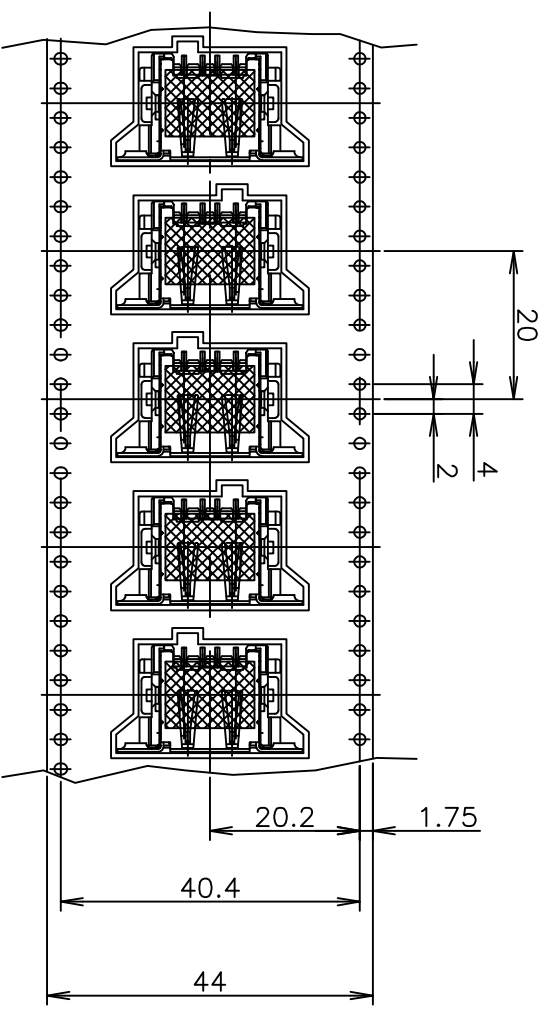
THIS DRAWING IS UNPUBLISHED.  
 © COPYRIGHT BY TYCO ELECTRONICS CORPORATION. ALL RIGHTS RESERVED.

RELEASED FOR PUBLICATION

REVISIONS

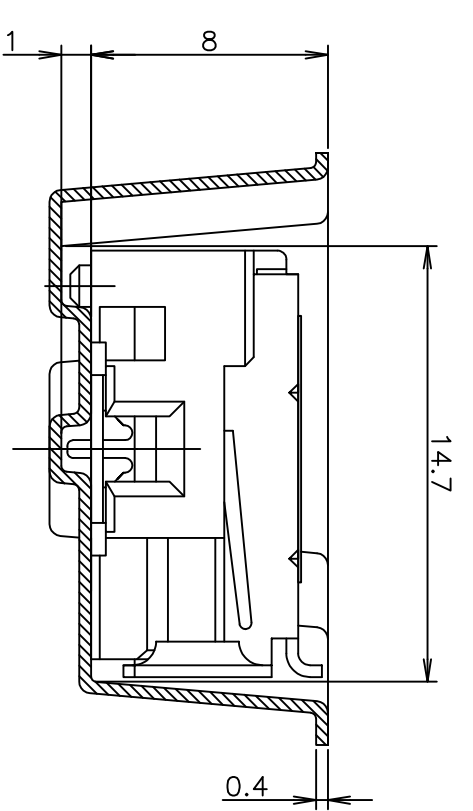
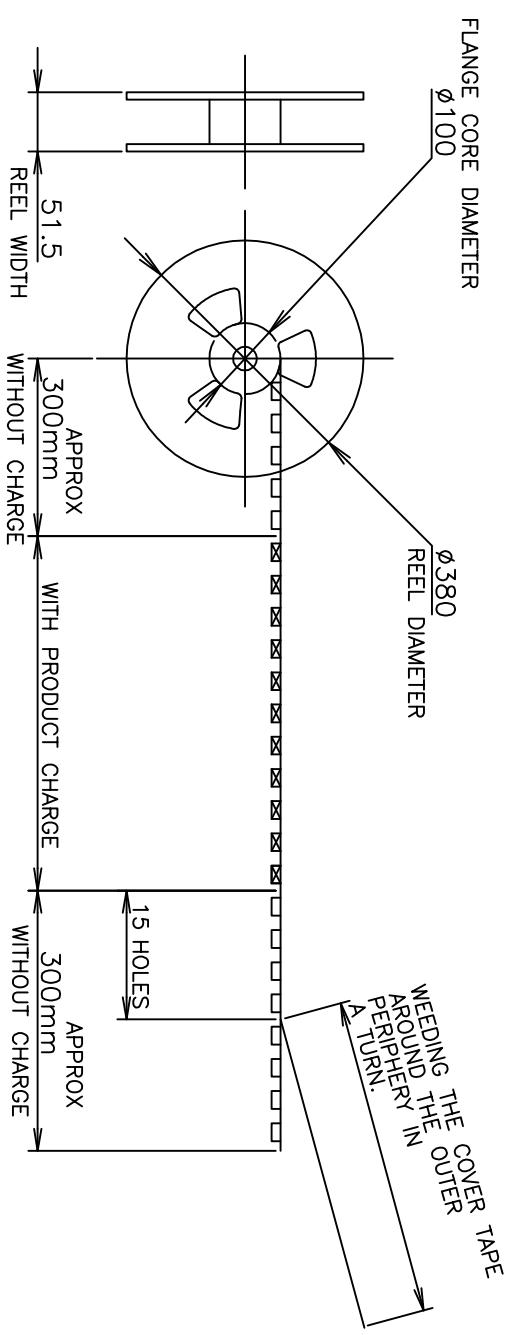
Loc	DIST	P	LTR	DESCRIPTION	DATE	DWN	APVD
J	-	A		RELEASED ECR-07-023898	09OCT07	T.Z	S.Y

DIRECTION OFF TOP OF REEL



SEE DETAIL A

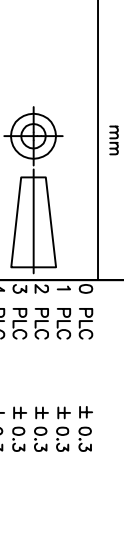
CONNECTOR DETAIL



DETAIL A (SCALE 4:1)

THIS DRAWING IS A CONTROLLED DOCUMENT.

DIMENSIONS: mm



TOLERANCES UNLESS OTHERWISE SPECIFIED:

0 PLC	± 0.3
1 PLC	± 0.3
2 PLC	± 0.3
3 PLC	± 0.3
4 PLC	± 0.3
ANGLES	± 5'

DESCRIPTION	QTY	POS	EMBOSS P/N	PART NO.
BLACK	350	4	1-912070-8	5353928-2
WHITE	350	4	1-912070-8	5353928-1

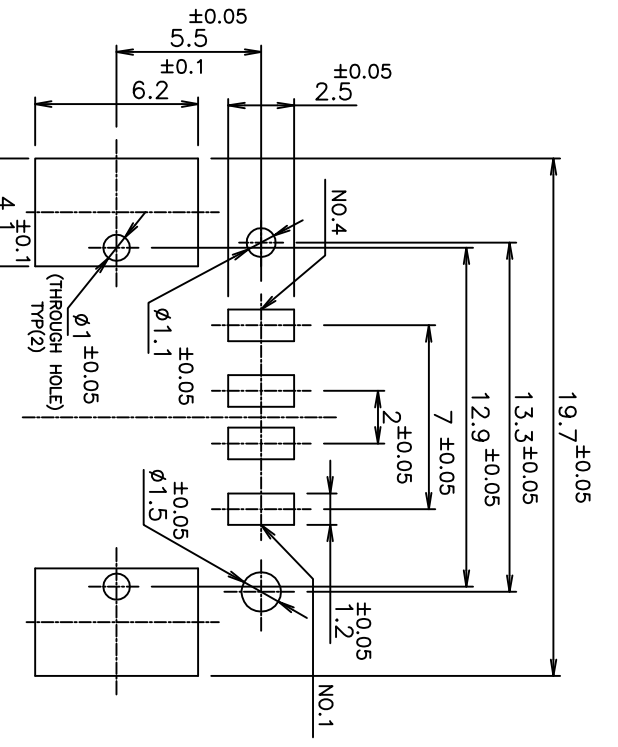
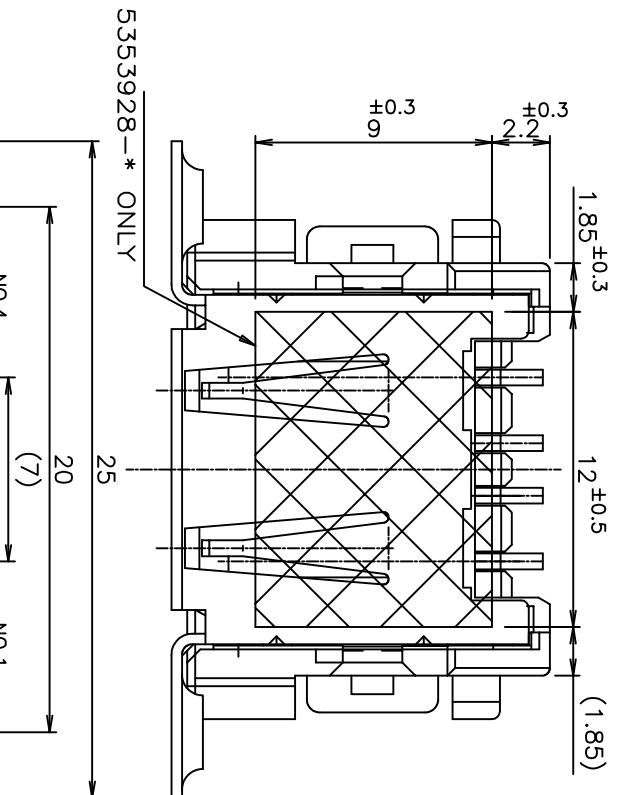
DWN G. ZHANG 24MAR06  
 CHK S. YAO 24MAR06  
 APVD J. QU 24MAR06  
 PRODUCT SPEC  
 APPLICATION SPEC  
 WEIGHT  
 CUSTOMER DRAWING

NAME Tyco Electronics  
 Tyco Electronics AMP K.K.  
 Kawasaki, Japan

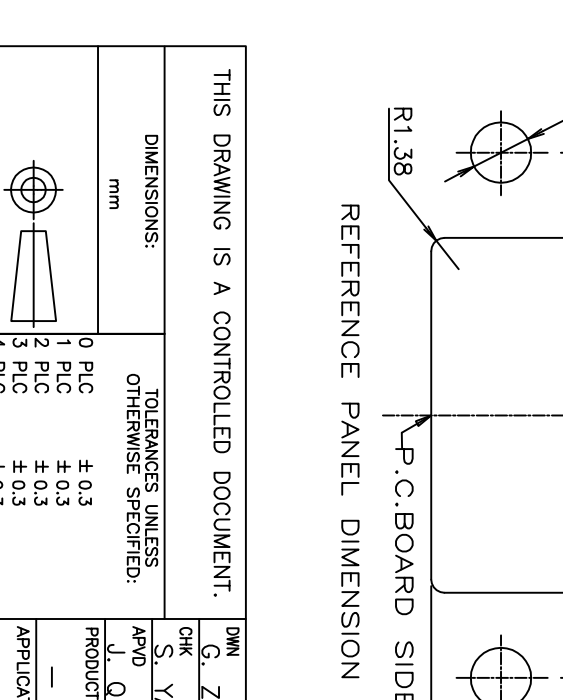
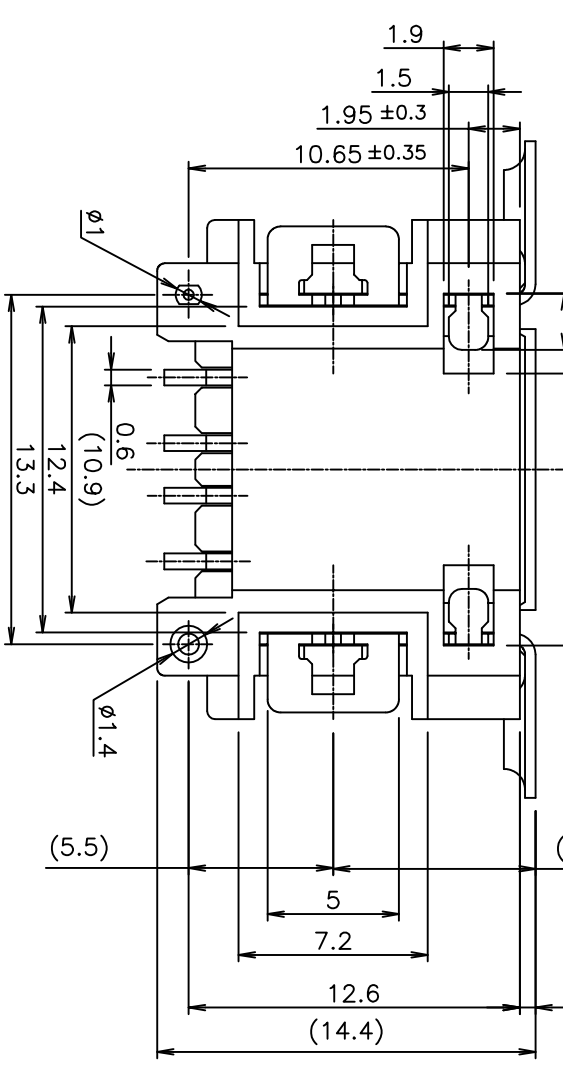
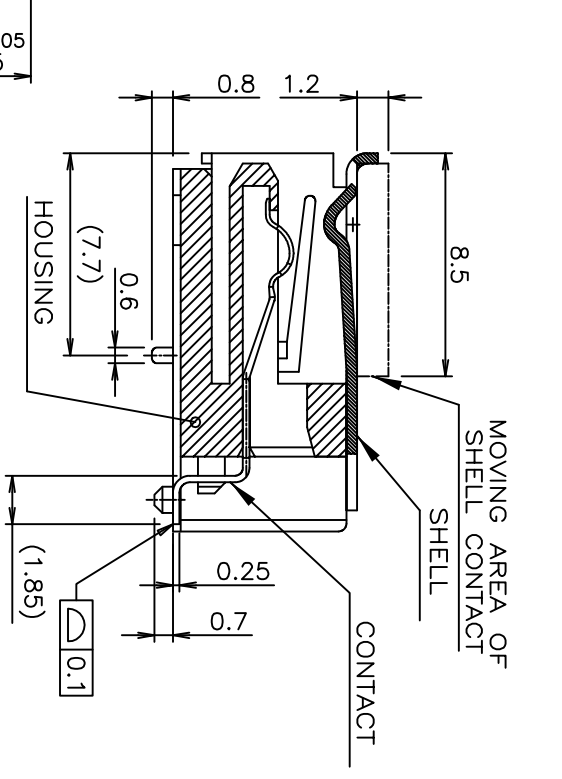
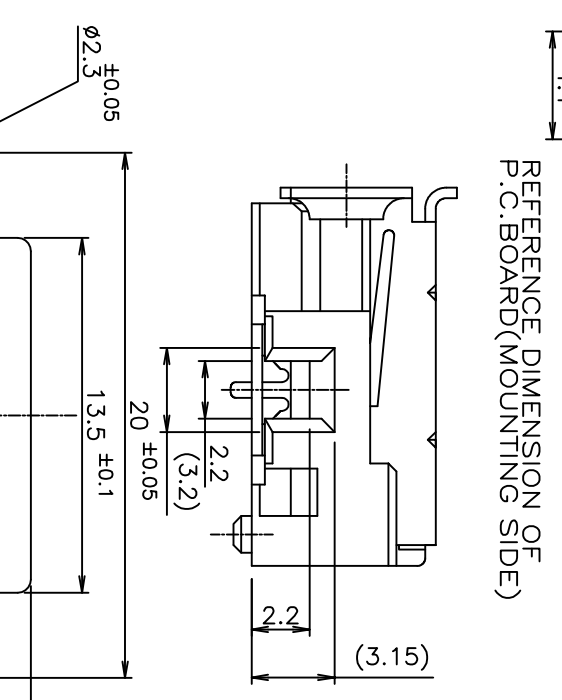
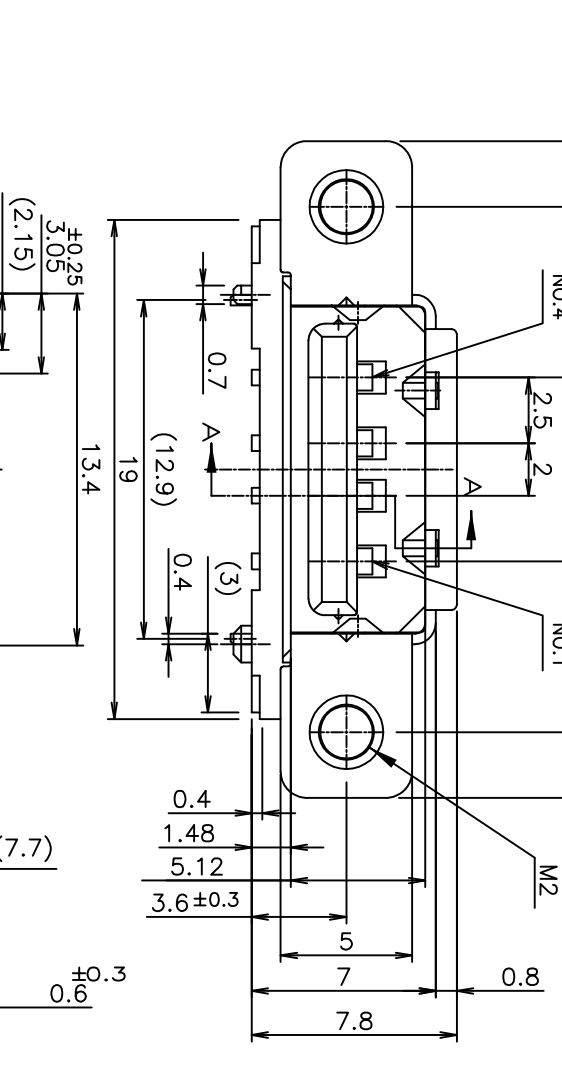
EMBOSS ASSY  
 REVERSE TYPE USB CONN. REC.  
 WITH COVER TYPE

SIZE A3  
 CAGE CODE 00779  
 DRAWING NO G-5353928  
 SCALE 1:1  
 SHEET 1 OF 2  
 REV A

LOC		DIST		REVISIONS			
J	-	P	LTR	DESCRIPTION	DATE	DMN	APVD
				SEE SHEET 1	-	-	-



**△ MATERIAL & FINISH**  
 CONTACT: COPPER ALLOY  
 Au PL. ON Pd-Ni PL. AT CONTACT AREA OVER Ni PL.  
 HOUSING: TIN PL. AT TINE AREA OVER Ni PL. THERMO-PLASTICS, UL-94V-0  
 SHELL: COPPER ALLOY, TIN PL.



HOUSING COLOR	REMARKS	PART NO.
BLACK	WITH TAPE	5353928-2
WHITE	WITH TAPE	5353928-1

**Tyco Electronics**  
 Tyco Electronics AMP K.K.  
 Kawasaki, Japan

EMBOSS ASSY  
 REVERSE TYPE USB CONN. REC.  
 WITH COVER TYPE

THIS DRAWING IS A CONTROLLED DOCUMENT.

DIMENSIONS:	TOLERANCES UNLESS OTHERWISE SPECIFIED:
mm	0 PLC ±0.3
	1 PLC ±0.3
	2 PLC ±0.3
	3 PLC ±0.3
	4 PLC ±0.3
	ANGLES ±5°

DMN	24MAR06
G. ZHANG	24MAR06
CHK S. YAO	24MAR06
APVD J. QU	
PRODUCT SPEC	
APPLICATION SPEC	
WEIGHT	

SIZE	CAGE CODE	DRAWING NO	SCALE	SHEET	OF	REV
A3	00779	5353928	1:1	2	2	A