



Chipsmall Limited consists of a professional team with an average of over 10 year of expertise in the distribution of electronic components. Based in Hongkong, we have already established firm and mutual-benefit business relationships with customers from,Europe,America and south Asia,supplying obsolete and hard-to-find components to meet their specific needs.

With the principle of “Quality Parts,Customers Priority,Honest Operation,and Considerate Service”,our business mainly focus on the distribution of electronic components. Line cards we deal with include Microchip,ALPS,ROHM,Xilinx,Pulse,ON,Everlight and Freescale. Main products comprise IC,Modules,Potentiometer,IC Socket,Relay,Connector.Our parts cover such applications as commercial,industrial, and automotives areas.

We are looking forward to setting up business relationship with you and hope to provide you with the best service and solution. Let us make a better world for our industry!



## Contact us

Tel: +86-755-8981 8866 Fax: +86-755-8427 6832

Email & Skype: info@chipsmall.com Web: www.chipsmall.com

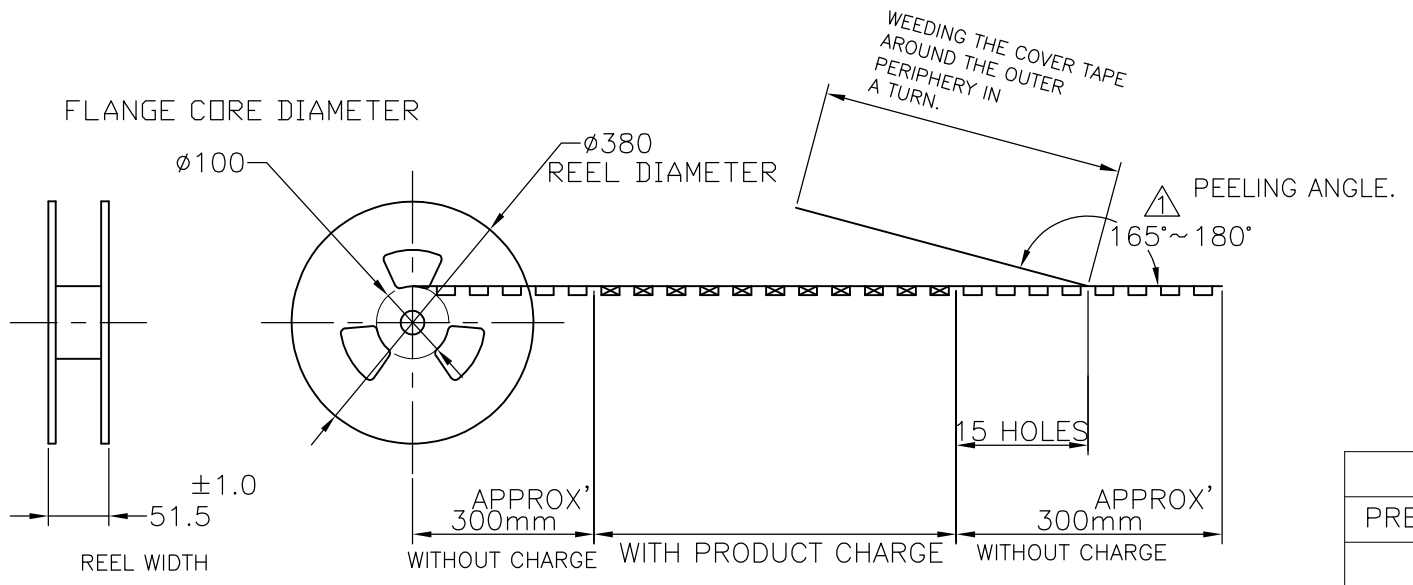
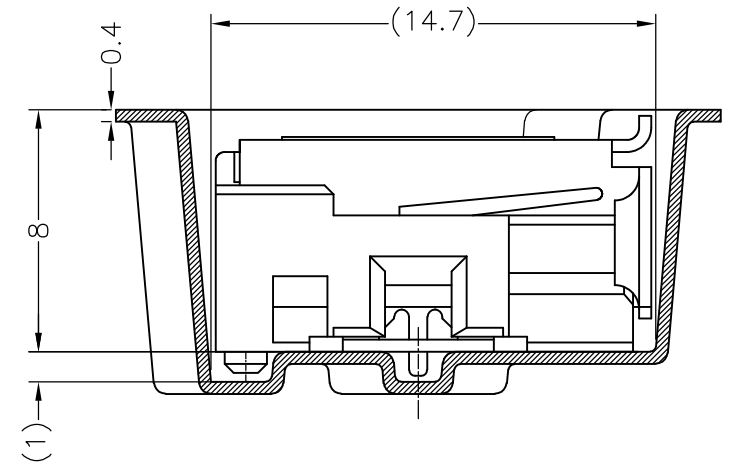
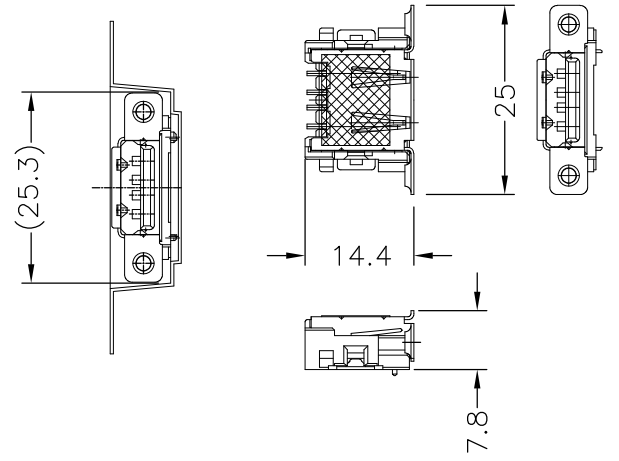
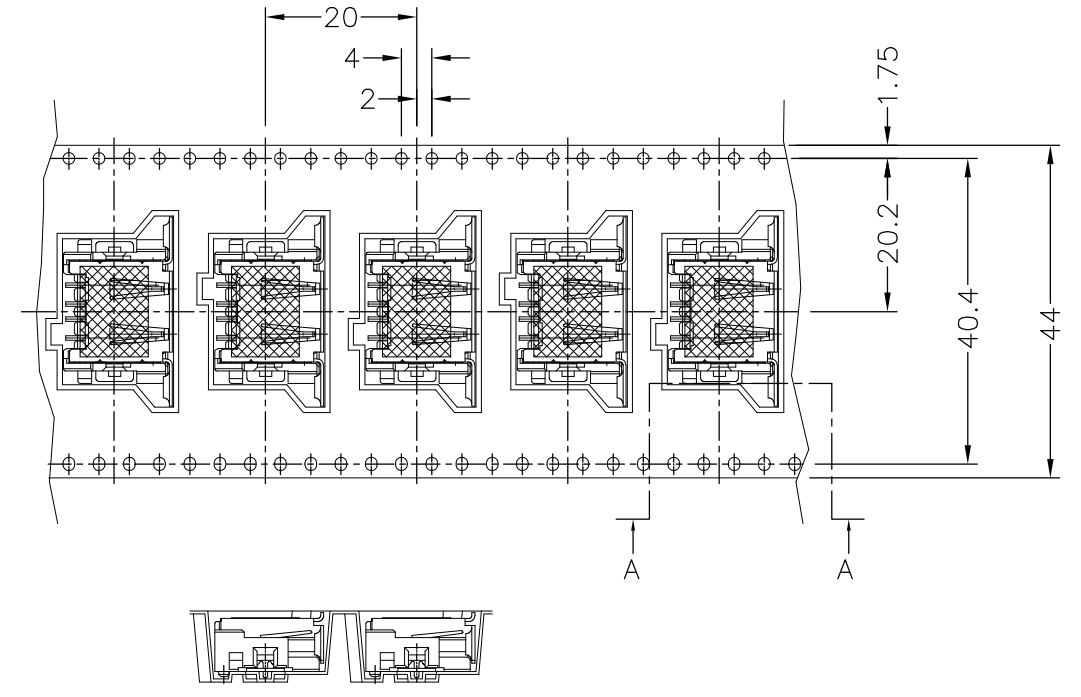
Address: A1208, Overseas Decoration Building, #122 Zhenhua RD., Futian, Shenzhen, China



THIS DRAWING IS UNPUBLISHED. RELEASED FOR PUBLICATION - - -  
 © COPYRIGHT - By - ALL RIGHTS RESERVED.

LOC ES	DIST 00	REVISIONS			
P	LTR	DESCRIPTION	DATE	DWN	APVD
	P	REVISED PER ECO-11-005033	28MAR11	RK	HMR

DIRECTION OFF TOP OF REEL →



5353929-1,2<sup>△2</sup>

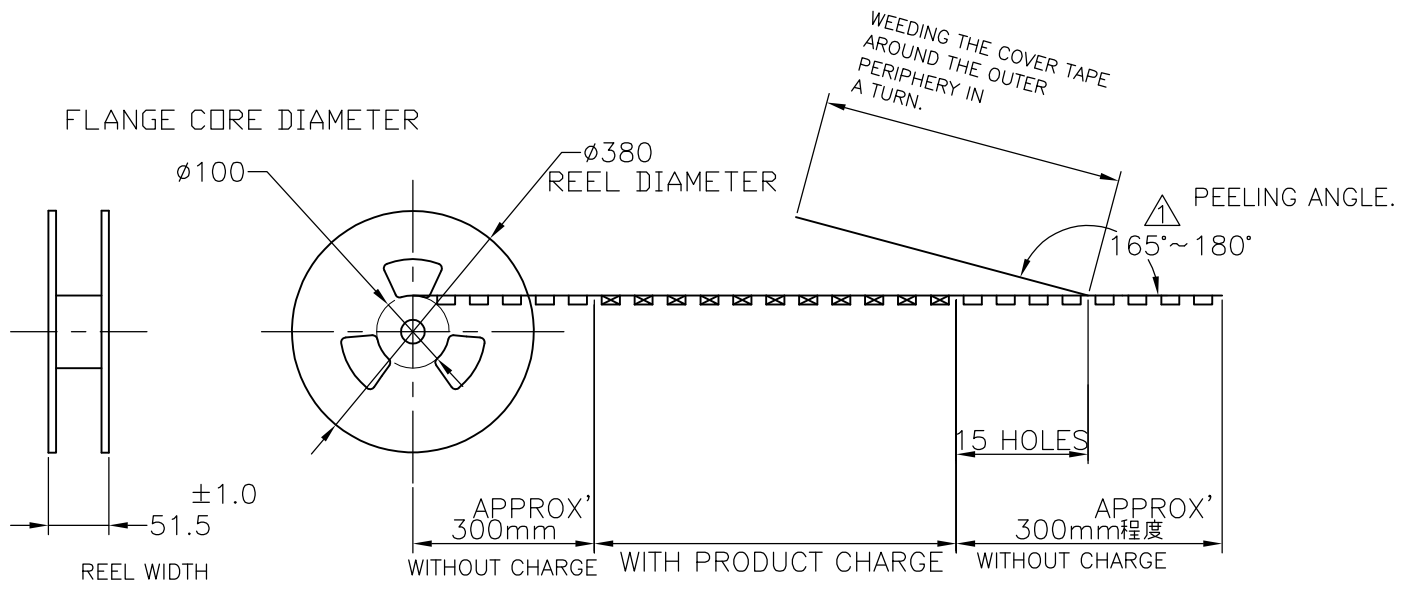
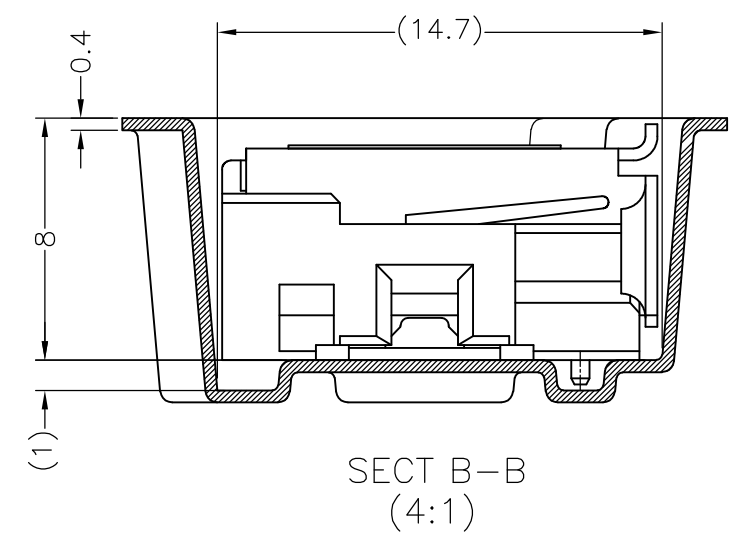
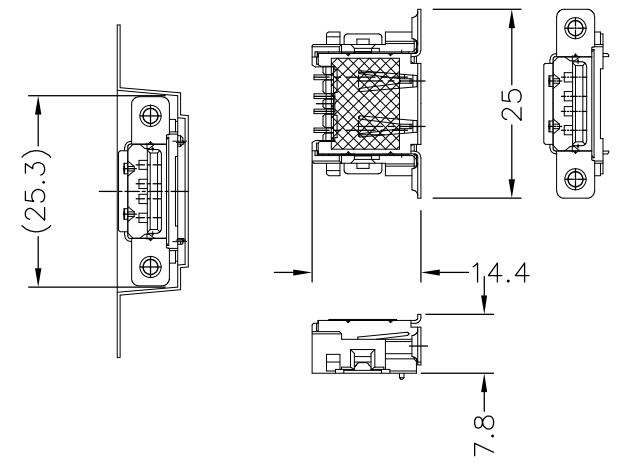
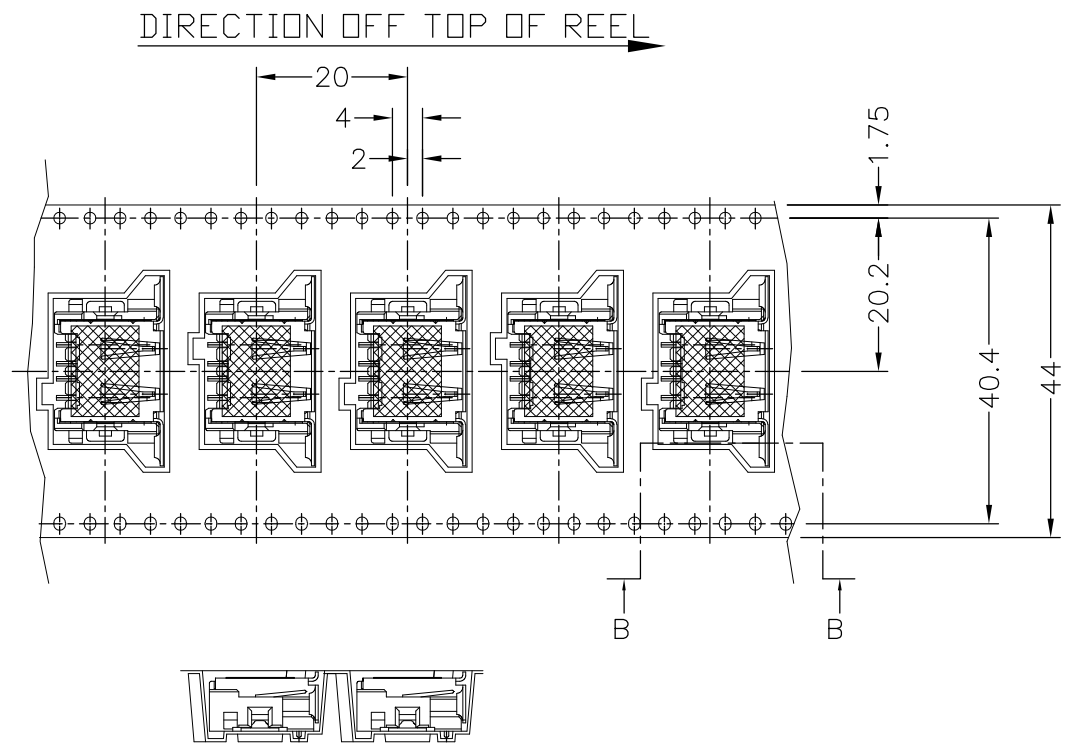
Notes  
 1. PRELIMINARY PRODUCT DOES NOT BE PROMISED MANUFACTURE POSITIVELY.  
<sup>△2</sup> OBSOLETE PARTS: OBSOLETE CIS STREAMLINING PER D.RENAUD/D.SINISI

PRODUCING	BLACK	350	4	1-6674429-2	5353929-6
PRELIMINARY NOT FOR PRODUCTION	WHITE	350	4	1-6674429-1	<sup>△2</sup> 5353929-5
PRODUCING	BLACK	350	4	1-5353583-4	5353929-4
PRELIMINARY NOT FOR PRODUCTION	WHITE	350	4	1-5353583-3	<sup>△2</sup> 5353929-3
PRELIMINARY NOT FOR PRODUCTION	BLACK	350	4	1-5353583-2	<sup>△2</sup> 5353929-2
PRODUCING	WHITE	350	4	1-5353583-1	5353929-1
TOOLING STATUS	HOUSING COLOR	QTY	POS	CONN. P/N	PART NO.

THIS DRAWING IS A CONTROLLED DOCUMENT.		DWN J.JIANG 23MAR04	TE Connectivity		
DIMENSIONS: MM		CHK S.YAO 23MAR04			
TOLERANCES UNLESS OTHERWISE SPECIFIED:		APVD T.SASAKI 23MAR04	NAME EMBOSS ASSY		
0 PLC ± 0.3 1 PLC ± 2 PLC ± 3 PLC ± 4 PLC ± ANGLES ± 5°		PRODUCT SPEC 108-5563	STD TYPE USB CONN. REC. WITH COVER TYPE		
MATERIAL		FINISH	SIZE A3	CAGE CODE 00779	DRAWING NO C-5353929
		WEIGHT	RESTRICTED TO		
		CUSTOMER DRAWING	SCALE 1:1	SHEET 1 OF 3	REV P

THIS DRAWING IS UNPUBLISHED. RELEASED FOR PUBLICATION  
 © COPYRIGHT - By - ALL RIGHTS RESERVED.

LOC	DIST	REVISIONS					
ES	00	P	LTR	DESCRIPTION	DATE	DWN	APVD
		-		SEE SHEET 1	-	-	-



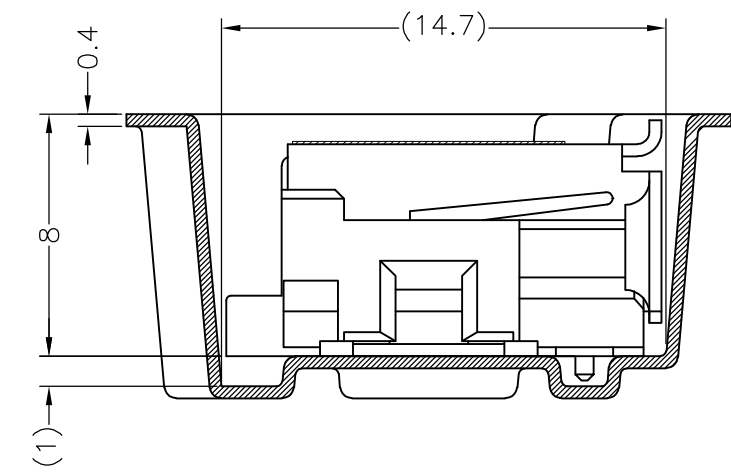
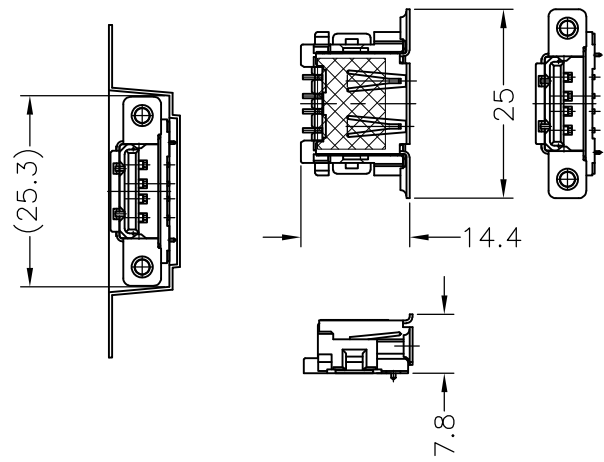
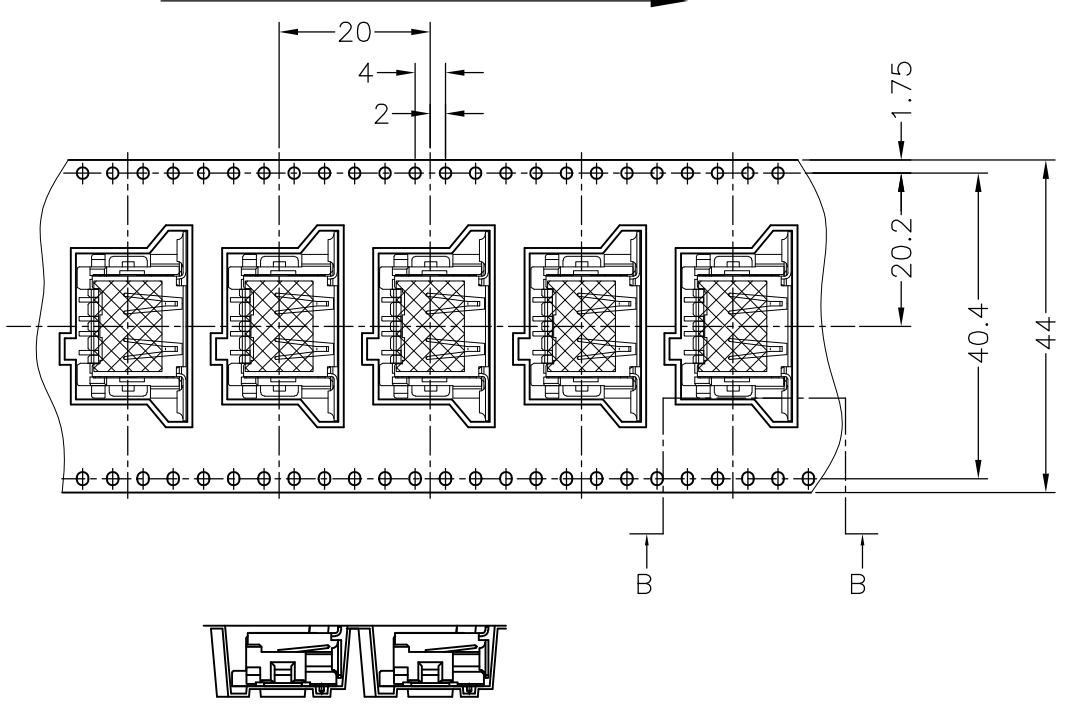
5353929-<sup>2</sup>3,4

THIS DRAWING IS A CONTROLLED DOCUMENT.		DWN	TE Connectivity NAME EMBOSS ASSY STD TYPE USB CONN. REC. WITH COVER TYPE			
DIMENSIONS: MM		CHK				
		APVD				
TOLERANCES UNLESS OTHERWISE SPECIFIED: 0 PLC ± 0.3 1 PLC ± 2 PLC ± 3 PLC ± 4 PLC ± ANGLES ± 5°		PRODUCT SPEC				
MATERIAL	FINISH	APPLICATION SPEC	SIZE	CAGE CODE	DRAWING NO	RESTRICTED TO
		WEIGHT	A3	00779	C-5353929	-
CUSTOMER DRAWING			SCALE	SHEET	REV	
			1:1	2 OF 3	P	

THIS DRAWING IS UNPUBLISHED. RELEASED FOR PUBLICATION  
 © COPYRIGHT - By - ALL RIGHTS RESERVED.

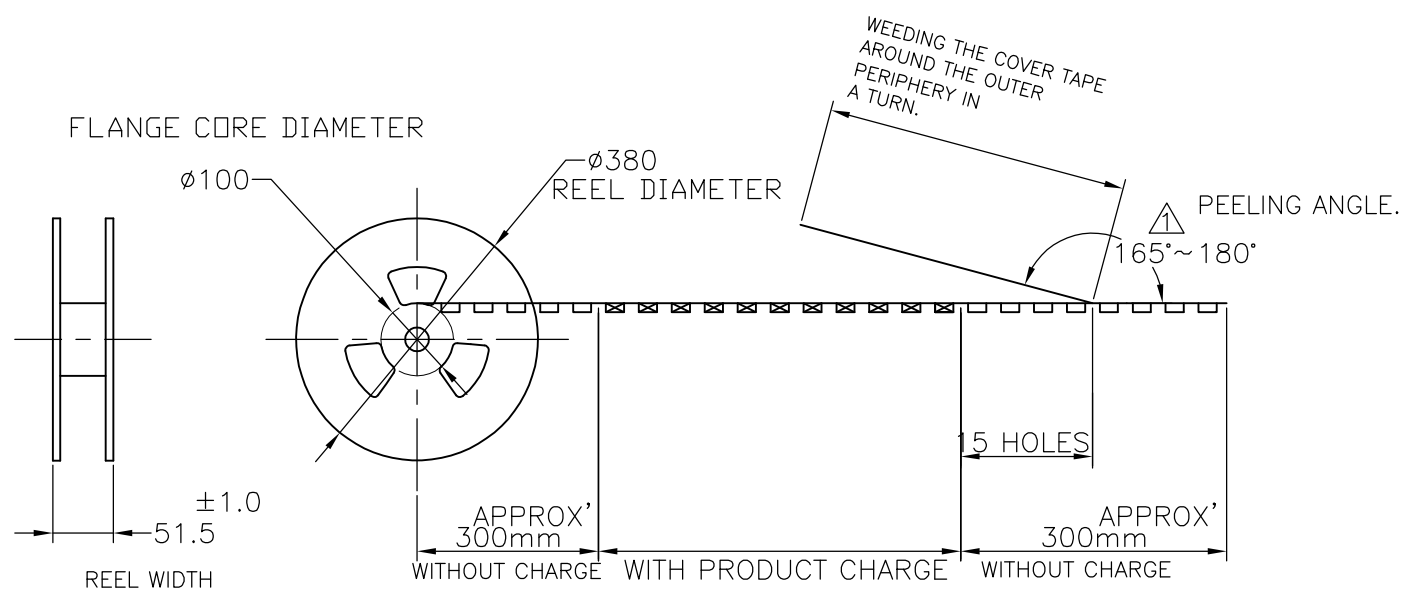
LOC ES	DIST 00	REVISIONS			
P	LTR	DESCRIPTION	DATE	DWN	APVD
-	-	SEE SHEET 1	-	-	-

DIRECTION OFF TOP OF REEL →



CONNECTOR DETAIL

SECT B-B  
(4:1)



5353929-<sup>2</sup>~~5~~,6

THIS DRAWING IS A CONTROLLED DOCUMENT.		DWN	TE Connectivity NAME EMBOSS ASSY STD TYPE USB CONN. REC. WITH COVER TYPE					
DIMENSIONS: MM		CHK				SIZE	CAGE CODE	DRAWING NO
TOLERANCES UNLESS OTHERWISE SPECIFIED: 0 PLC ± 0.3 1 PLC ± 2 PLC ± 3 PLC ± 4 PLC ± ANGLES ± 5°		APVD				A3 00779 C-5353929		
MATERIAL		PRODUCT SPEC				RESTRICTED TO		
FINISH		APPLICATION SPEC	SCALE 1:1		SHEET 3 OF 3			
		WEIGHT	CUSTOMER DRAWING		REV P			