



Chipsmall Limited consists of a professional team with an average of over 10 year of expertise in the distribution of electronic components. Based in Hongkong, we have already established firm and mutual-benefit business relationships with customers from,Europe,America and south Asia,supplying obsolete and hard-to-find components to meet their specific needs.

With the principle of "Quality Parts,Customers Priority,Honest Operation,and Considerate Service",our business mainly focus on the distribution of electronic components. Line cards we deal with include Microchip,ALPS,ROHM,Xilinx,Pulse,ON,Everlight and Freescale. Main products comprise IC,Modules,Potentiometer,IC Socket,Relay,Connector.Our parts cover such applications as commercial,industrial, and automotives areas.

We are looking forward to setting up business relationship with you and hope to provide you with the best service and solution. Let us make a better world for our industry!



## Contact us

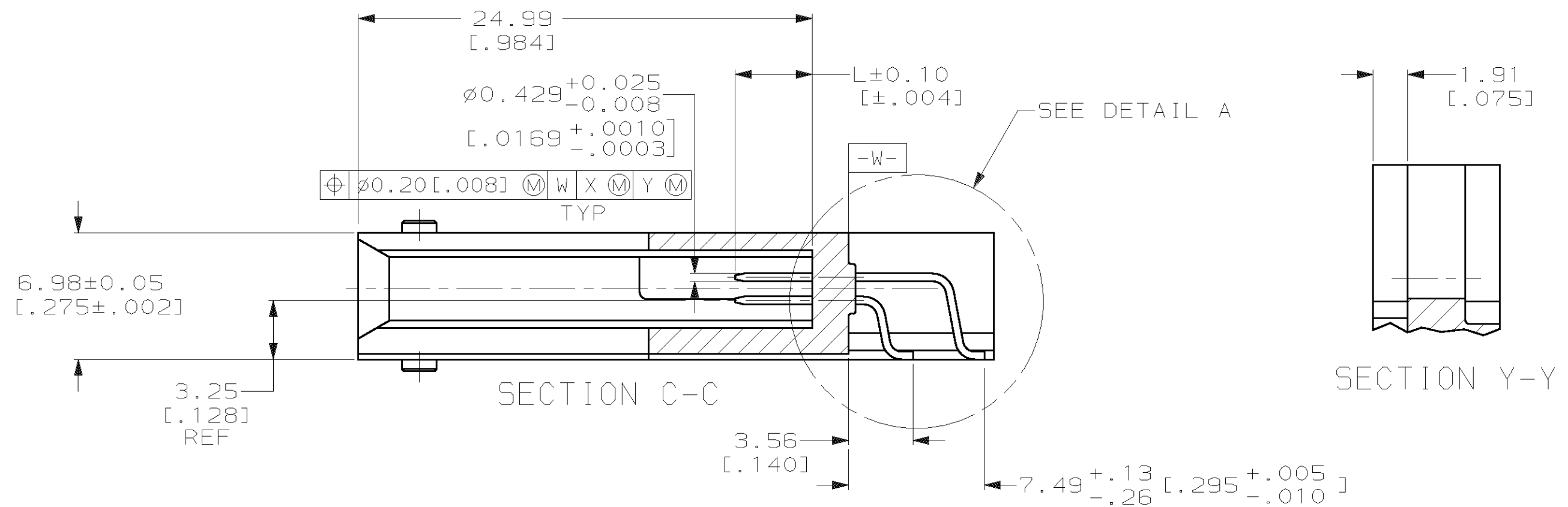
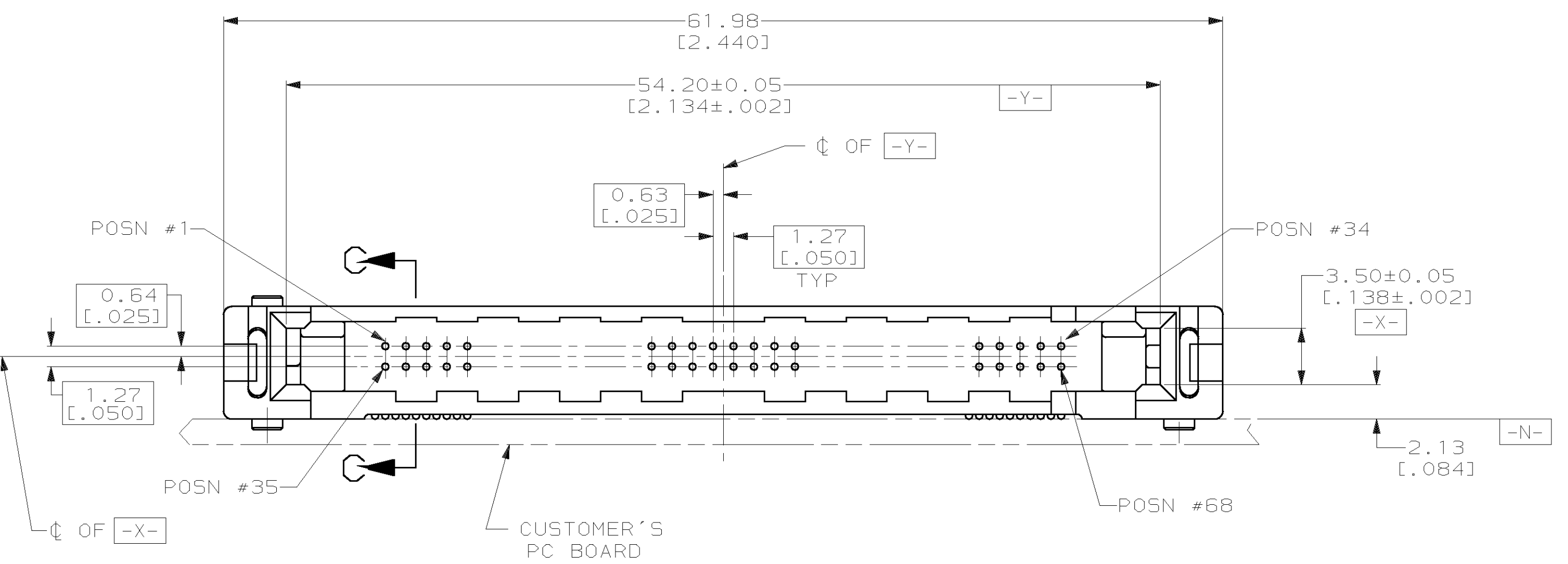
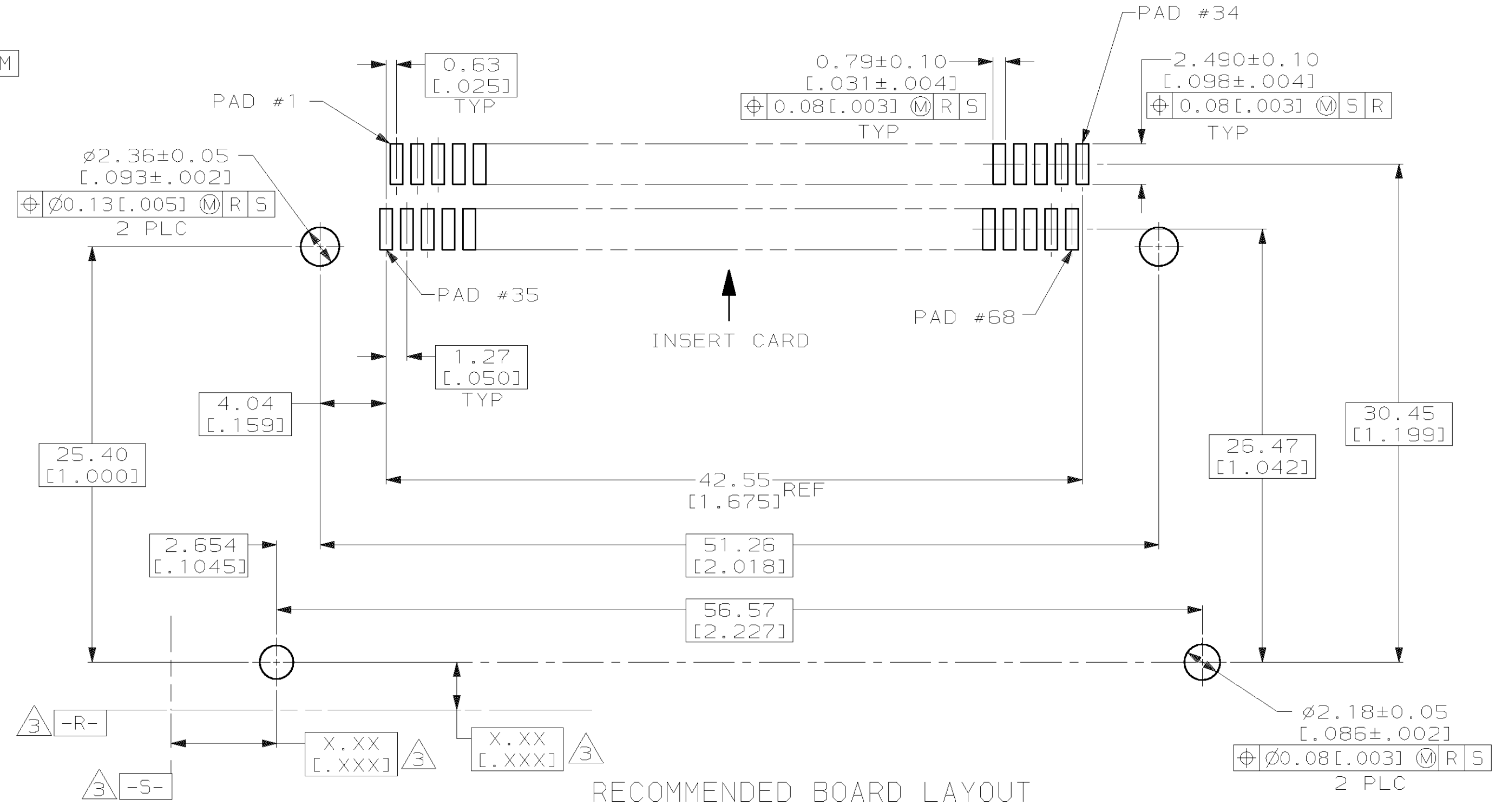
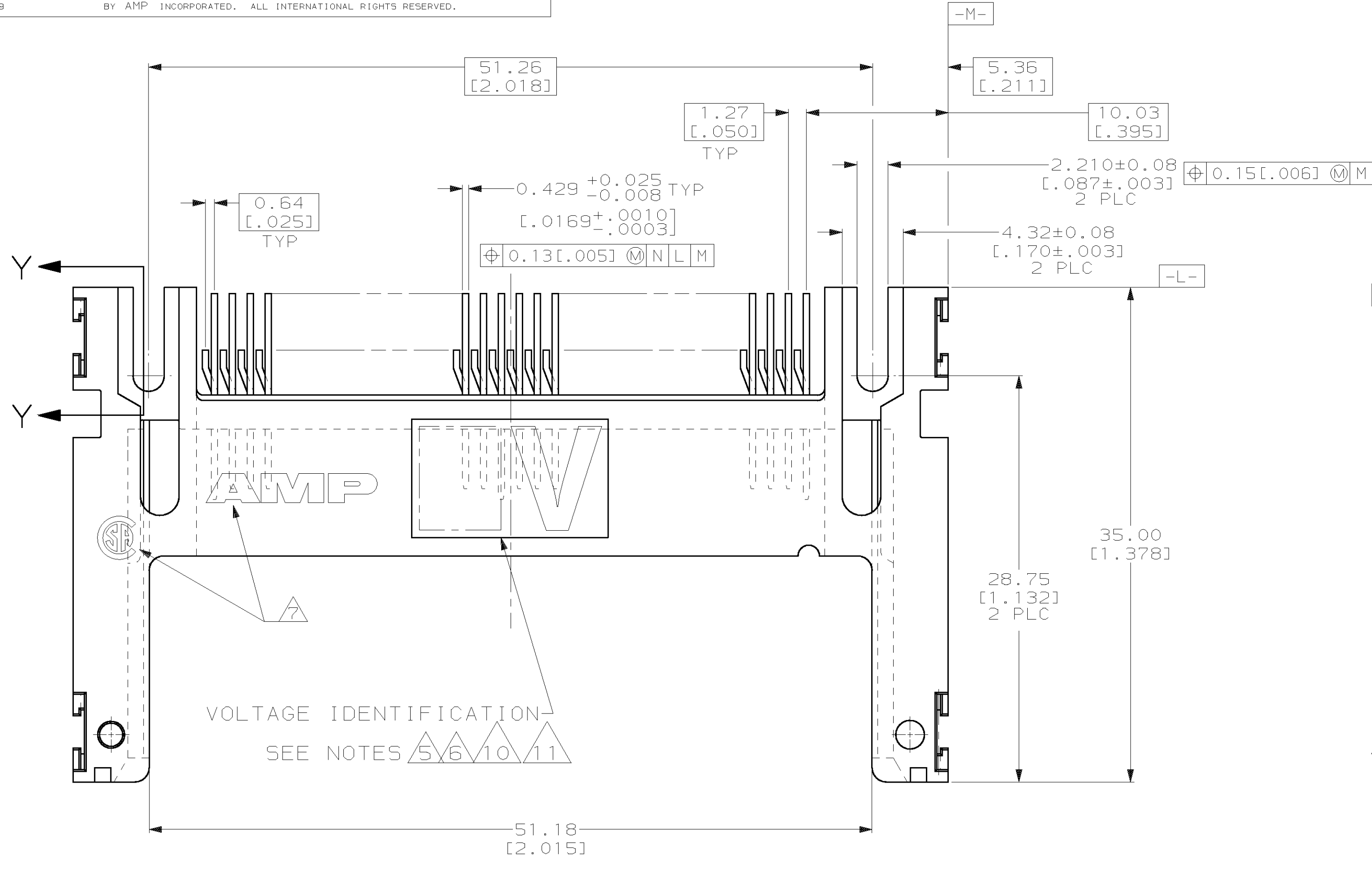
Tel: +86-755-8981 8866 Fax: +86-755-8427 6832

Email & Skype: info@chipsmall.com Web: www.chipsmall.com

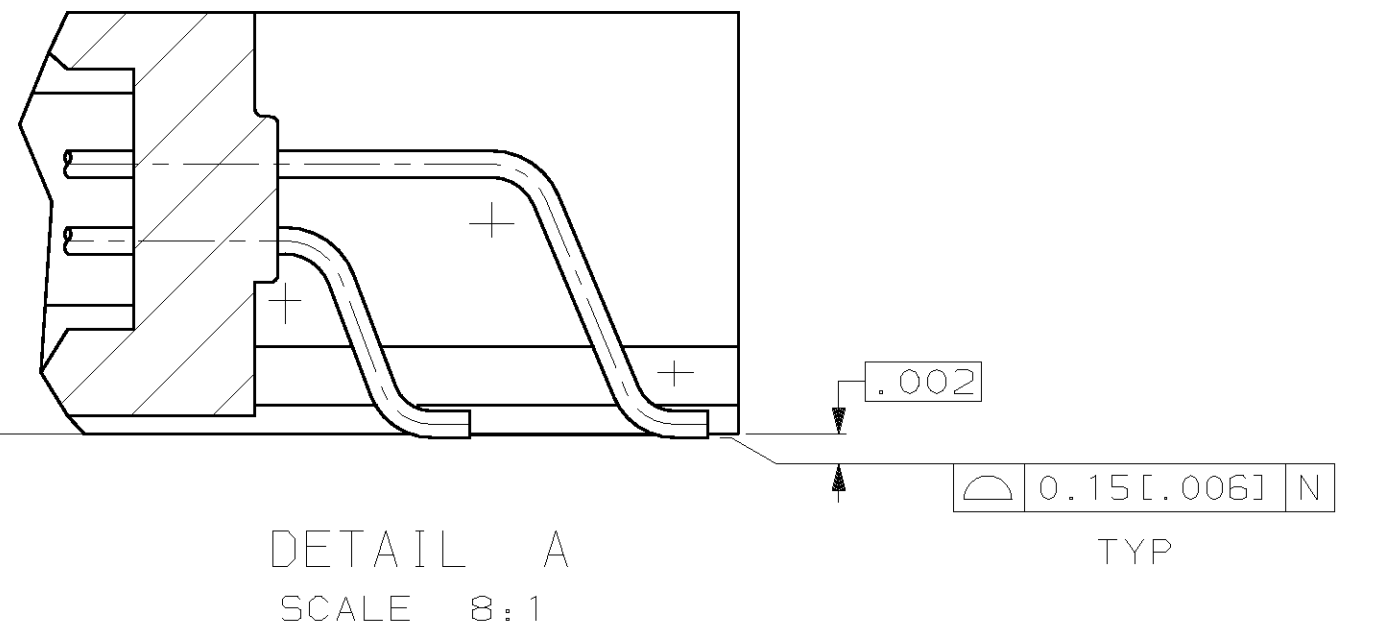
Address: A1208, Overseas Decoration Building, #122 Zhenhua RD., Futian, Shenzhen, China



LOC		DIST		P		ZONE		LTR		REVISIONS		
AD	00									DESCRIPTION	DATE	APPD
									H	REV PER EC 051A-0151-00	7/21/00	RW
									J	ADDED -6 & REACTIVATED -2	24 APR 02	BW
										PER EC 0512-0048-02		



- 0.00076[.000030] MINIMUM GOLD IN CONTACT AREA, 0.00381[.000150] MIN TIN-LEAD ON SOLDER TAILS, ALL OVER 0.00127[.000050] MINIMUM NICKEL
- CUSTOMER TO PROVIDE CARD GUIDANCE SYSTEM
- DATUMS AND BASIC DIMENSIONS ESTABLISHED BY CUSTOMER
- CONNECTOR REQUIRES USE OF 2 - SIZE 2M SCREWS FOR FASTENING TO PRINTED CIRCUIT BOARD
- ASSEMBLY KEYED FOR 5 VOLT CARDS
- ASSEMBLY KEYED FOR LOW VOLT CARDS (3.3V)
- RECESSED AMP AND CSA LOGOS LOCATED ON BOTH SIDES OF HOUSING.
- PACKAGE IN TRAYS, 9 X 17 INCH APPROXIMATE SIZE.
- PACKAGE IN TRAYS, 9 X 12 INCH APPROXIMATE SIZE.
- NO VOLTAGE IDENTIFICATION ON 535651-5 KEYED FOR 5V CARDS.
- NO VOLTAGE IDENTIFICATION ON 535651-6. KEYED FOR LV CARDS.



11	TAPE AND REEL	SAME AS -1	SAME AS -1	SAME AS -1	535651-6
10	TAPE AND REEL	SAME AS -1	SAME AS -1	SAME AS -1	535651-5
9	TRAYS	SAME AS -1	SAME AS -1	SAME AS -1	535651-4
8	TAPE AND REEL	SAME AS -1	SAME AS -1	SAME AS -1	535651-3
6	TRAYS	SAME AS -1	SAME AS -1	SAME AS -1	535651-2
5	TRAYS	1, 17, 34 35, 51, 68	ALL OTHER PINS	36, 67	535651-1
VOLTAGE KEYING & IDENTIFICATION		5.0 [.197]	4.25 [.167]	3.5 [.138]	
		"L" (PIN LENGTH) AND LOCATION			PART NO

DO NOT SCALE PRINT. UNLESS SPECIFIED DIMENSIONS IN mm [INCHES]	DR 3/8/93 J MOSER
TOLERANCES ON: 2 PLC DEC ± 0.13 [.005] 3 PLC DEC ± - ANGLES ± -	CHK 3/8/93 B ELICKER
MATERIAL	APPD 3/8/93 B ELICKER
HOUSING: LCP COLOR; BLACK	APPD 3/8/93 B FLINCHBAUGH
PIN: BRASS	PRODUCT SPEC -
FINISH	APPLICATION SPEC -
PIN: 11	WEIGHT 6.5 GRAMS

AMP AMP Incorporated Harrisburg, PA 17105-3608		
NAME PIN HEADER ASSY, 68 POSN, TOP BOARD MTG, SURFACE MT, AMP MEMORY CARD		
SIZE D	CAGE CODE 00779	DRAWING NO ©-535651
SCALE 4:1	SHEET 1 OF 1	

THIS DRAWING IS A CONTROLLED DOCUMENT FOR AMP INCORPORATED. IT IS SUBJECT TO CHANGE AND THE CONTROLLING ENGINEERING ORGANIZATION SHOULD BE CONTACTED FOR THE LATEST REVISION.