



Chipsmall Limited consists of a professional team with an average of over 10 year of expertise in the distribution of electronic components. Based in Hongkong, we have already established firm and mutual-benefit business relationships with customers from,Europe,America and south Asia,supplying obsolete and hard-to-find components to meet their specific needs.

With the principle of “Quality Parts,Customers Priority,Honest Operation,and Considerate Service”,our business mainly focus on the distribution of electronic components. Line cards we deal with include Microchip,ALPS,ROHM,Xilinx,Pulse,ON,Everlight and Freescale. Main products comprise IC,Modules,Potentiometer,IC Socket,Relay,Connector.Our parts cover such applications as commercial,industrial, and automotives areas.

We are looking forward to setting up business relationship with you and hope to provide you with the best service and solution. Let us make a better world for our industry!



Contact us

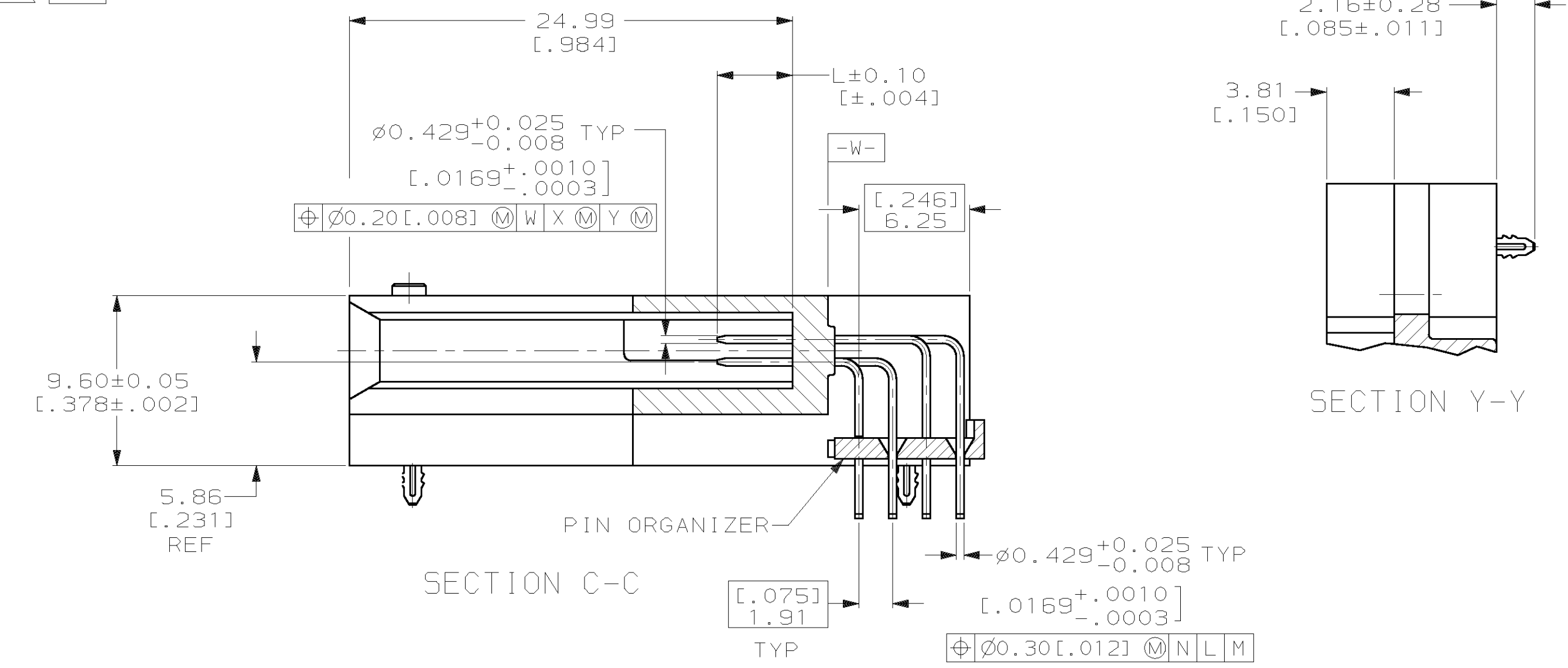
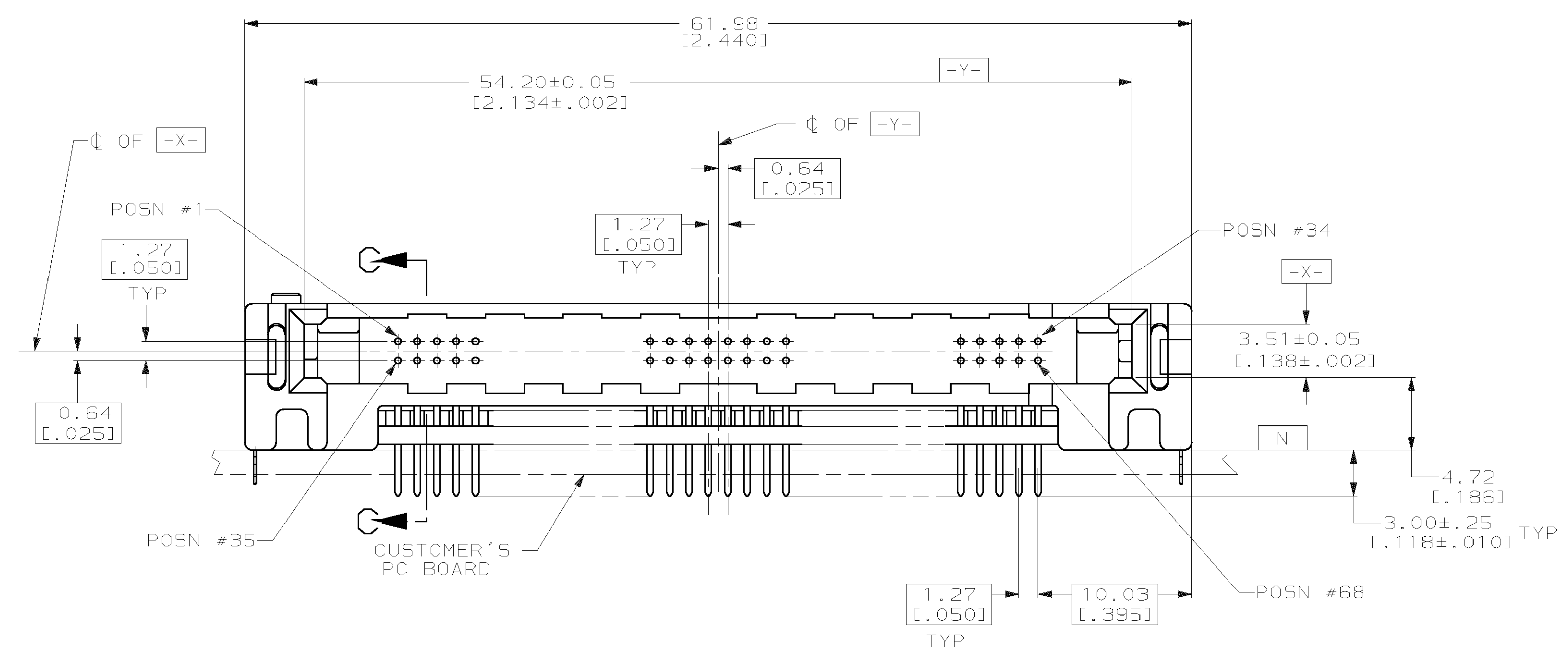
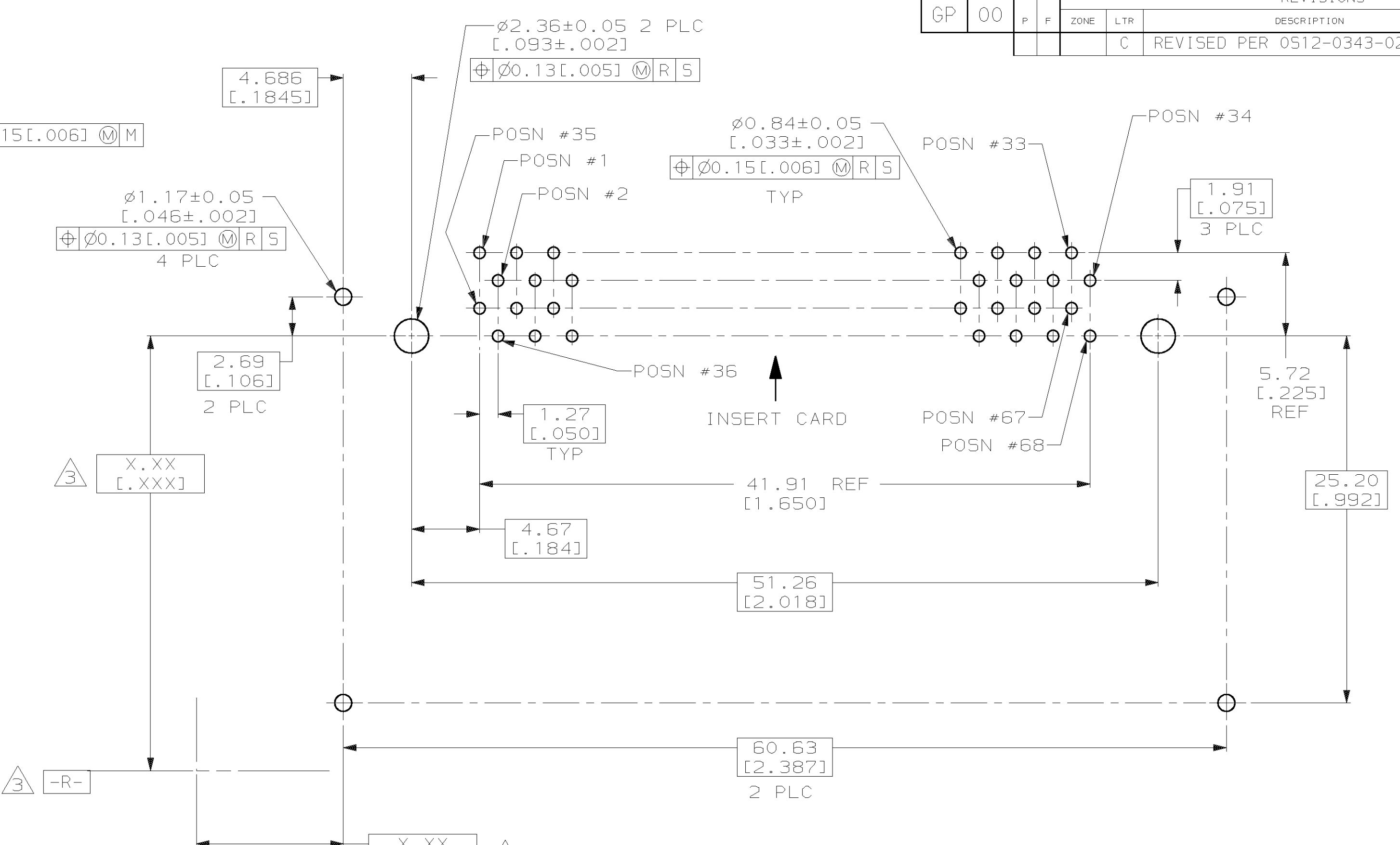
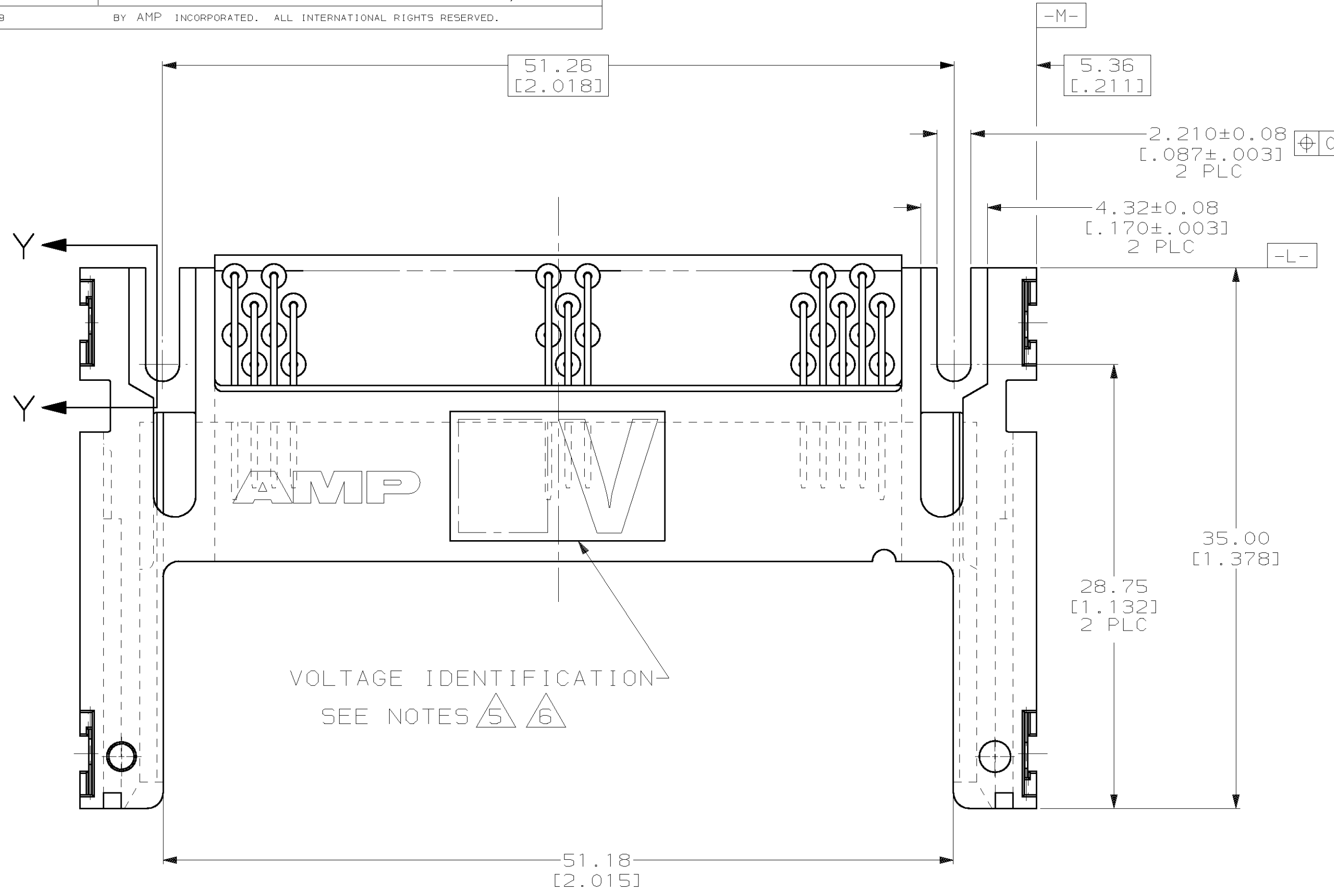
Tel: +86-755-8981 8866 Fax: +86-755-8427 6832

Email & Skype: info@chipsmall.com Web: www.chipsmall.com

Address: A1208, Overseas Decoration Building, #122 Zhenhua RD., Futian, Shenzhen, China



LOC		DIST		P		F		ZONE		LTR		REVISIONS			
GP	00											DESCRIPTION	DATE	APPD	
												C	REVISED PER 0512-0343-02	11SEP02	RHW



- 1 0.00076[.000030] MINIMUM GOLD IN CONTACT AREA, 0.00381[.000150] MINIMUM TIN-LEAD ON SOLDER TAILS, ALL OVER 0.00127[.000050] MINIMUM NICKEL
- 2 CUSTOMER TO PROVIDE CARD GUIDANCE SYSTEM
- 3 DATUMS AND BASIC DIMENSIONS ESTABLISHED BY CUSTOMER
- 4 CONNECTOR REQUIRES USE OF 2 - SIZE 2M SCREWS FOR FASTENING TO PRINTED CIRCUIT BOARD
- 5 ASSEMBLY KEYED FOR 5 VOLT CARDS
- 6 ASSEMBLY KEYED FOR LOW VOLT CARDS (3.3V)

VOLTAGE KEYING & IDENTIFICATION	5.0	4.25	3.5	PART NO
	[.197]	[.167]	[.138]	
"L" (PIN LENGTH) AND LOCATION				

DO NOT SCALE PRINT. UNLESS SPECIFIED DIMENSIONS IN mm [INCHES] TOLERANCES ON: 2 PLC DEC ± 0.13 [.005] 3 PLC DEC ± - ANGLES ± -	DR 3/8/93 J MOSER	Tyco Electronics Harrisburg, PA 17105-3608
MATERIAL HOUSING & ORGANIZER: LCP, COLOR: BLACK PIN: BRASS HOLD-DOWN: PHOPHOR BRONZE FINISH	CHK 3/8/93 B ELICKER	
PIN: 1	APPD 3/8/93 B FLINCHBAUGH	
HOLD-DOWN: TIN PLATED	APPD 3/8/93 B ELICKER	
NAME	PIN HEADER ASSY, 68 POSN, RAISED HT, TOP BD MTG, THRU-HOLE, WITH HOLD-DOWNS, AMP MEMORY CARD	
SIZE	CAGE CODE	DRAWING NO
D	00779	C-535660
WEIGHT	SCALE	SHEET
8.5 GRAMS	4:1	1 OF 1

THIS DRAWING IS A CONTROLLED DOCUMENT FOR AMP INCORPORATED. IT IS SUBJECT TO CHANGE AND THE CONTROLLING ENGINEERING ORGANIZATION SHOULD BE CONTACTED FOR THE LATEST REVISION.