



Chipsmall Limited consists of a professional team with an average of over 10 year of expertise in the distribution of electronic components. Based in Hongkong, we have already established firm and mutual-benefit business relationships with customers from,Europe,America and south Asia,supplying obsolete and hard-to-find components to meet their specific needs.

With the principle of "Quality Parts,Customers Priority,Honest Operation,and Considerate Service",our business mainly focus on the distribution of electronic components. Line cards we deal with include Microchip,ALPS,ROHM,Xilinx,Pulse,ON,Everlight and Freescale. Main products comprise IC,Modules,Potentiometer,IC Socket,Relay,Connector.Our parts cover such applications as commercial,industrial, and automotives areas.

We are looking forward to setting up business relationship with you and hope to provide you with the best service and solution. Let us make a better world for our industry!



## Contact us

Tel: +86-755-8981 8866 Fax: +86-755-8427 6832

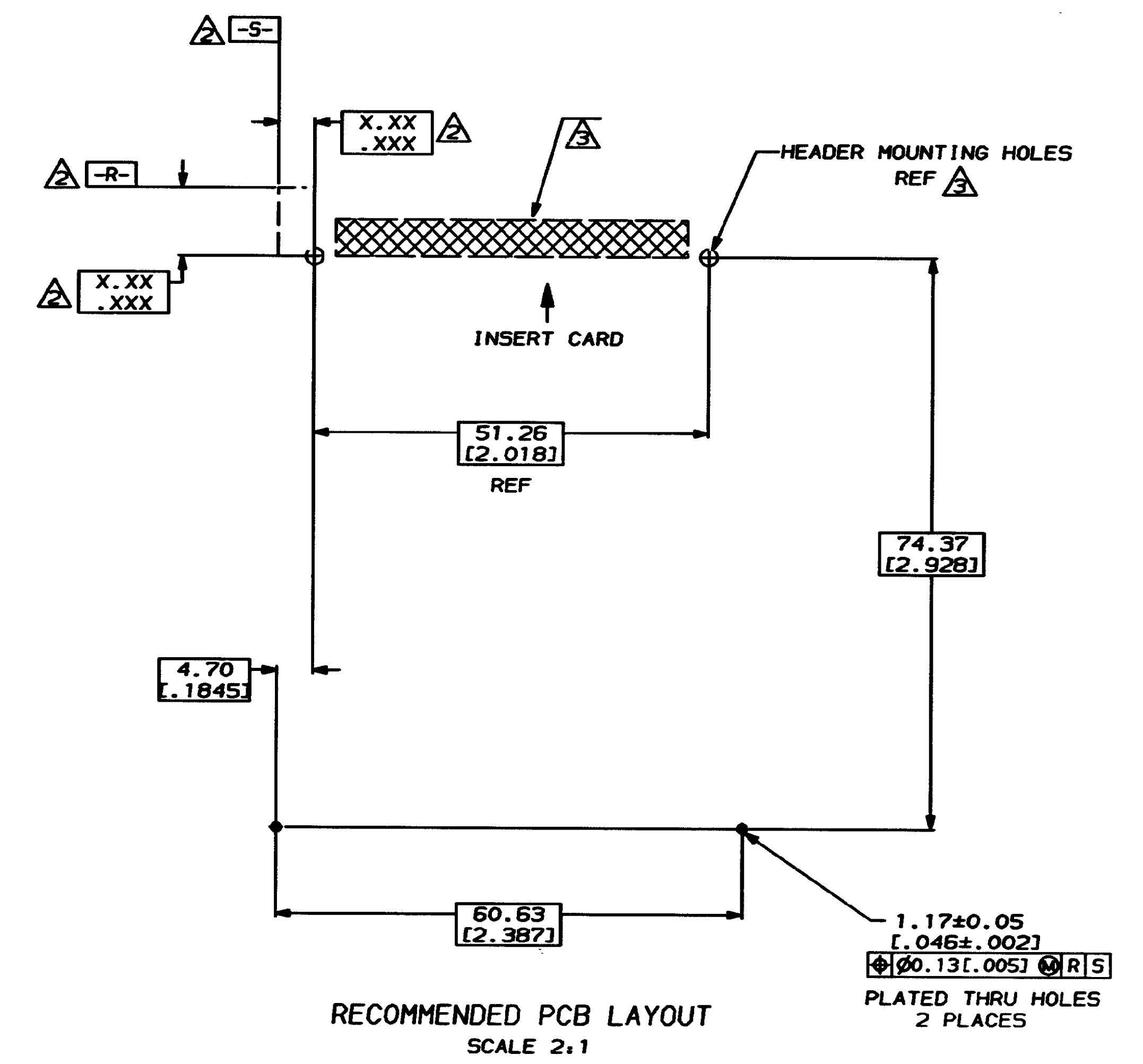
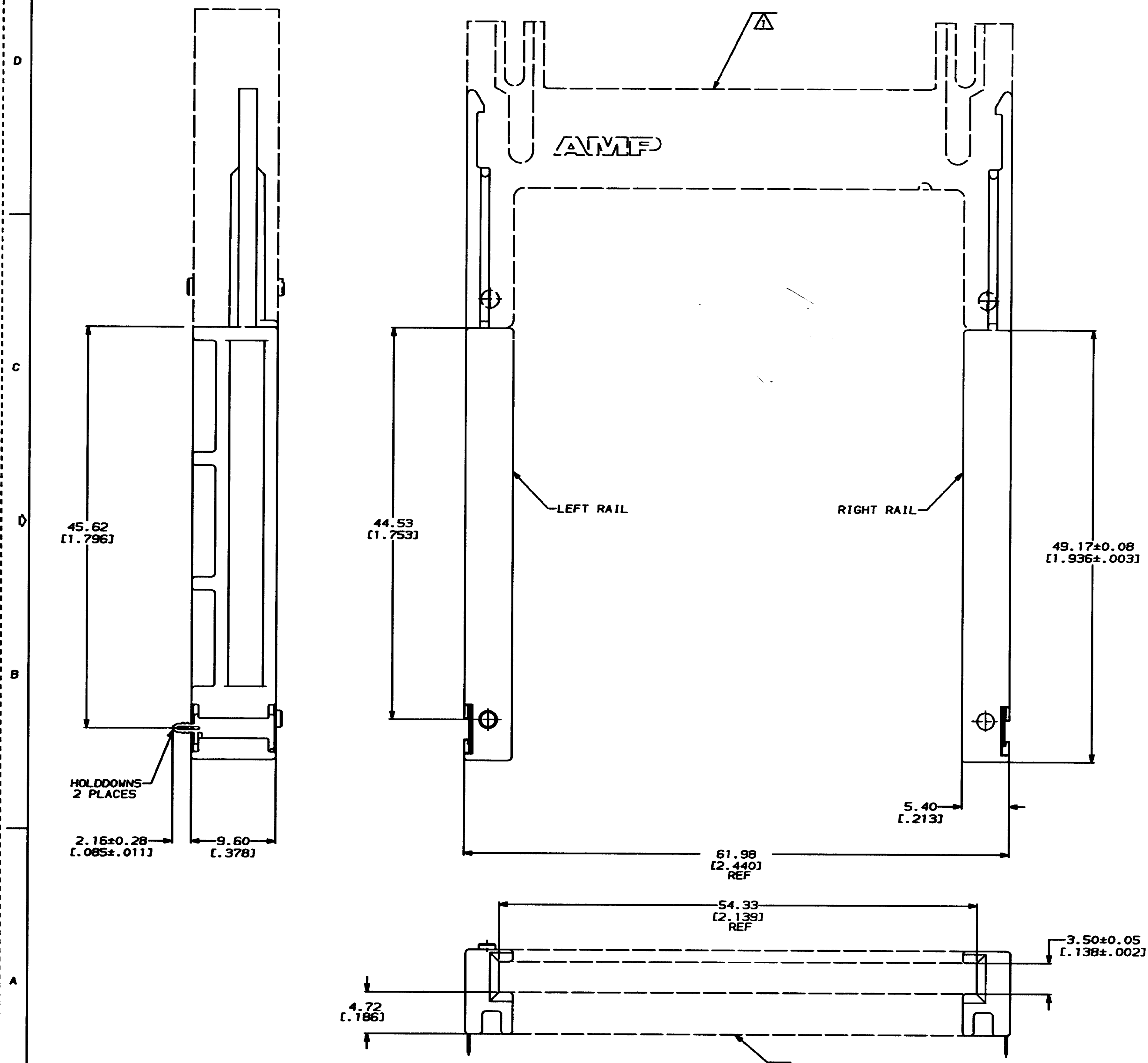
Email & Skype: info@chipsmall.com Web: www.chipsmall.com

Address: A1208, Overseas Decoration Building, #122 Zhenhua RD., Futian, Shenzhen, China



LIC		REV		REV		REV		REV		REV	
AD	39	P	F	ZONE	LTR	DESCRIPTION	DATE	APPD	DATE	APPD	
						RELEASED PER PPR	3/8/93	BE			

- ⚠ SMT OR THRU-HOLE HEADER ASSY NOT SUPPLIED AND MUST BE ORDERED SEPARATELY. CONTACT AMP INCORPORATED FOR HEADER PART NUMBER
- ⚠ DATUMS AND BASIC DIMENSIONS ESTABLISHED BY CUSTOMER
- ⚠ FOR HEADER PC BOARD LAYOUT SEE APPROPRIATE HEADER ASSEMBLY



DESCRIPTION	PART NO
RIGHT GUIDE RAIL WITH HOLDDOWN	535661-2
LEFT GUIDE RAIL WITH HOLDDOWN	535661-1

DO NOT SCALE PRINT. UNLESS SPECIFIED DIMENSIONS IN mm (INCHES) TOLERANCES ON: 2 PLC DEC ±0.13 [.005] 3 PLC DEC ± - ANGLES ± -		DR 3/8/93 J ROSE	AMP AMP Incorporated Harrisburg, PA 17105-3608	
RAIL: LCP - COLOR: BLACK HOLD DOWNS: PHOSPHOR BRONZE	APPD 3/8/93 B ELICKER	NAME	GUIDE RAILS, RAISED, EXTENDED, WITH THRU-HOLE HOLDDOWNS, AMP MEMORY CARD	
HOLD DOWNS: TIN	APPD 3/8/93 B FLINCHBAUGH	PRODUCT SPEC		
FINISH	APPLICATION SPEC	SIZE	CASE CODE	DRAWING NO
		D	00779	C-535661
WEIGHT 2.6 GRAMS	SCALE 4:1	SHEET 1 OF 1		

THIS DRAWING IS A CONTROLLED DOCUMENT FOR AMP INCORPORATED. IT IS SUBJECT TO CHANGE AND THE CONTROLLING ENGINEERING ORGANIZATION SHOULD BE CONTACTED FOR THE LATEST REVISION.