



Chipsmall Limited consists of a professional team with an average of over 10 year of expertise in the distribution of electronic components. Based in Hongkong, we have already established firm and mutual-benefit business relationships with customers from,Europe,America and south Asia,supplying obsolete and hard-to-find components to meet their specific needs.

With the principle of "Quality Parts,Customers Priority,Honest Operation,and Considerate Service",our business mainly focus on the distribution of electronic components. Line cards we deal with include Microchip,ALPS,ROHM,Xilinx,Pulse,ON,Everlight and Freescale. Main products comprise IC,Modules,Potentiometer,IC Socket,Relay,Connector.Our parts cover such applications as commercial,industrial, and automotives areas.

We are looking forward to setting up business relationship with you and hope to provide you with the best service and solution. Let us make a better world for our industry!



Contact us

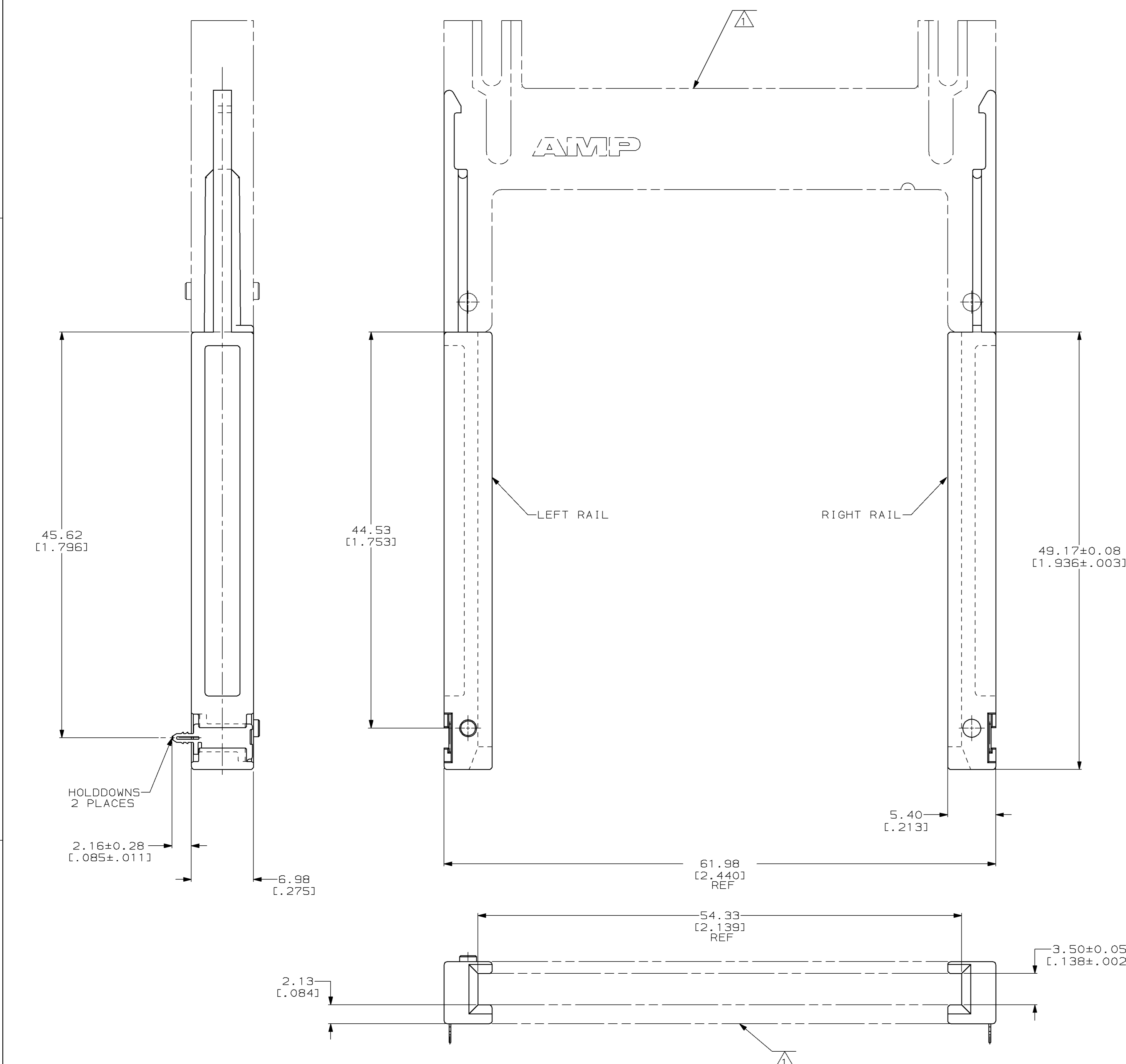
Tel: +86-755-8981 8866 Fax: +86-755-8427 6832

Email & Skype: info@chipsmall.com Web: www.chipsmall.com

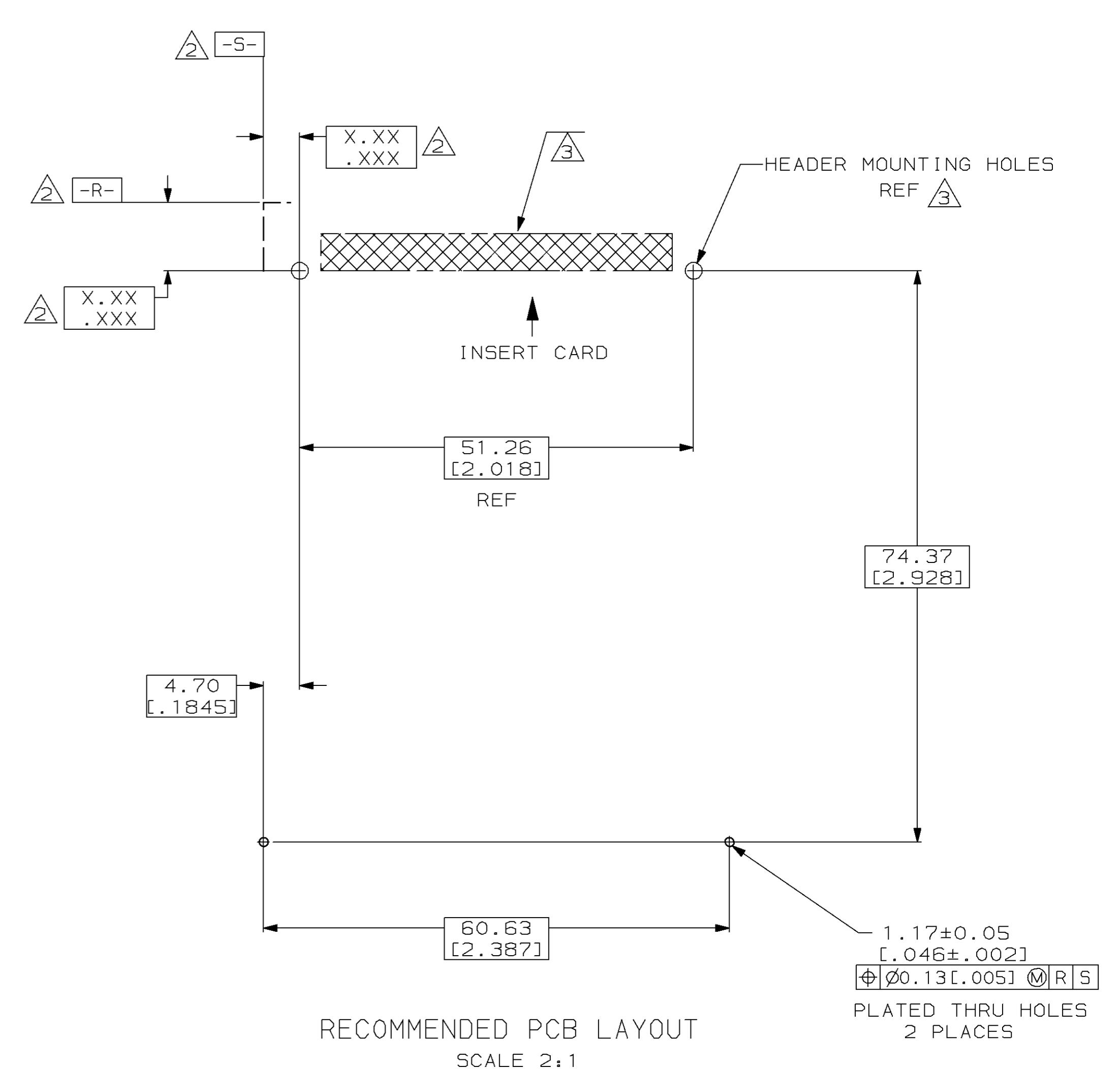
Address: A1208, Overseas Decoration Building, #122 Zhenhua RD., Futian, Shenzhen, China



LOC		DIST		ZONE		LTR		REVISIONS			
AD	39	P	F					DESCRIPTION	DATE	APPD	
								0	RELEASED PER PPR	3/8/93	BE



- ⚠ SMT OR THRU-HOLE HEADER ASSY NOT SUPPLIED AND MUST BE ORDERED SEPERATELY. CONTACT AMP INCORPORATED FOR HEADER PART NUMBER
- ⚠ DATUMS AND BASIC DIMENSIONS ESTABLISHED BY CUSTOMER
- ⚠ FOR HEADER PC BOARD LAYOUT SEE APPROPRIATE HEADER ASSEMBLY



DESCRIPTION	PART NO
RIGHT GUIDE RAIL WITH HOLDDOWN	535664-2
LEFT GUIDE RAIL WITH HOLDDOWN	535664-1

DO NOT SCALE PRINT. UNLESS SPECIFIED DIMENSIONS IN mm [INCHES] TOLERANCES ON: 2 PLC DEC ± 0.13 [.005] 3 PLC DEC ± - ANGLES ± -	DR 3/8/93 J MOSER	AMP Incorporated Harrisburg, PA 17105-3608
RAIL: LCP - COLOR: BLACK HOLD DOWNS: PHOSPHOR BRONZE	CHK 3/8/93 B ELICKER	
FINISH HOLD DOWNS: TIN	APPD 3/8/93 B ELICKER	NAME GUIDE RAILS, EXTENDED, WITH THRU-HOLE HOLDDOWNS, AMP MEMORY CARD
	APPD 3/8/93 B FLINCHBAUGH	PRODUCT SPEC
	APPLICATION SPEC	SIZE D
	WEIGHT 2.1 GRAMS	CAGE CODE 00779
		DRAWING NO C=535664
		SCALE 4:1
		SHEET 1 OF 1

THIS DRAWING IS A CONTROLLED DOCUMENT FOR AMP INCORPORATED. IT IS SUBJECT TO CHANGE AND THE CONTROLLING ENGINEERING ORGANIZATION SHOULD BE CONTACTED FOR THE LATEST REVISION.