



Chipsmall Limited consists of a professional team with an average of over 10 year of expertise in the distribution of electronic components. Based in Hongkong, we have already established firm and mutual-benefit business relationships with customers from,Europe,America and south Asia,supplying obsolete and hard-to-find components to meet their specific needs.

With the principle of “Quality Parts,Customers Priority,Honest Operation,and Considerate Service”,our business mainly focus on the distribution of electronic components. Line cards we deal with include Microchip,ALPS,ROHM,Xilinx,Pulse,ON,Everlight and Freescale. Main products comprise IC,Modules,Potentiometer,IC Socket,Relay,Connector.Our parts cover such applications as commercial,industrial, and automotives areas.

We are looking forward to setting up business relationship with you and hope to provide you with the best service and solution. Let us make a better world for our industry!



Contact us

Tel: +86-755-8981 8866 Fax: +86-755-8427 6832

Email & Skype: info@chipsmall.com Web: www.chipsmall.com

Address: A1208, Overseas Decoration Building, #122 Zhenhua RD., Futian, Shenzhen, China



4

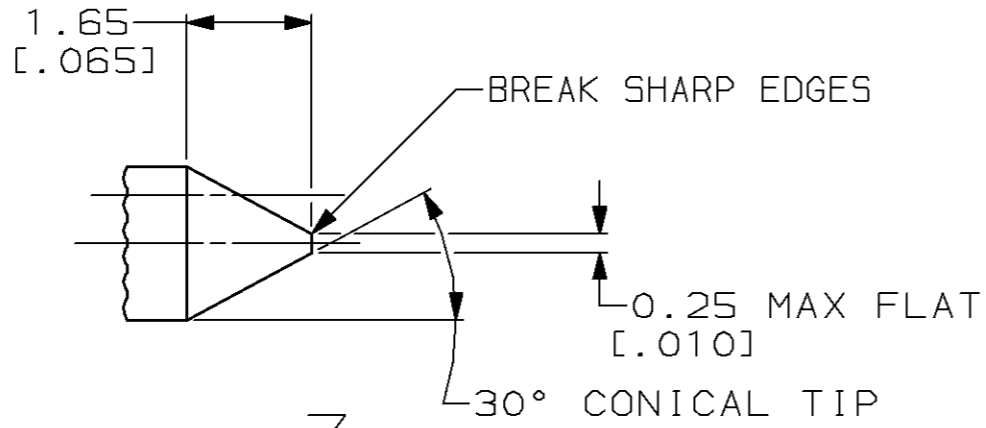
3

2

1

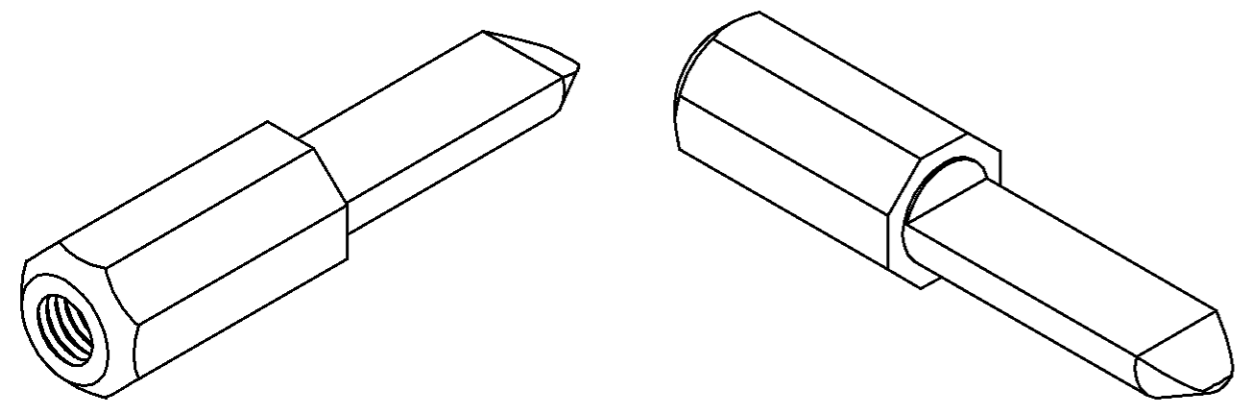
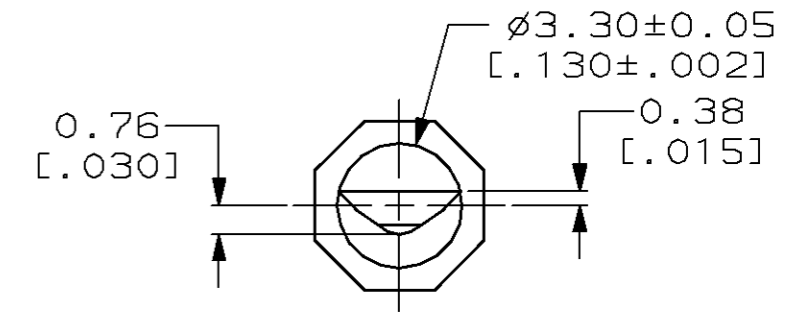
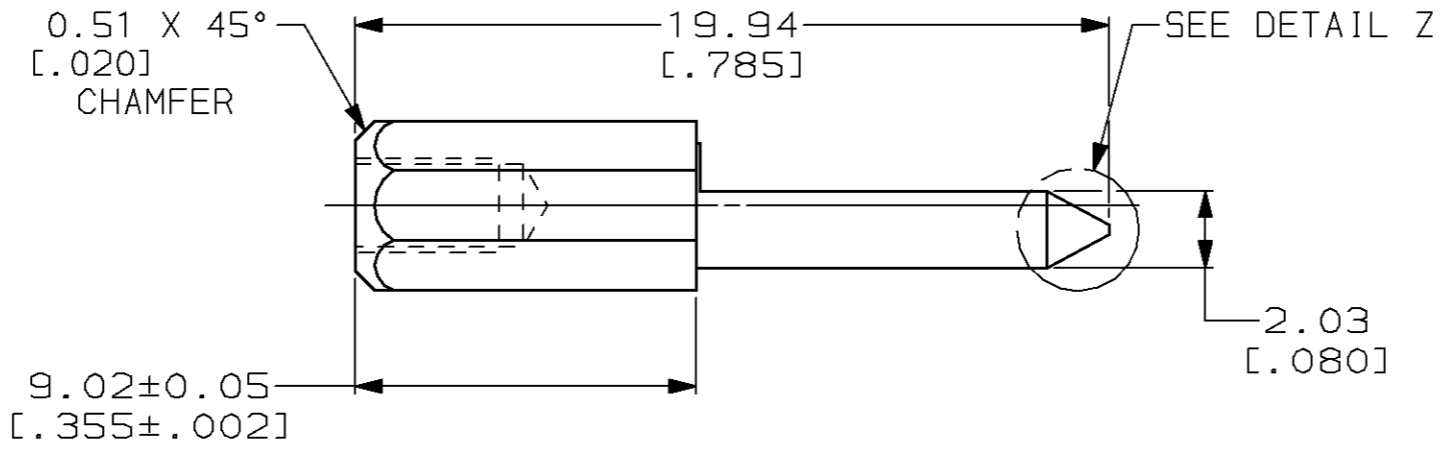
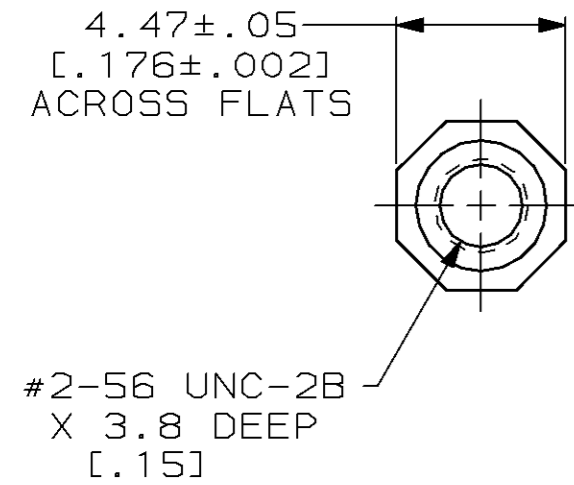
THIS DRAWING IS UNPUBLISHED. RELEASED FOR PUBLICATION, 19 .
 © COPYRIGHT 19 BY AMP INCORPORATED. ALL RIGHTS RESERVED.

LOC	DIST	REVISIONS			
P	LTR	DESCRIPTION	DATE	DWN	APVD
AD	25	D	REDRAWN & REVISED PER 0410-0144-96	11-19-96	TS WM



DETAIL Z
SCALE 10:1

- 1 MATERIAL: STAINLESS STEEL.
- 2 FINISH: PASSIVATED



535839-2
PART NUMBER

THIS DRAWING IS A CONTROLLED DOCUMENT.		DWN T. SHUEY 11-19-96	AMP AMP Incorporated Harrisburg, PA 17105-3608
		CHK W. MILLHIMES 11-20-96	
DIMENSIONS: mm [INCHES]		APVD W. MILLHIMES 11-20-96	NAME
TOLERANCES UNLESS OTHERWISE SPECIFIED:		PRODUCT SPEC	POLARIZING PIN, TBC PLUS
0 PLC ± _____		APPLICATION SPEC	SIZE
1 PLC ± _____		WEIGHT	A3
2 PLC ± 3.8 [0.02]		CUSTOMER DRAWING	CAGE CODE
3 PLC ± 0.13 [0.005]		SCALE	00779
4 PLC ± _____		SHEET	1 OF 1
ANGLES ± _____		REV	D
MATERIAL	FINISH	DRAWING NO	
1	2	C-535839	