



Chipsmall Limited consists of a professional team with an average of over 10 year of expertise in the distribution of electronic components. Based in Hongkong, we have already established firm and mutual-benefit business relationships with customers from,Europe,America and south Asia,supplying obsolete and hard-to-find components to meet their specific needs.

With the principle of "Quality Parts,Customers Priority,Honest Operation,and Considerate Service",our business mainly focus on the distribution of electronic components. Line cards we deal with include Microchip,ALPS,ROHM,Xilinx,Pulse,ON,Everlight and Freescale. Main products comprise IC,Modules,Potentiometer,IC Socket,Relay,Connector.Our parts cover such applications as commercial,industrial, and automotives areas.

We are looking forward to setting up business relationship with you and hope to provide you with the best service and solution. Let us make a better world for our industry!



Contact us

Tel: +86-755-8981 8866 Fax: +86-755-8427 6832

Email & Skype: info@chipsmall.com Web: www.chipsmall.com

Address: A1208, Overseas Decoration Building, #122 Zhenhua RD., Futian, Shenzhen, China



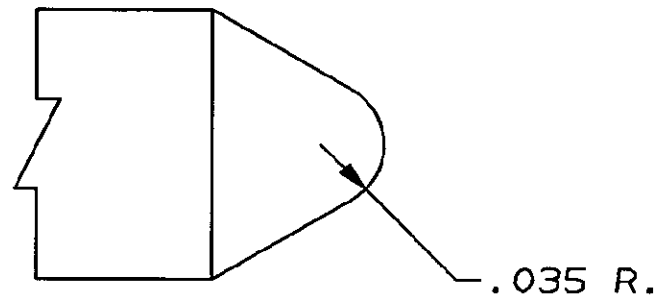
DRAWING MADE IN THIRD ANGLE PROJECTION

THIS DRAWING IS UNPUBLISHED. RELEASED FOR PUBLICATION ,19

© COPYRIGHT 19

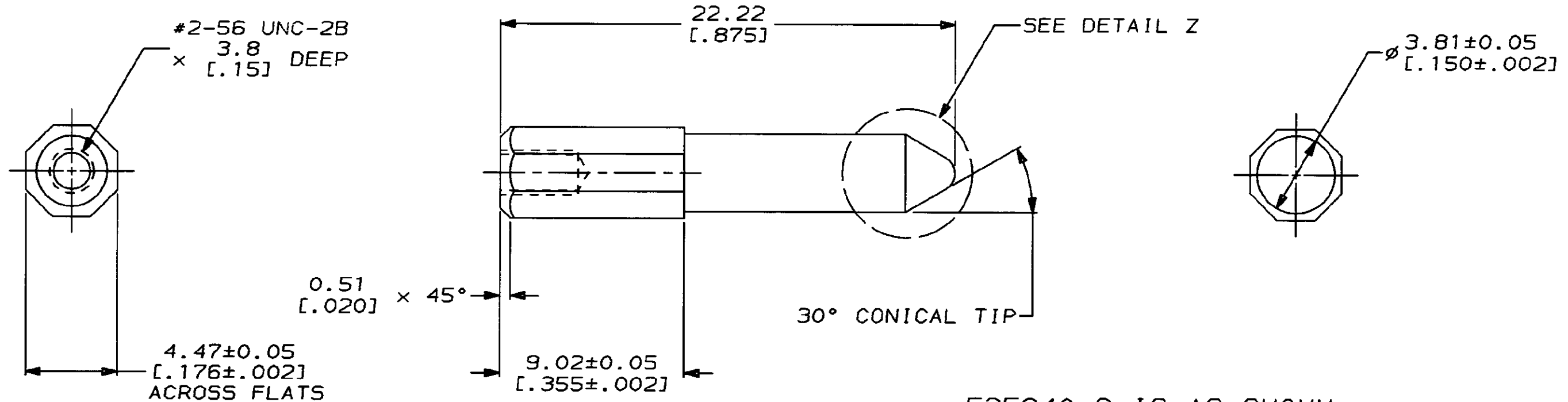
BY AMP INCORPORATED. ALL INTERNATIONAL RIGHTS RESERVED.

LOC	DIST	P	F	REVISIONS			DATE	APPD
				ZONE	LTR	DESCRIPTION		
AD	25			B	ECN AD		01/21/91	-
				C	REV.PER ECN.AD6617		7/21/92	TH

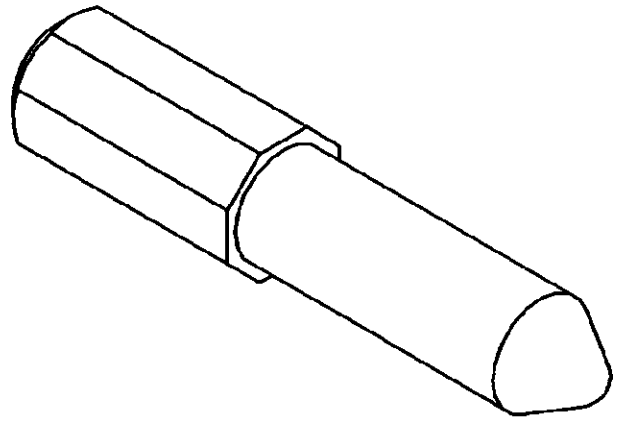


DETAIL Z
SCALE 10:1

- ① MATERIAL: STAINLESS STEEL
- ② FINISH: PASSIVATED



535840-2 IS AS SHOWN.



METRIC

DO NOT SCALE PRINT. UNLESS SPECIFIED DIMENSIONS IN mm (INCHES) TOLERANCES ON: 2 PLC DEC ± - 3 PLC DEC ± 0.13 [.005] ANGLES ± -		DR 01/21/91 R.K. SEIFRIED/UTA		PART NO	
MATERIAL ①		CHK 9/3/92 J.D. WEARY		AMP AMP Incorporated Harrisburg, PA 17105-3608	
FINISH ②		APPD 9/3/92 J.D. WEARY		NAME TBC PLUS, GUIDE PIN	
APPLICATION SPEC -		APPD 9/3/92 J.D. WEARY		SIZE B	CAGE CODE 00779
WEIGHT -		PRODUCT SPEC -		SCALE 5:1	DRAWING NO 535840
				SHEET 1 OF 1	