



Chipsmall Limited consists of a professional team with an average of over 10 year of expertise in the distribution of electronic components. Based in Hongkong, we have already established firm and mutual-benefit business relationships with customers from,Europe,America and south Asia,supplying obsolete and hard-to-find components to meet their specific needs.

With the principle of “Quality Parts,Customers Priority,Honest Operation,and Considerate Service”,our business mainly focus on the distribution of electronic components. Line cards we deal with include Microchip,ALPS,ROHM,Xilinx,Pulse,ON,Everlight and Freescale. Main products comprise IC,Modules,Potentiometer,IC Socket,Relay,Connector.Our parts cover such applications as commercial,industrial, and automotives areas.

We are looking forward to setting up business relationship with you and hope to provide you with the best service and solution. Let us make a better world for our industry!



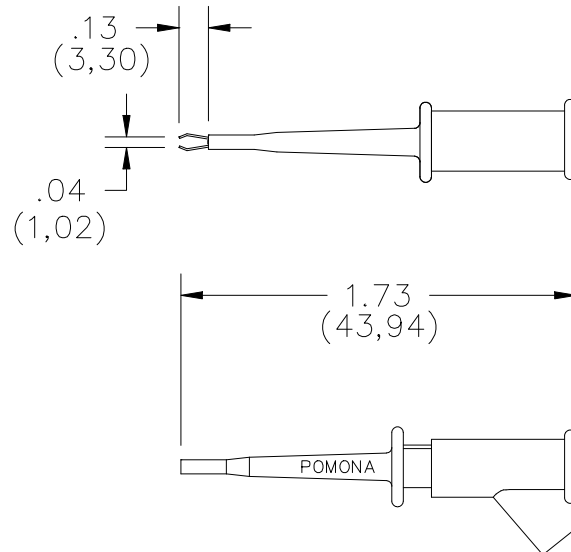
## Contact us

Tel: +86-755-8981 8866 Fax: +86-755-8427 6832

Email & Skype: info@chipsmall.com Web: www.chipsmall.com

Address: A1208, Overseas Decoration Building, #122 Zhenhua RD., Futian, Shenzhen, China





### FEATURES:

- The SMD Grabber® Test Clip is especially suited for testing surface mounted packages on centers as small as 0.635mm (.025in).
- Pincer-like contact grasps individual legs of SMD's such as the SOIC, SOJ, PLCC, etc.
- Its circular design and small size have been developed for easy use and handling.
- Mates with Model #4772 or 4741 square pin receptacles.

### MATERIALS:

#### 1<sup>st</sup> End:

Contact: Stainless steel, selectively gold plated.

Insulation: Glass filled Nylon

#### 2<sup>nd</sup> End:

Square pin, phosphor bronze, gold plated.

### RATINGS:

Operating Temperature: +102°C (+216°F) Max

Operating Voltage: 30VAC/60VDC

Current: 0.5 Amperes

### ORDERING INFORMATION: Model 5360-\*

\*=Color, -0 Black, -2 Red

Additional colors can be quoted upon request.

Ordering Example: 5360-2 Color is Red

All dimensions are in inches. Tolerances (except noted): .xx = ±.02" (.51 mm), .xxx = ± .005" (.127 mm).

All specifications are to the latest revisions. Specifications are subject to change without notice.

Registered trademarks are the property of their respective companies. Made in USA