



Chipsmall Limited consists of a professional team with an average of over 10 year of expertise in the distribution of electronic components. Based in Hongkong, we have already established firm and mutual-benefit business relationships with customers from,Europe,America and south Asia,supplying obsolete and hard-to-find components to meet their specific needs.

With the principle of “Quality Parts,Customers Priority,Honest Operation,and Considerate Service”,our business mainly focus on the distribution of electronic components. Line cards we deal with include Microchip,ALPS,ROHM,Xilinx,Pulse,ON,Everlight and Freescale. Main products comprise IC,Modules,Potentiometer,IC Socket,Relay,Connector.Our parts cover such applications as commercial,industrial, and automotives areas.

We are looking forward to setting up business relationship with you and hope to provide you with the best service and solution. Let us make a better world for our industry!



Contact us

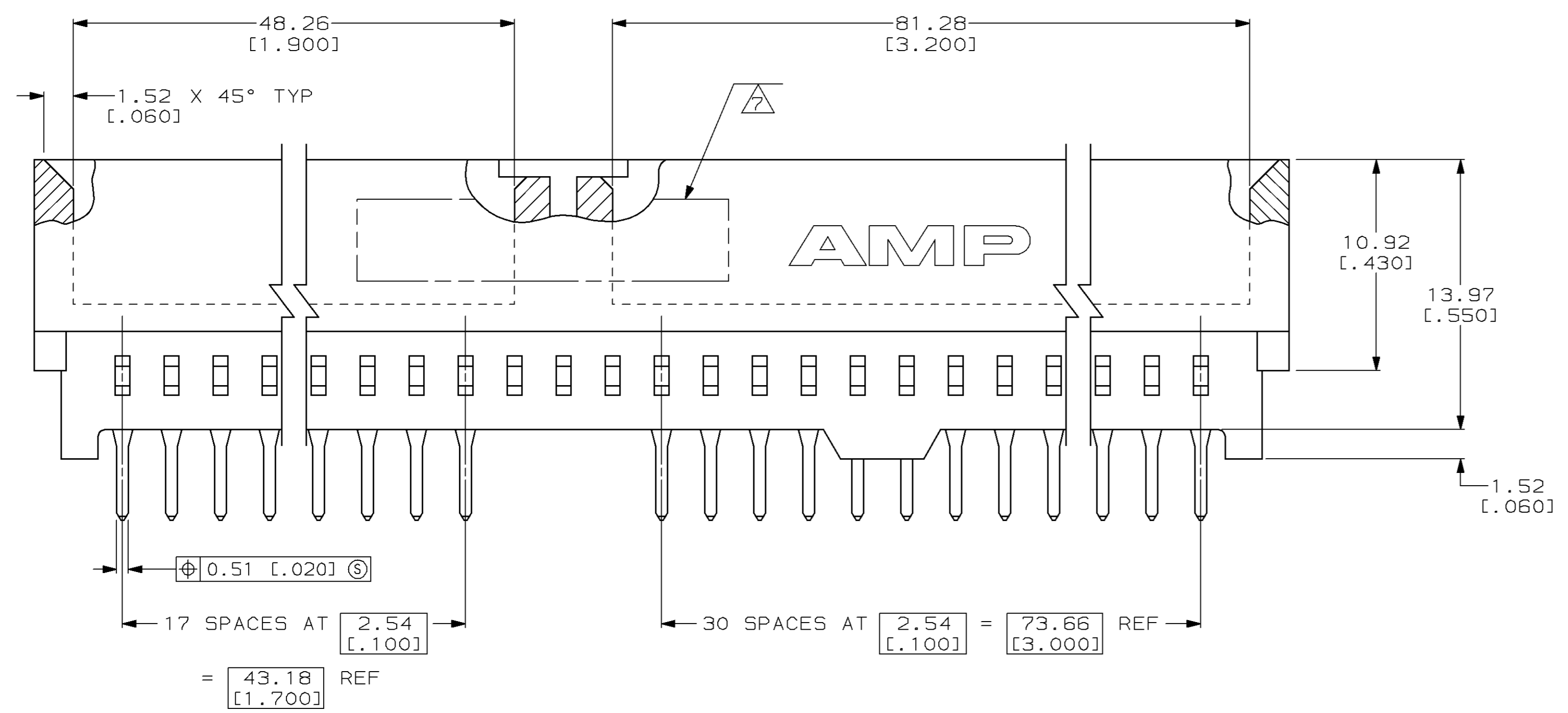
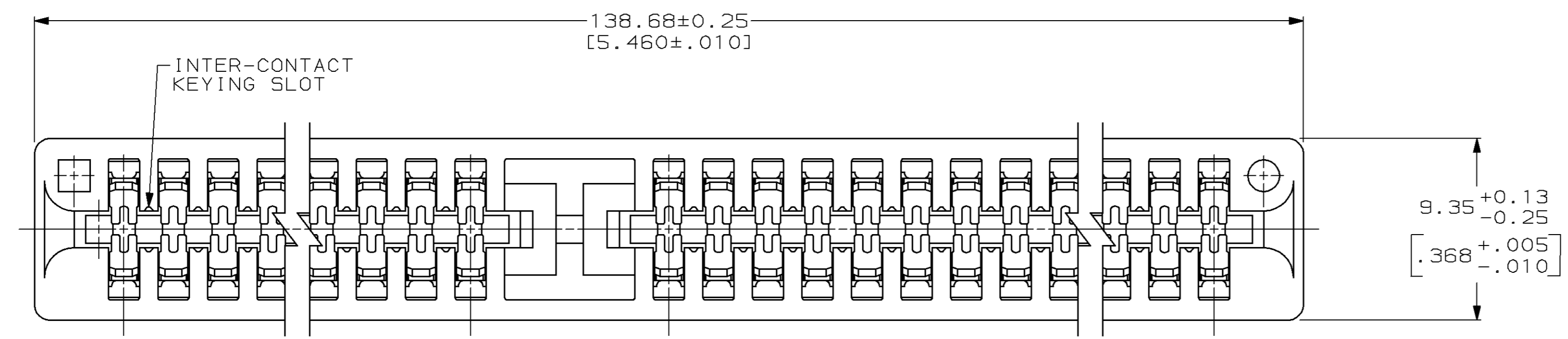
Tel: +86-755-8981 8866 Fax: +86-755-8427 6832

Email & Skype: info@chipsmall.com Web: www.chipsmall.com

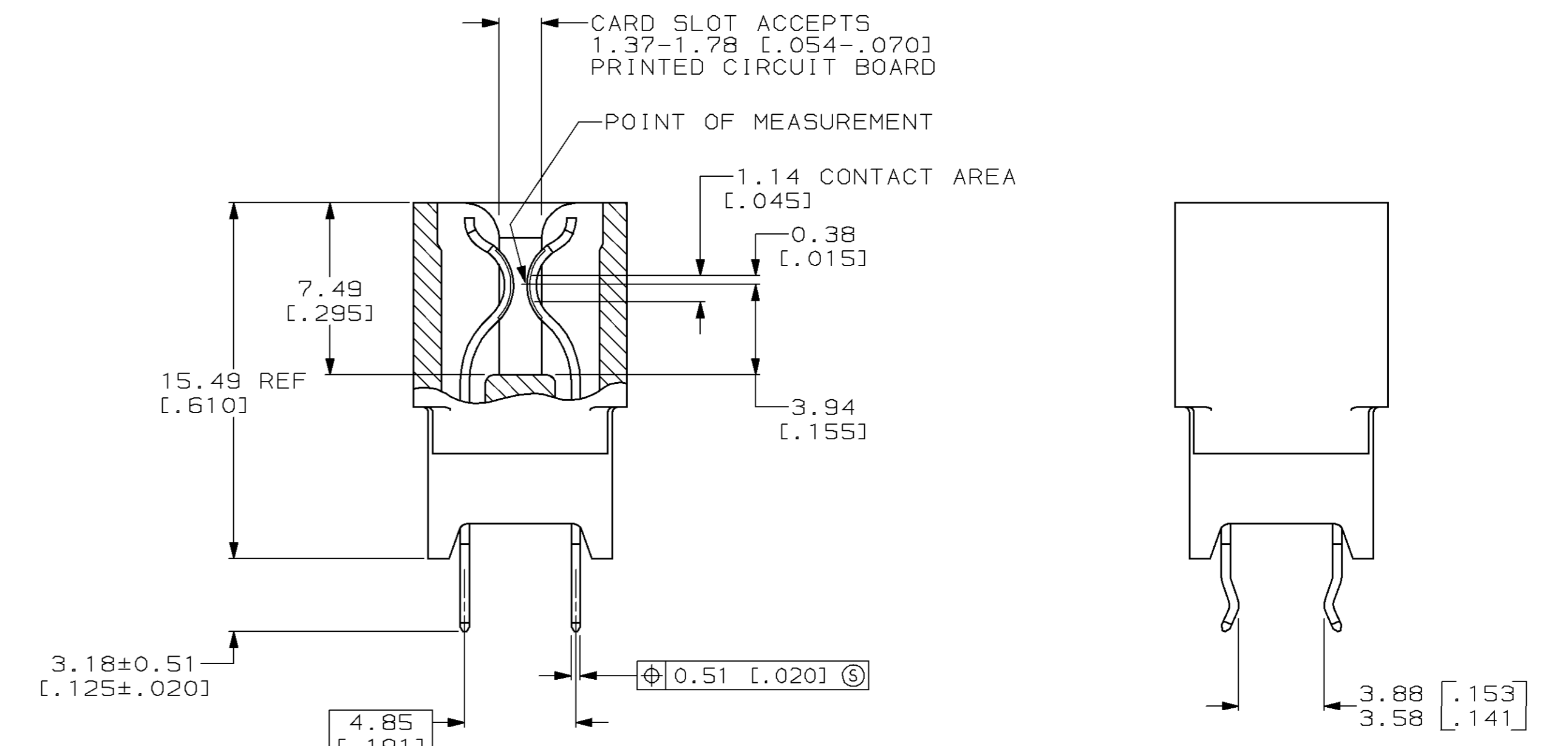
Address: A1208, Overseas Decoration Building, #122 Zhenhua RD., Futian, Shenzhen, China



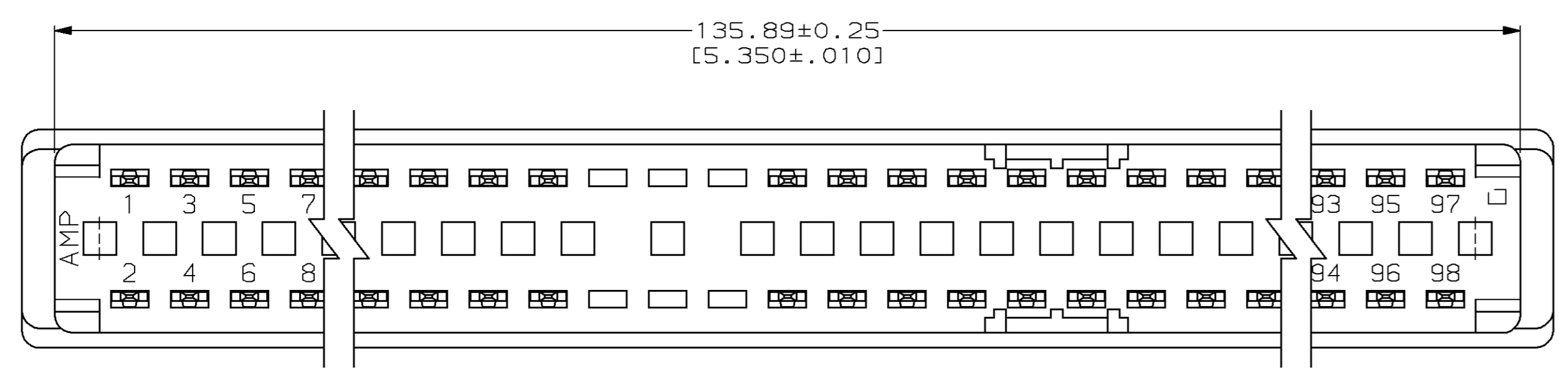
LOC	DIST	P	F	ZONE	LTR	DESCRIPTION	DATE	APPD
AD	14					O DWN PER 91-5256-020	1-92	JSD
						A REVISED PER 0010-0365-95	6/27/95	RB JD
						B REVISED PER 0010-0901-95	9/21/95	RB JD
						C REVISED PER 0010-1475-95	11/29/95	RB DG
						D REVISED PER 0430-0345-97	9/23/97	RB MP
						E REVISED PER 0430-0323-97	9/23/97	RB MP



- △ HOUSING MATERIAL: GLASS FILLED POLYESTER, IR REFLOW COMPATIBLE, COLOR: GRAY.
- △ CONTACT: PHOSPHOR BRONZE.
- △ NICKEL PLATE: 0.00127 [0.00050] MIN - ALL OVER.
- △ TIN-LEAD PLATE: 0.00254 [0.00100] MIN - SOLDER POSTS.
- △ GOLD PLATE: 0.00076 [0.00030] MIN - CONTACT AREA.
- △ NICKEL PLATE PER MIL-G-45204. GOLD PLATE PER QQ-N-290.
- △ PART NUMBER, DATE CODE AND CSA LOGO ARE MARKED IN APPROXIMATE AREA SHOWN, EITHER SIDE.
- 8. RECOMMENDED PCB FINISHED HOLE DIA: 1.02±0.08 [0.040±.003].
- 9. THE RETENTIVE FEATURE OF THIS CONNECTOR IS DESIGNED FOR FULL SEATING IN .062±.008 THICK CIRCUIT BOARDS. FOR APPLICATIONS IN BOARDS OF OTHER THICKNESSES CONTACT AMP INCORPORATED.



BOARD RETENTION FEATURE



OBsolete	TUBE	NONE	49	536128-3
OBsolete	TUBE	3-6, 41, 42, 51, 52, 93-96	49	536128-2
	TRAY	NONE	49	536128-1
	PACKAGE	BOARD RETENTION LOCATION	NO OF POSN	PART NUMBER

DO NOT SCALE PRINT. UNLESS SPECIFIED DIMENSIONS IN mm [INCHES] TOLERANCES ON: 1 PLG DEC ± 0.13 [0.005] 2 PLG DEC ± 0.13 [0.005] 3 PLG DEC ± - ANGLES ± -	DR 10/29/91 R. SHIREY/UTA CHK 1-30-92 J DIORAZIO APPD 1-30-92 J DIORAZIO M THUMMA PRODUCT SPEC 108-9039	AMP AMP Incorporated Harrisburg, PA 17105-3608 NAME CONNECTOR ASSEMBLY, STANDARD EDGE II, 2.54 [0.100] ϕ , 18/31 POSITION HI-TEMP		
FINISH △△ △△△△	APPLICATION SPEC -	SIZE D	CAGE CODE 00779	DRAWING NO 536128
WEIGHT	-	SCALE 5:1	SHEET 1 OF 1	

