



Chipsmall Limited consists of a professional team with an average of over 10 year of expertise in the distribution of electronic components. Based in Hongkong, we have already established firm and mutual-benefit business relationships with customers from,Europe,America and south Asia,supplying obsolete and hard-to-find components to meet their specific needs.

With the principle of “Quality Parts,Customers Priority,Honest Operation,and Considerate Service”,our business mainly focus on the distribution of electronic components. Line cards we deal with include Microchip,ALPS,ROHM,Xilinx,Pulse,ON,Everlight and Freescale. Main products comprise IC,Modules,Potentiometer,IC Socket,Relay,Connector.Our parts cover such applications as commercial,industrial, and automotives areas.

We are looking forward to setting up business relationship with you and hope to provide you with the best service and solution. Let us make a better world for our industry!



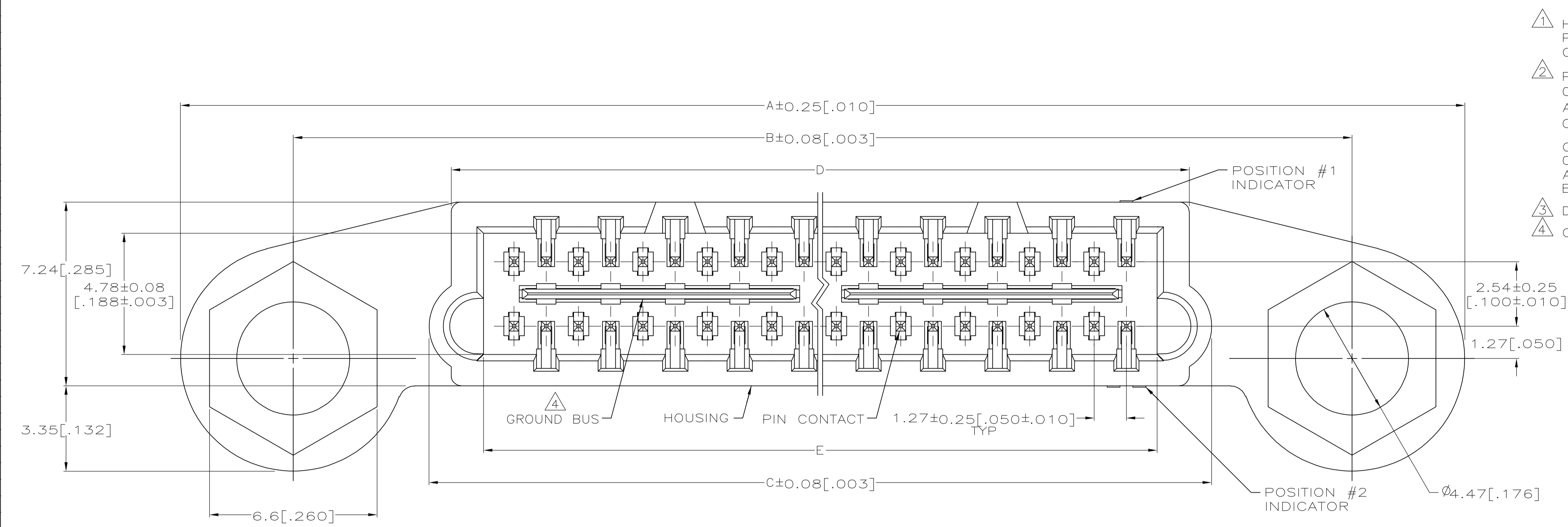
Contact us

Tel: +86-755-8981 8866 Fax: +86-755-8427 6832

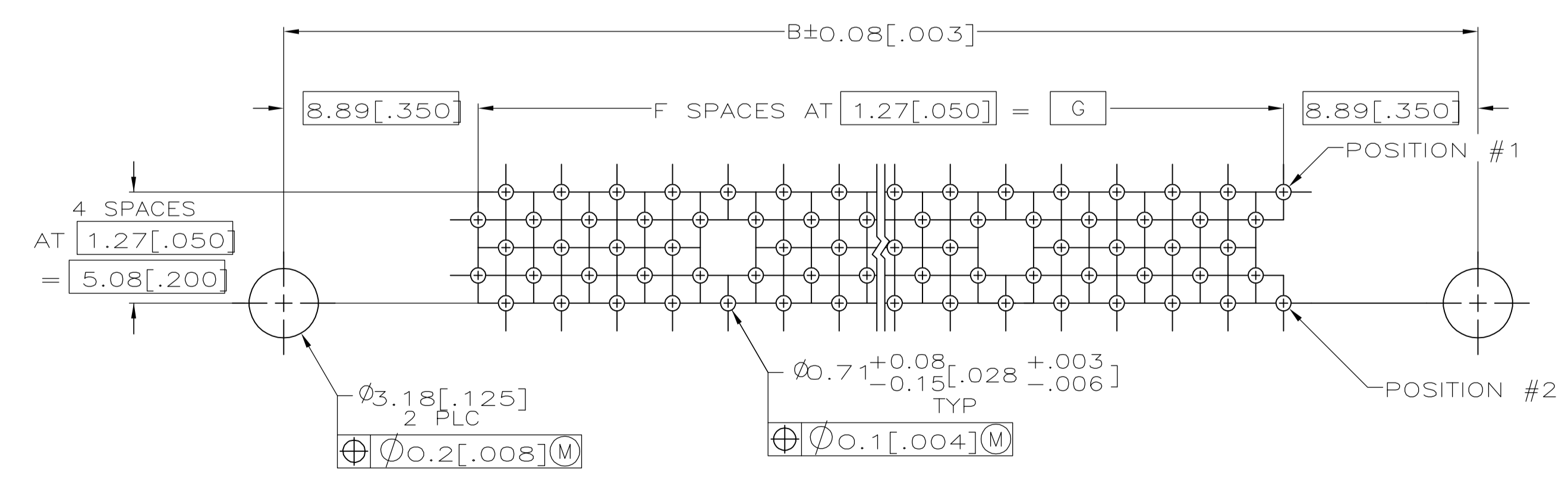
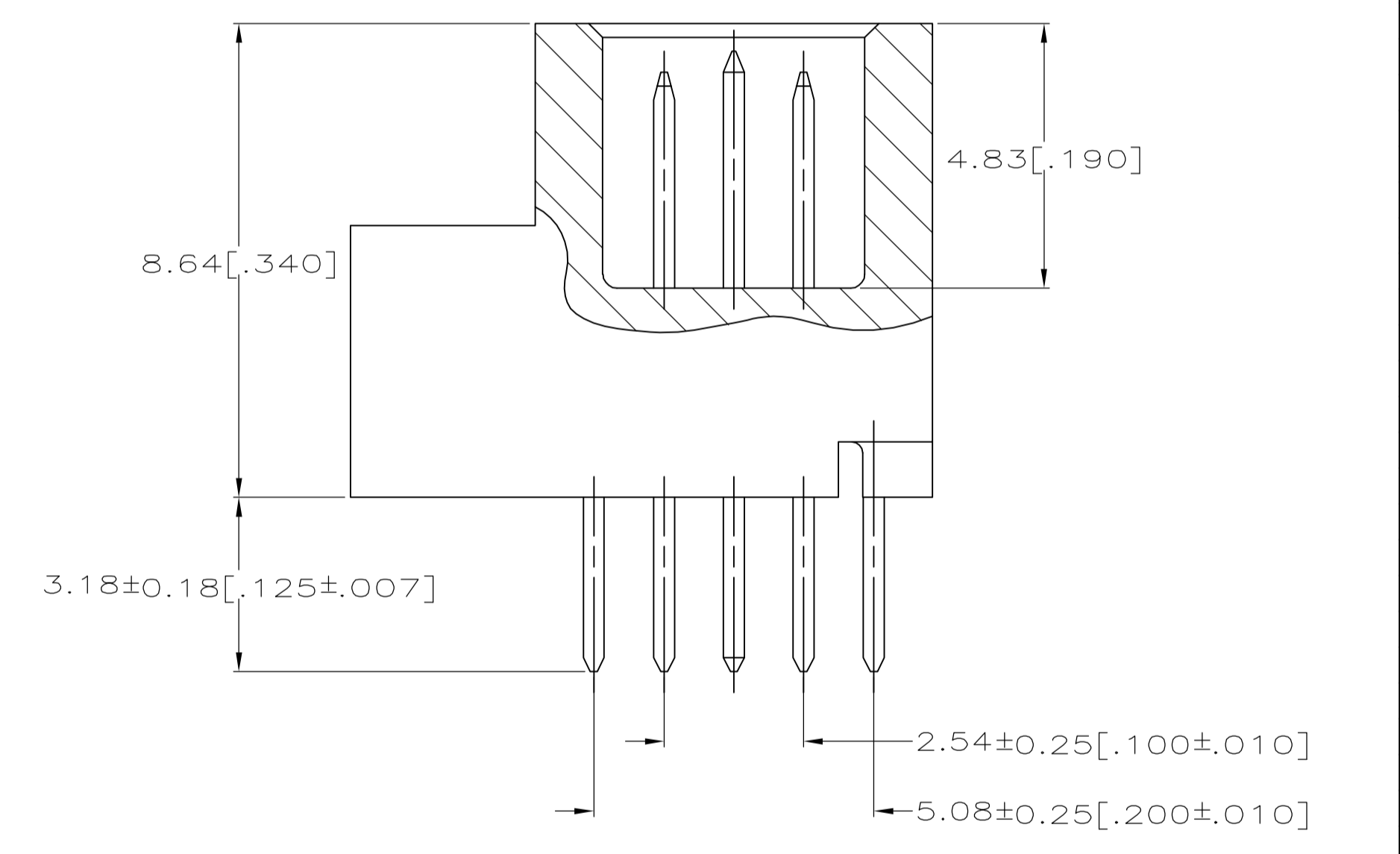
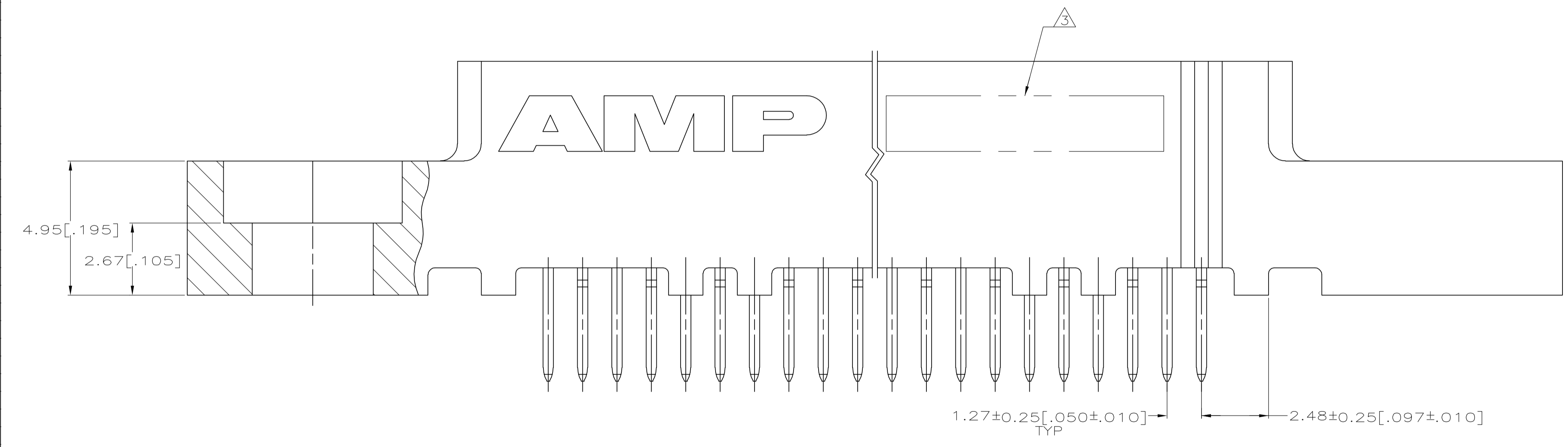
Email & Skype: info@chipsmall.com Web: www.chipsmall.com

Address: A1208, Overseas Decoration Building, #122 Zhenhua RD., Futian, Shenzhen, China





- ① HOUSING: HIGH TEMPERATURE THERMOPLASTIC, COLOR NATURAL.
PIN CONTACTS: PHOSPHOR BRONZE.
GROUND BUSES: PHOSPHOR BRONZE.
- ② PIN CONTACTS: 0.00076[.000030] MIN GOLD IN CONTACT AREA, 0.00063-0.00191[.000025-.000075] TIN-LEAD ON SOLDER TAIL, ALL OVER 0.00127-0.00254[.000050-.000100] NICKEL ON ENTIRE CONTACT.
- GROUND BUSES: 0.00076[.000030] MIN GOLD IN CONTACT AREA, 0.00063-0.00191[.000025-.000075] TIN-LEAD ON SOLDER TAIL, ALL OVER 0.00127-0.00254[.000050-.000100] NICKEL ON ENTIRE BUS.
- ③ DATE CODE MARKED IN AREA INDICATED.
- ④ ONE GROUND BUS WITH 4 TAILS PER EACH 20 PIN CONTACTS.



OBSOLETE	151.13 [5.950]	119	153.62 [6.048]	156.08 [6.145]	157.84 [6.214]	168.91 [6.650]	177.8 [7.000]	240	536303-6
OBSOLETE	128.43 [5.450]	109	104.92 [5.548]	143.38 [5.645]	145.14 [5.714]	156.21 [6.150]	165.1 [6.500]	220	536303-5
	125.73 [4.950]	99	128.22 [5.048]	130.68 [5.145]	132.44 [5.214]	143.51 [5.650]	152.4 [6.000]	200	536303-4
OBSOLETE	113.03 [4.450]	89	115.52 [4.548]	117.98 [4.645]	119.74 [4.714]	130.81 [5.150]	139.7 [5.500]	180	536303-3
	100.33 [3.950]	79	102.82 [4.048]	105.28 [4.145]	107.04 [4.214]	118.11 [4.650]	127 [5.000]	160	536303-2
	87.63 [3.450]	69	90.12 [3.548]	92.58 [3.645]	94.34 [3.714]	105.41 [4.150]	114.3 [4.500]	140	536303-1
	G	F	E	D	C	B	A	NO OF POS	PART NUMBER

RECOMMENDED PC BOARD HOLE LAYOUT
 (VIEWED FROM CONNECTOR SIDE)
 SCALE 5:1

THIS DRAWING IS A CONTROLLED DOCUMENT.

DIMENSIONS: mm [INCHES]	TOLERANCES UNLESS OTHERWISE SPECIFIED:	DIN J.GERACE 1-28-93	tyco Electronics Tyco Electronics Corporation Harrisburg, PA 17105-3608
0 PLC ± -	1 PLC ± -	CIK J.GERACE 1-28-93	NAME
2 PLC ± -	3 PLC ± 0.13[.005]	APVD J.GERACE 1-28-93	PRODUCT SPEC
4 PLC ± -	ANGLES ± -	PRODUCT SPEC	108-1272
MATERIAL ①	FINISH ②	APPLICATION SPEC	SIZE
		WEIGHT	00779
		CUSTOMER DRAWING	SCALE 10:1 SHEET 1 OF 1 REV G1