



Chipsmall Limited consists of a professional team with an average of over 10 year of expertise in the distribution of electronic components. Based in Hongkong, we have already established firm and mutual-benefit business relationships with customers from,Europe,America and south Asia,supplying obsolete and hard-to-find components to meet their specific needs.

With the principle of "Quality Parts,Customers Priority,Honest Operation,and Considerate Service",our business mainly focus on the distribution of electronic components. Line cards we deal with include Microchip,ALPS,ROHM,Xilinx,Pulse,ON,Everlight and Freescale. Main products comprise IC,Modules,Potentiometer,IC Socket,Relay,Connector.Our parts cover such applications as commercial,industrial, and automotives areas.

We are looking forward to setting up business relationship with you and hope to provide you with the best service and solution. Let us make a better world for our industry!



## Contact us

Tel: +86-755-8981 8866 Fax: +86-755-8427 6832

Email & Skype: info@chipsmall.com Web: www.chipsmall.com

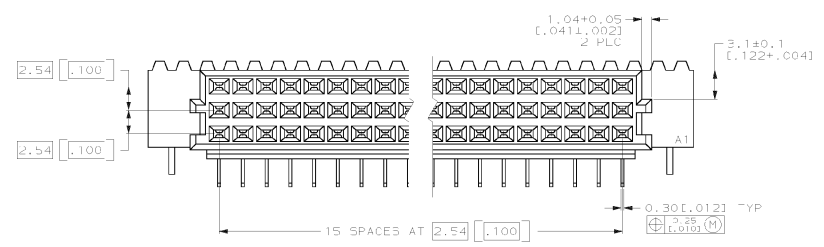
Address: A1208, Overseas Decoration Building, #122 Zhenhua RD., Futian, Shenzhen, China



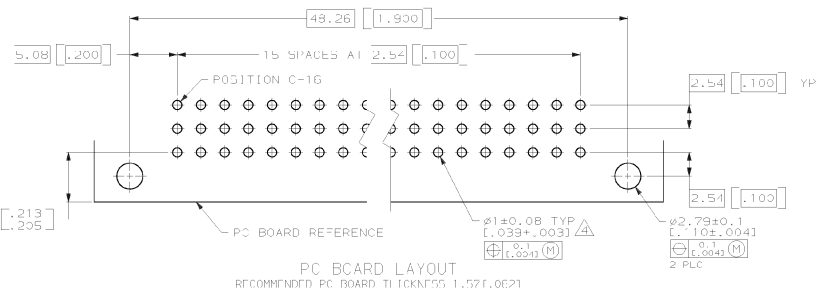
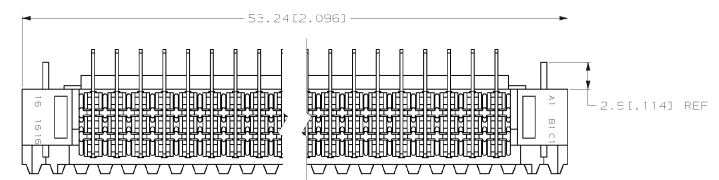
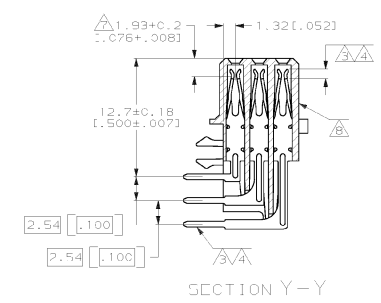
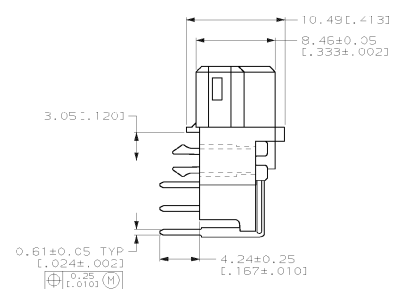
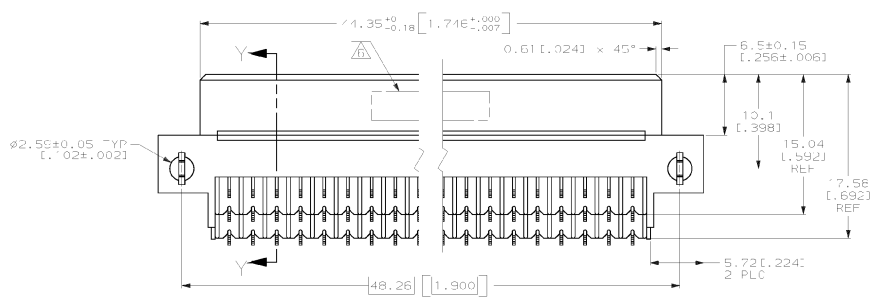
SP4418 PDS 1-4 THIRD ANGLE PROJECTION  
 THIS DRAWING IS UNPUBLISHED.  
 © COPYRIGHT 19

RELEASED FOR PUBLICATION  
 BY AMP INCORPORATED. ALL INTERNATIONAL RIGHTS RESERVED.

REV. NO.		DATE		ZONE		LIT.		REVISIONS		DATE	APP'D
AD	25			F				REV PER EC	0512-0016-03	05/04/84	AS



- ⚠ HOUSING MATERIAL: GLASS-FIBER POLYESTER. COLOR: GRAY.
- ⚠ CONTACT MATERIAL: PHOSPHOR BRONZE.
- ⚠ CONTACT FINISH: DIN 41612 CLASS 2 IN CONTACT AREA. TIN-LEAD FLATE ON POSTS.
- ⚠ CONTACT FINISH: DIN 41612 CLASS 3 IN CONTACT AREA. TIN-LEAD FLATE ON POSTS.
- ⚠ RECOMMENDED HOLE SIZE FOR MANUAL APPLICATION OF CONNECTION ON TO PC BOARD.
- ⚠ PART NUMBER, DATE CODE IDENTIFICATION, CSA LOGO MARKED THIS APPROXIMATE AREA.
- ⚠ CONTACT POINT.
- ⚠ MARKING ON THIS SIDE.



OBSOLETE	POSITIONS LOADED	ROWS LOADED			NO. OF LOADED POSITIONS	ASSY PART NUMBER
		C	B	A		
⚠	1-15	X	X	X	48	536432-9
⚠	1-15	X	X	X	48	536432-5
⚠	1-15	X	X	X	48	536432-4

DO NOT SCALE PRINT. UNLESS SPECIFIED DIMENSIONS IN mm (INCHES):		PAR. NO.	
OR	BR:NER 8/20/92		
CNC	9/3/92		
R. PATTERSON	9/3/92		
APP'D	R. PATTERSON 9/3/92		
RATERIAL	D.C. RUBENDALL 9/4/92		
H56: ⚠	NAME	AMP INCORPORATED Harbitzburg, PA 17105-3006	
CON: ⚠	PRODUCT SPEC	RECEPTACLE ASSEMBLY, EUROCARD, TYP .50 WITH BOARD LOCKS	
FINISH	APPLICATION SPEC	SIZE	CARE CODE
CON: ⚠		D	00779
	WEIGHT	SCALE	4:1
		DRAWING NO.	536432
		SHEET	1 OF 1

THIS DRAWING IS A CONTROLLED DOCUMENT FOR AMP INCORPORATED. IT IS SUBJECT TO CHANGE AND THE CONTROLLING ENGINEERING ORGANIZATION SHOULD BE CONTACTED FOR THE LATEST REVISION.

CUSTOMER DRAWING