



Chipsmall Limited consists of a professional team with an average of over 10 year of expertise in the distribution of electronic components. Based in Hongkong, we have already established firm and mutual-benefit business relationships with customers from,Europe,America and south Asia,supplying obsolete and hard-to-find components to meet their specific needs.

With the principle of “Quality Parts,Customers Priority,Honest Operation,and Considerate Service”,our business mainly focus on the distribution of electronic components. Line cards we deal with include Microchip,ALPS,ROHM,Xilinx,Pulse,ON,Everlight and Freescale. Main products comprise IC,Modules,Potentiometer,IC Socket,Relay,Connector.Our parts cover such applications as commercial,industrial, and automotives areas.

We are looking forward to setting up business relationship with you and hope to provide you with the best service and solution. Let us make a better world for our industry!



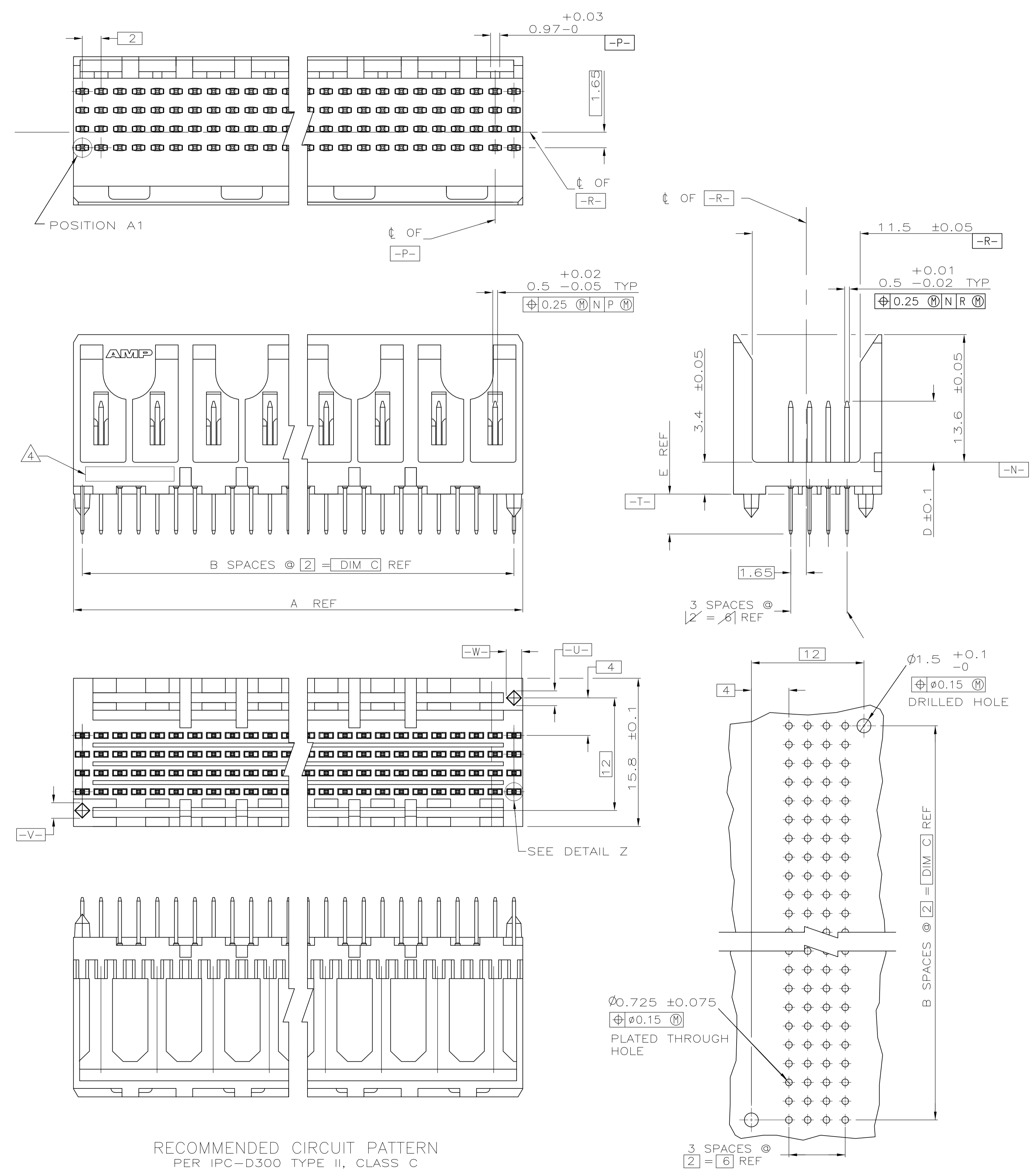
Contact us

Tel: +86-755-8981 8866 Fax: +86-755-8427 6832

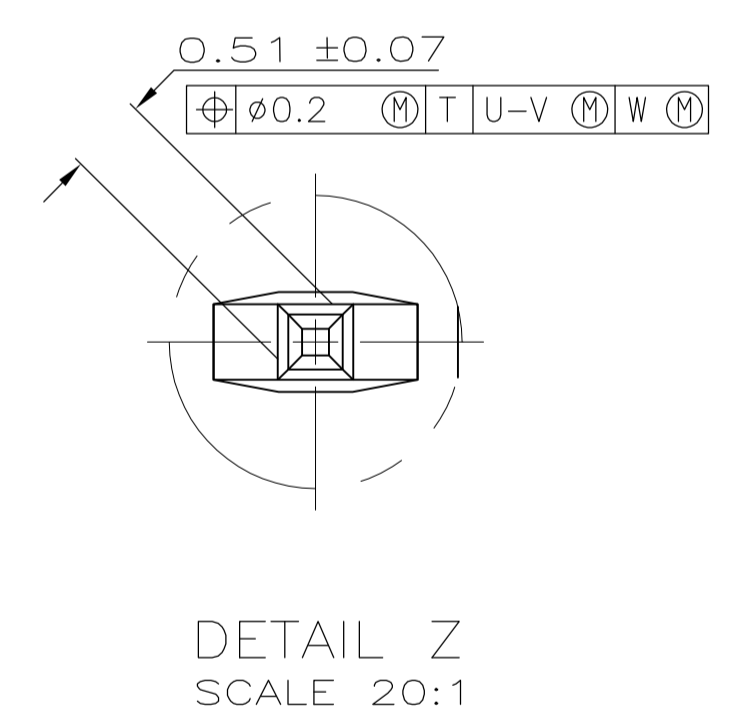
Email & Skype: info@chipsmall.com Web: www.chipsmall.com

Address: A1208, Overseas Decoration Building, #122 Zhenhua RD., Futian, Shenzhen, China





- 1 HOUSING MATERIAL: LIQUID CRYSTAL POLYMER PER ASTM D5138 LCP000 G30A 32250.
- 2 CONTACT MATERIAL: PHOSPHOR BRONZE.
- 3 CONTACT FINISH:
 UNDERPLATE (ENTIRE CONTACT):
 0.00127 MIN NICKEL.
 ON MATING SURFACES:
 CONFORMS TO ALL TESTING SPECIFIED FOR TELCORDIA UNCONTROLLED ENVIRONMENT.
 ON LEADS
 0.00381 MIN TIN-LEAD OVER UNDERPLATE.
 LUBRICATION (ENTIRE CONTACT):
 SURFACE CONDITIONER PER AMP SPEC 112-1002 AFTER PLATING.
- 4 PART MARKING PER AMP INCORPORATED SPECIFICATION 115-9009, LOCATED APPROXIMATELY AS SHOWN.
- 5 OBSOLETE PARTS: OBSOLETE CIS STREAMLINING PER D.RENAUD/D.SINISI



OBSOLETE	4.25	6.5	34	17	35.88	3	72	1-536501-1
	4.25	6.5	130	65	131.88	3	264	-536501-0
	4.25	6.5	106	53	107.88	3	216	-536501-9
	4.25	6.5	118	59	119.88	3	240	-536501-8
OBSOLETE	4.25	6.5	82	41	83.88	3	168	-536501-7
	4.25	6.5	58	29	59.88	3	120	536501-6
	4.25	6.5	70	35	71.88	3	144	536501-5
	4.25	6.5	94	47	95.88	3	192	536501-4
	4.25	6.5	46	23	47.88	3	96	536501-3
	4.25	6.5	22	11	23.88	3	48	536501-2
	4.25	6.5	10	5	11.88	3	24	536501-1
		E	D	C	B	A	FINISH	NO OF POSN

RECOMMENDED CIRCUIT PATTERN PER IPC-D300 TYPE II, CLASS C (COMPONENT SIDE)

THIS DRAWING IS A CONTROLLED DOCUMENT.

DIMENSIONS: mm	TOLERANCES UNLESS OTHERWISE SPECIFIED:	0 PLC ± -	1 PLC ± -	2 PLC ± -0.13	3 PLC ± -	4 PLC ± -	ANGLES ± -
----------------	--	-----------	-----------	---------------	-----------	-----------	------------

MATERIAL: 1-2 FINISH: 3

STE TE Connectivity

Z-PACK 2mm FB, SIGNAL MODULE, PIN ASSEMBLY 2mm

SIZE: A1 CAGE CODE: 00779 DRAWING NO: 536501

SCALE: 4:1 SHEET: 1 OF 1 REV: S2