



Chipsmall Limited consists of a professional team with an average of over 10 year of expertise in the distribution of electronic components. Based in Hongkong, we have already established firm and mutual-benefit business relationships with customers from,Europe,America and south Asia,supplying obsolete and hard-to-find components to meet their specific needs.

With the principle of “Quality Parts,Customers Priority,Honest Operation,and Considerate Service”,our business mainly focus on the distribution of electronic components. Line cards we deal with include Microchip,ALPS,ROHM,Xilinx,Pulse,ON,Everlight and Freescale. Main products comprise IC,Modules,Potentiometer,IC Socket,Relay,Connector.Our parts cover such applications as commercial,industrial, and automotives areas.

We are looking forward to setting up business relationship with you and hope to provide you with the best service and solution. Let us make a better world for our industry!



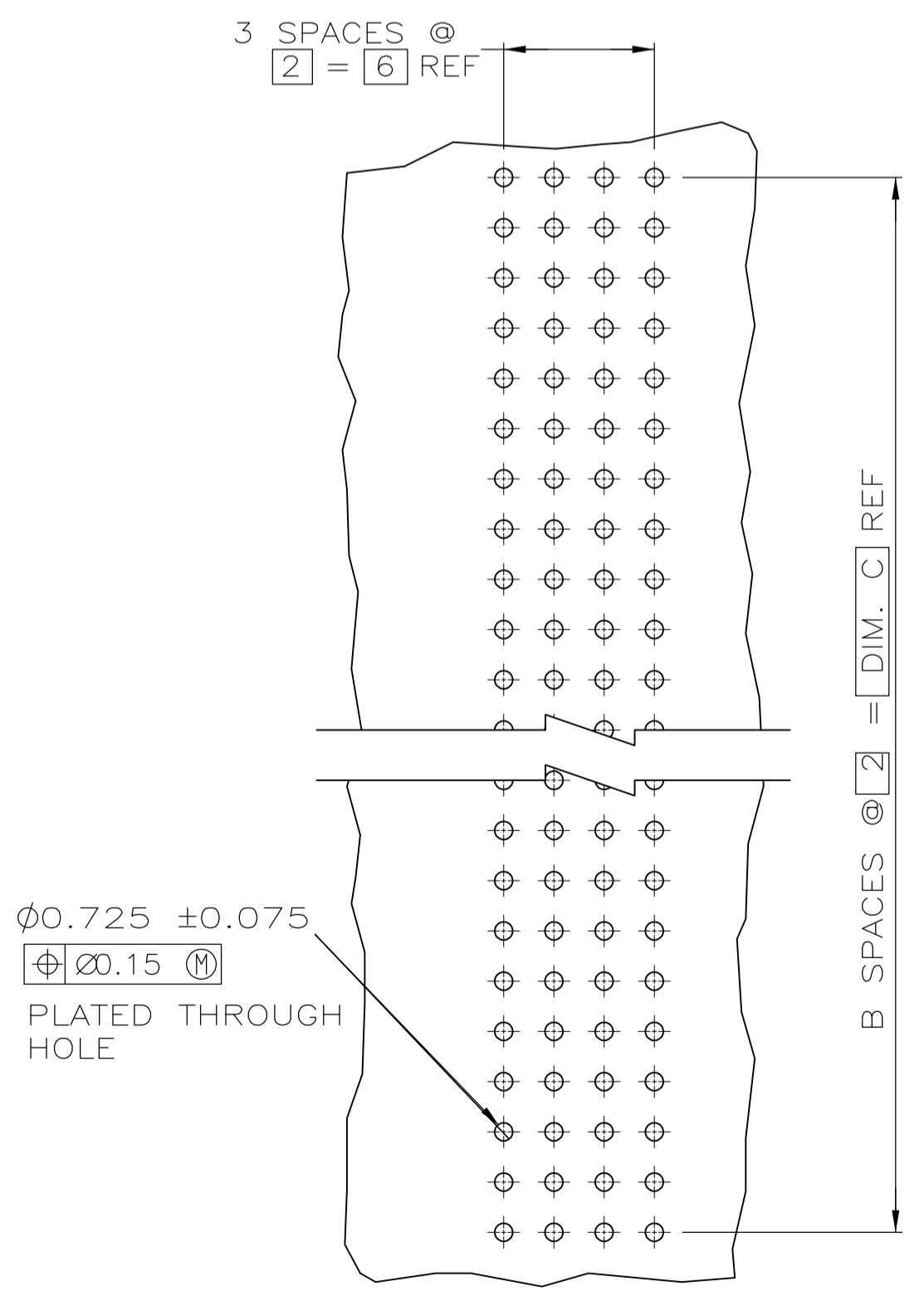
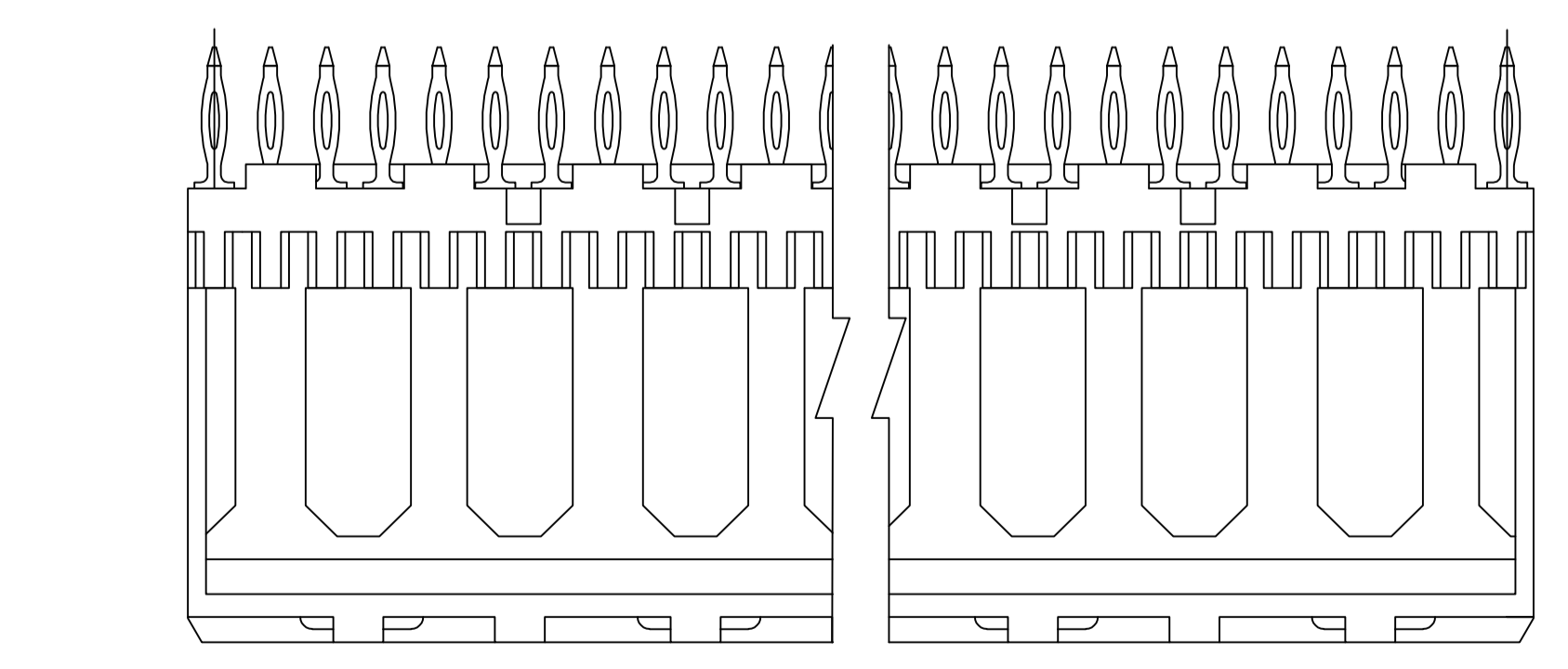
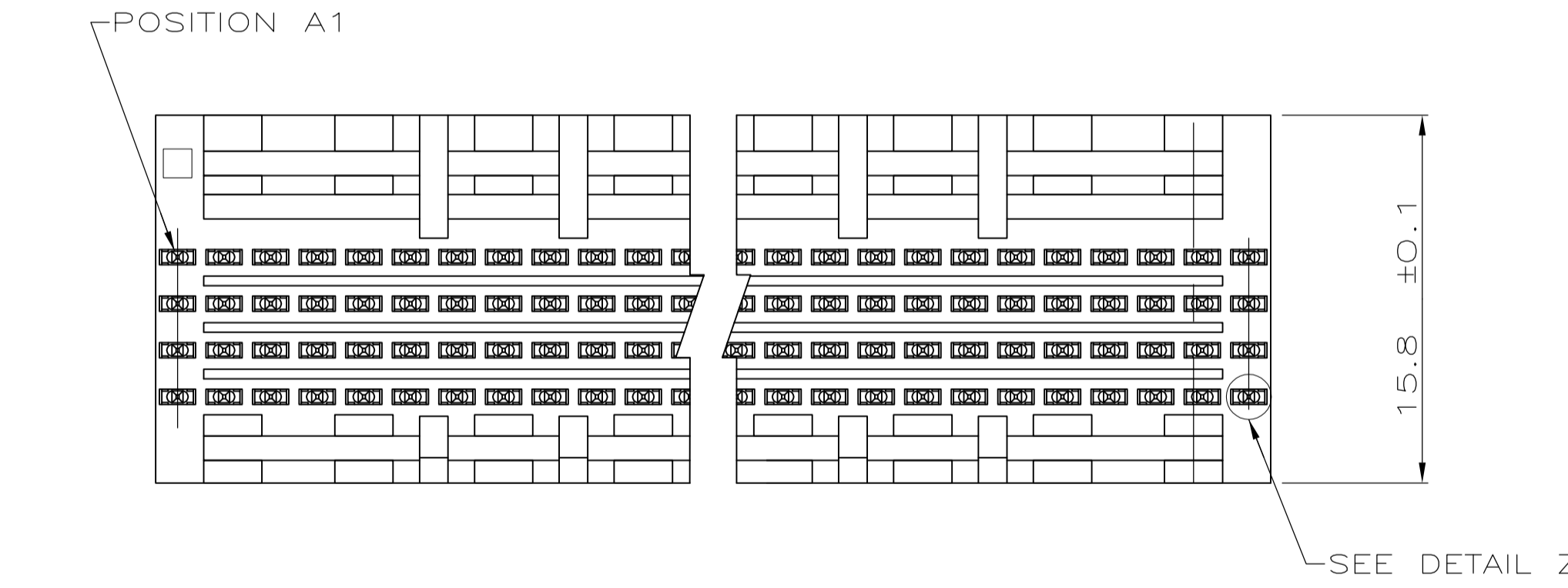
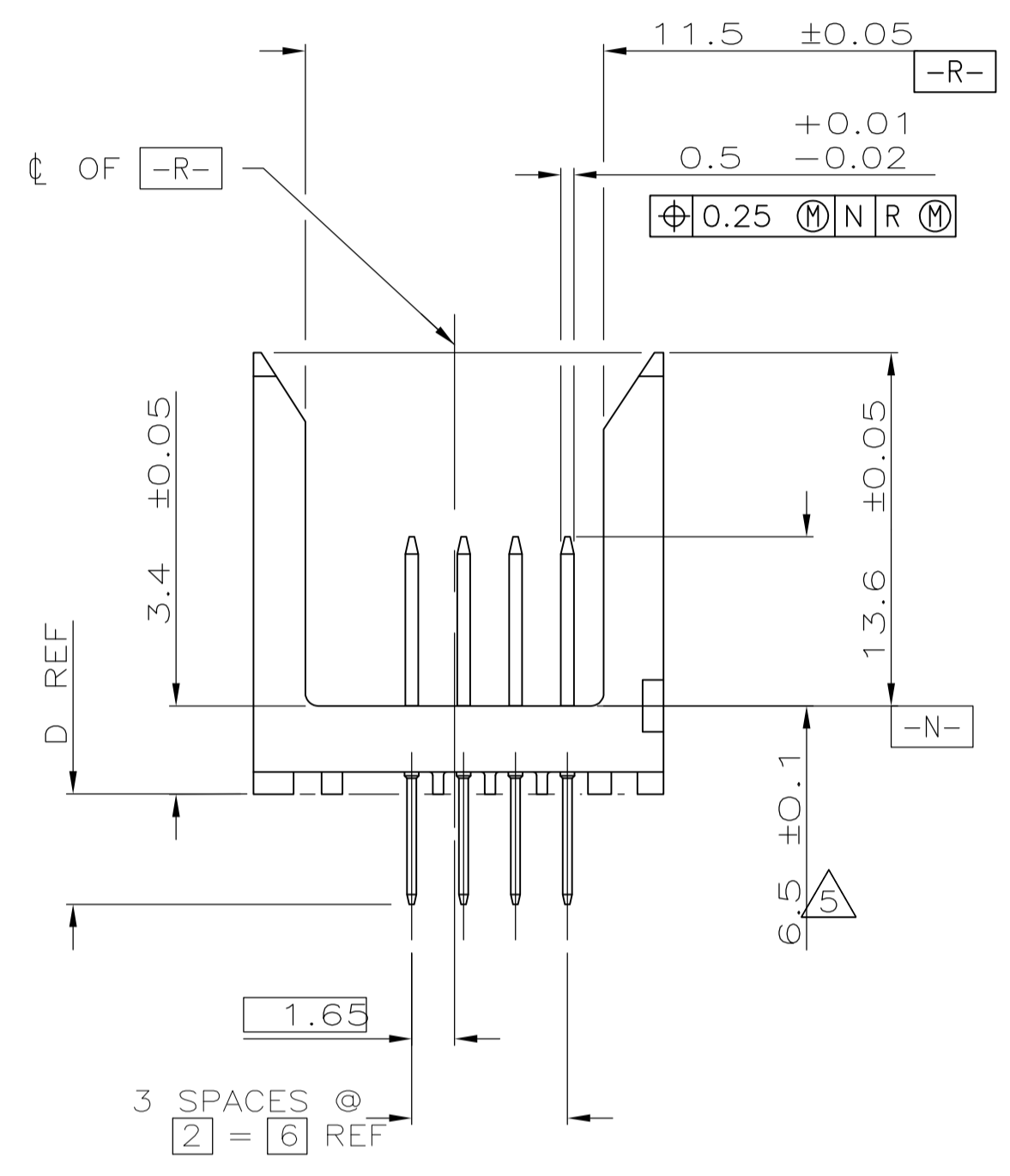
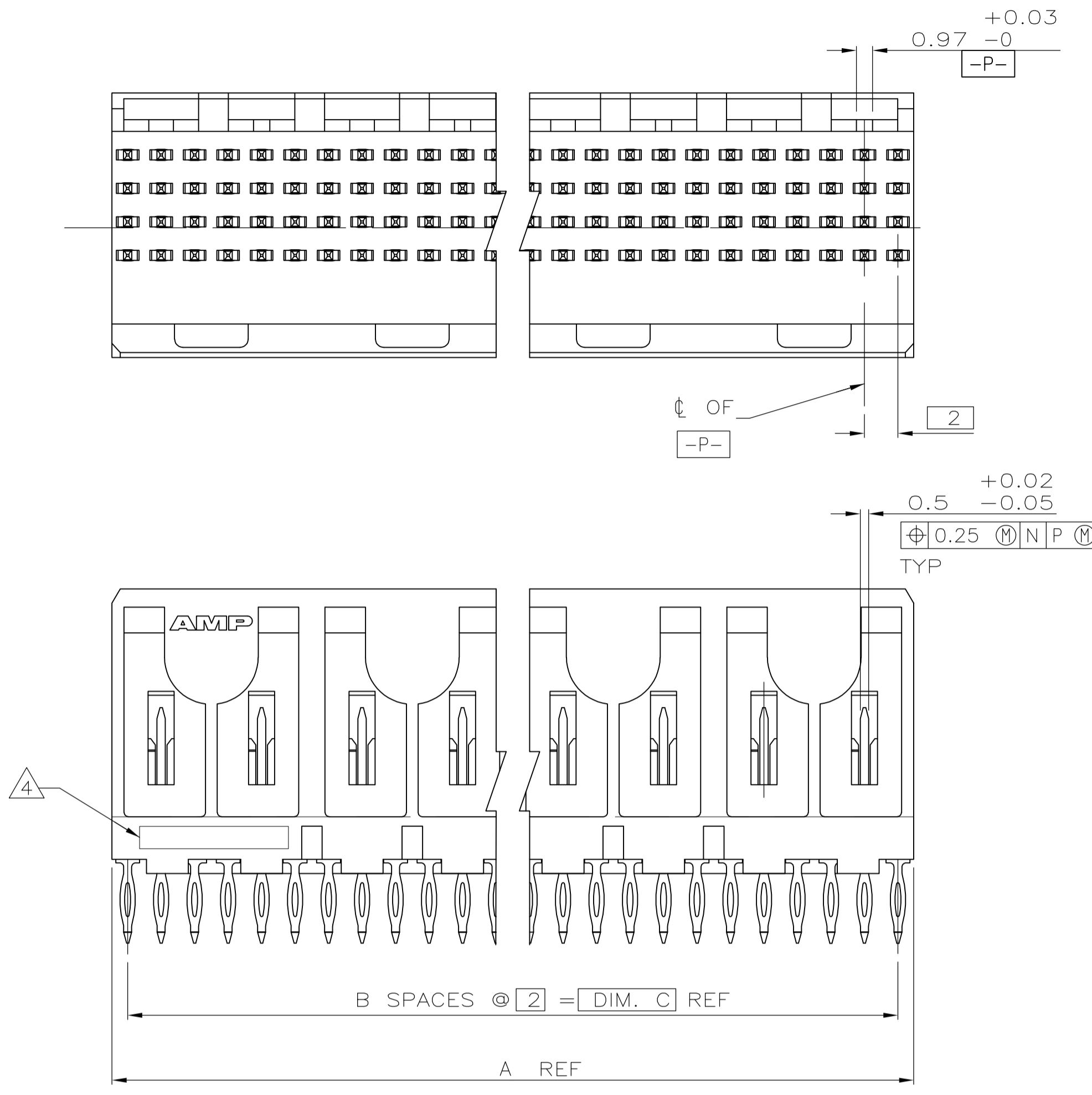
## Contact us

Tel: +86-755-8981 8866 Fax: +86-755-8427 6832

Email & Skype: info@chipsmall.com Web: www.chipsmall.com

Address: A1208, Overseas Decoration Building, #122 Zhenhua RD., Futian, Shenzhen, China





- △ HOUSING MATERIAL: LIQUID CRYSTAL POLYMER PER ASTM D5138 LCP000 G30A 32250, COLOR: NATURAL.
- △ CONTACT MATERIAL: PHOSPHOR BRONZE.
- △ CONTACT FINISH:  
UNDERPLATE (ENTIRE CONTACT):  
0.00127 MIN NICKEL.  
ON MATING SURFACES:  
CONFORMS TO ALL TESTING SPECIFIED FOR TELCORDIA UNCONTROLLED ENVIRONMENT.  
ON LEADS  
0.0006 MIN TIN-LEAD OVER UNDERPLATE.  
LUBRICATION (ENTIRE CONTACT):  
SURFACE CONDITIONER PER AMP SPEC 112-1002 AFTER PLATING.
- △ PART MARKING PER AMP INCORPORATED SPECIFICATION 115-9009, LOCATED APPROXIMATELY AS SHOWN.
- △ DIMENSION APPLIES WHEN SEATED ON PRINTED CIRCUIT BOARD.
- △ OBSOLETE PARTS: OBSOLETE CIS STREAMLINING PER D.RENAUD/D.SINISI

OBSOLETE	4.25	34	17	35.88	△	72	1-536504-2
△	4.25	130	65	131.88	△	264	1-536504-1
OBSOLETE	4.25	106	53	107.88	△	216	1-536504-0
△	4.25	118	59	119.88	△	240	536504-9
OBSOLETE	4.25	70	35	71.88	△	144	536504-8
OBSOLETE	4.25	66	33	67.88	△	136	536504-7
OBSOLETE	4.25	58	29	59.88	△	120	536504-6
△	4.25	82	41	83.88	△	168	536504-5
OBSOLETE	4.25	94	47	95.88	△	192	536504-4
	4.25	46	23	47.88	△	96	536504-3
	4.25	22	11	23.88	△	48	536504-2
OBSOLETE	4.25	10	5	11.88	△	24	536504-1

RECOMMENDED CIRCUIT PATTERN PER IPC-D300 TYPE II, CLASS C (COMPONENT SIDE)

THIS DRAWING IS A CONTROLLED DOCUMENT.

DIMENSIONS: INCHES	TOLERANCES UNLESS OTHERWISE SPECIFIED:	DRAWING NO.	REVISED PER
0 PLC ± -	1 PLC ± -	10/27/92	ECR-12-010535
2 PLC ± -	3 PLC ± -	02/18/93	
4 PLC ± -	ANGLES ± -		

MATERIAL: △ FINISH: △

STE TE Connectivity

NAME: PIN ASSEMBLY, SIGNAL MODULE, Z-PACK 2mm FB, 2mm

SIZE: A1 CAGE CODE: 00779 DRAWING NO: 536504

SCALE: 4:1 SHEET: 1 OF 1 REV: V