



Chipsmall Limited consists of a professional team with an average of over 10 year of expertise in the distribution of electronic components. Based in Hongkong, we have already established firm and mutual-benefit business relationships with customers from,Europe,America and south Asia,supplying obsolete and hard-to-find components to meet their specific needs.

With the principle of “Quality Parts,Customers Priority,Honest Operation,and Considerate Service”,our business mainly focus on the distribution of electronic components. Line cards we deal with include Microchip,ALPS,ROHM,Xilinx,Pulse,ON,Everlight and Freescale. Main products comprise IC,Modules,Potentiometer,IC Socket,Relay,Connector.Our parts cover such applications as commercial,industrial, and automotives areas.

We are looking forward to setting up business relationship with you and hope to provide you with the best service and solution. Let us make a better world for our industry!



## Contact us

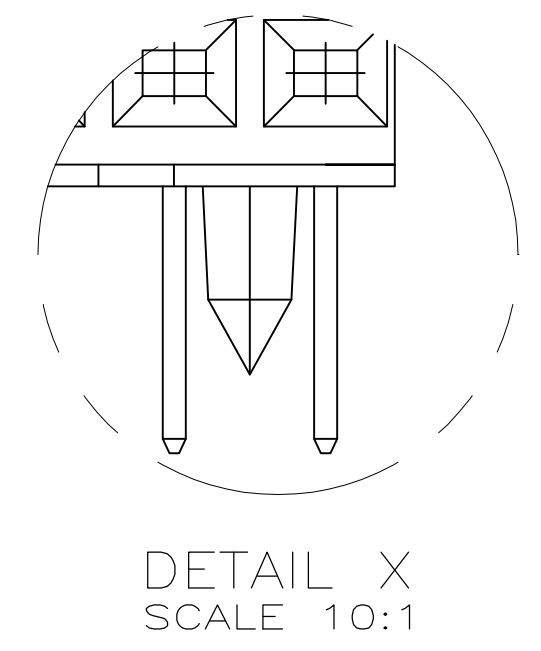
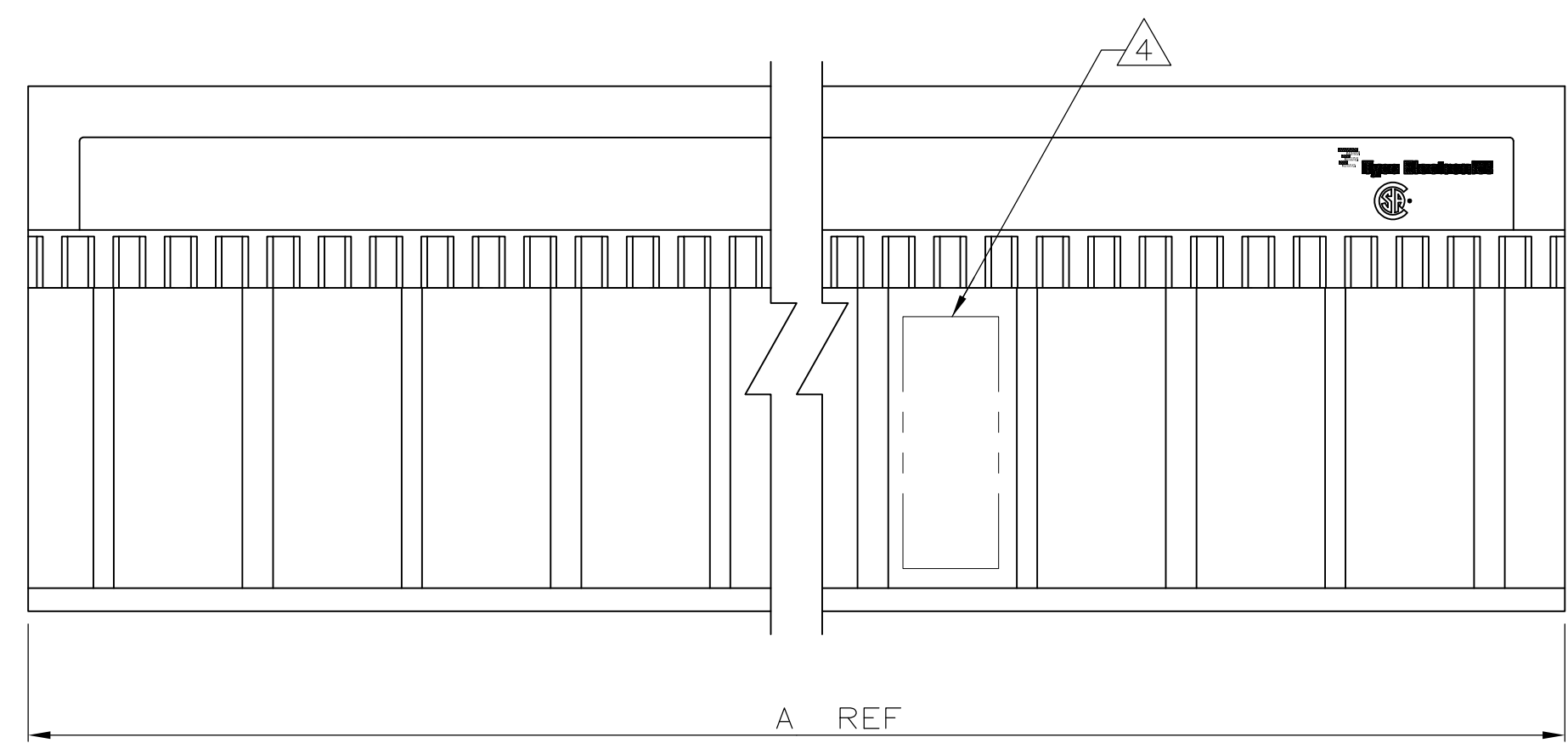
Tel: +86-755-8981 8866 Fax: +86-755-8427 6832

Email & Skype: info@chipsmall.com Web: www.chipsmall.com

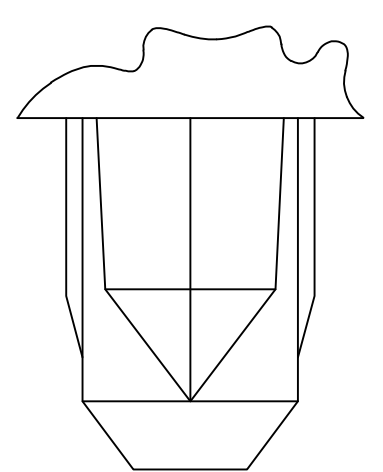
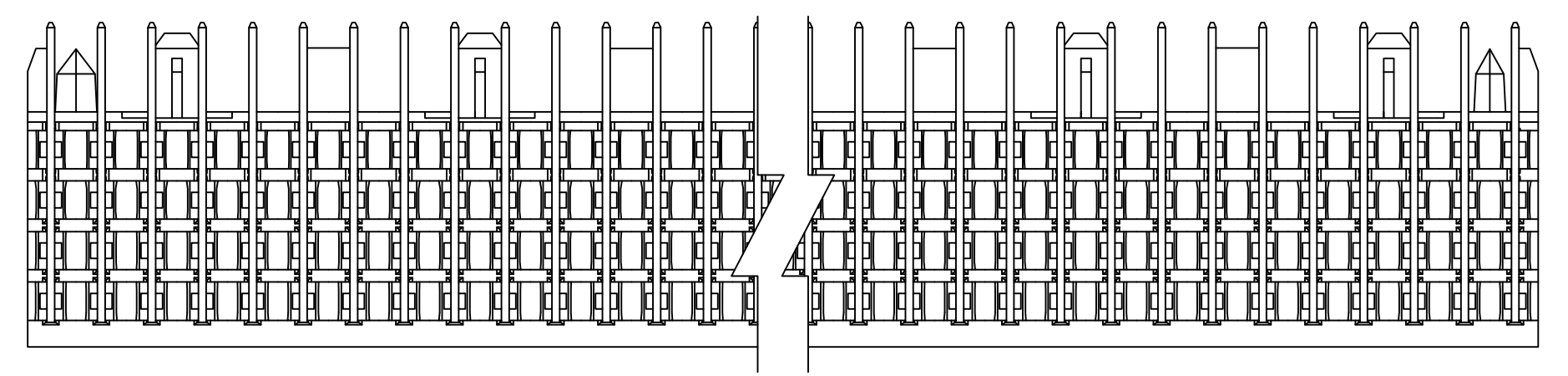
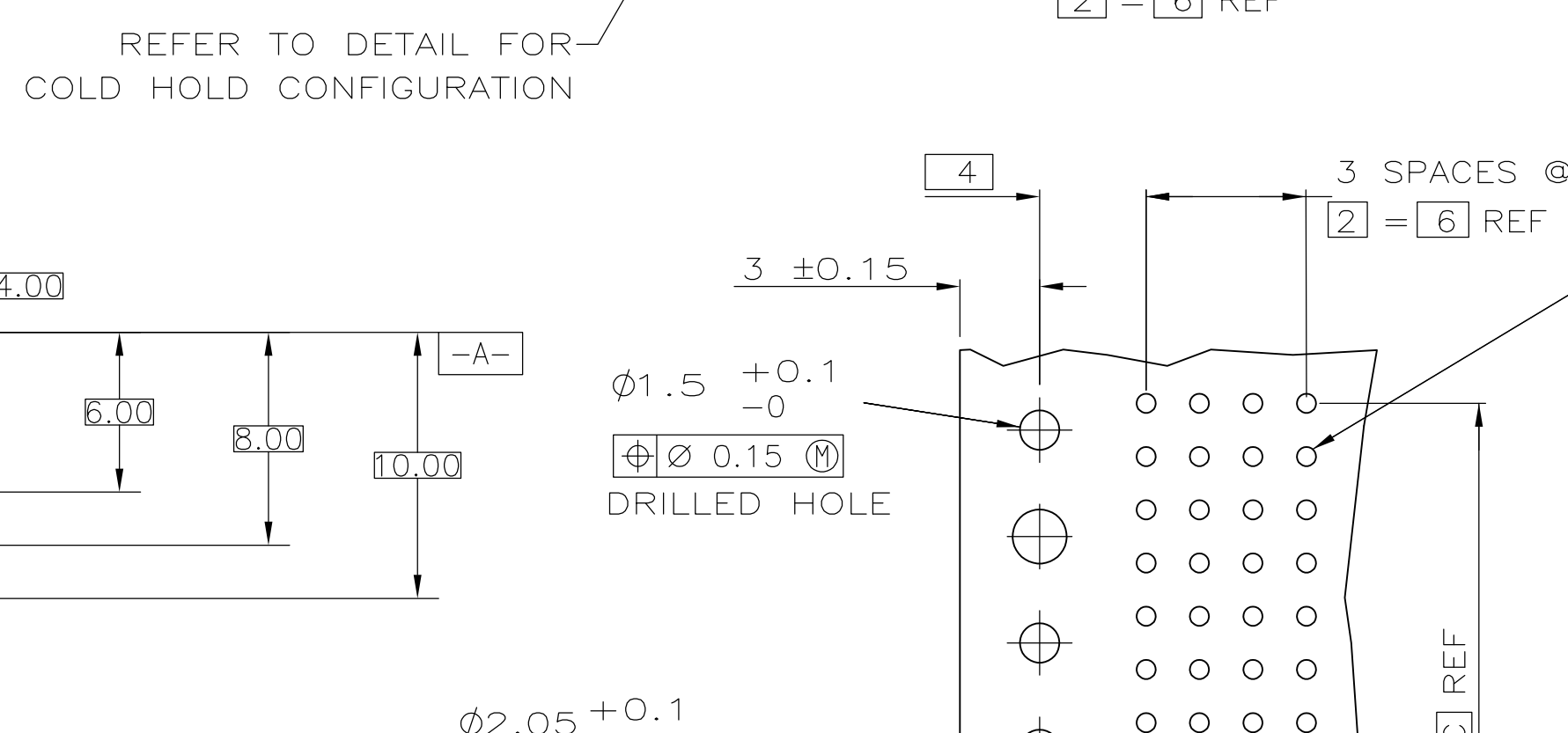
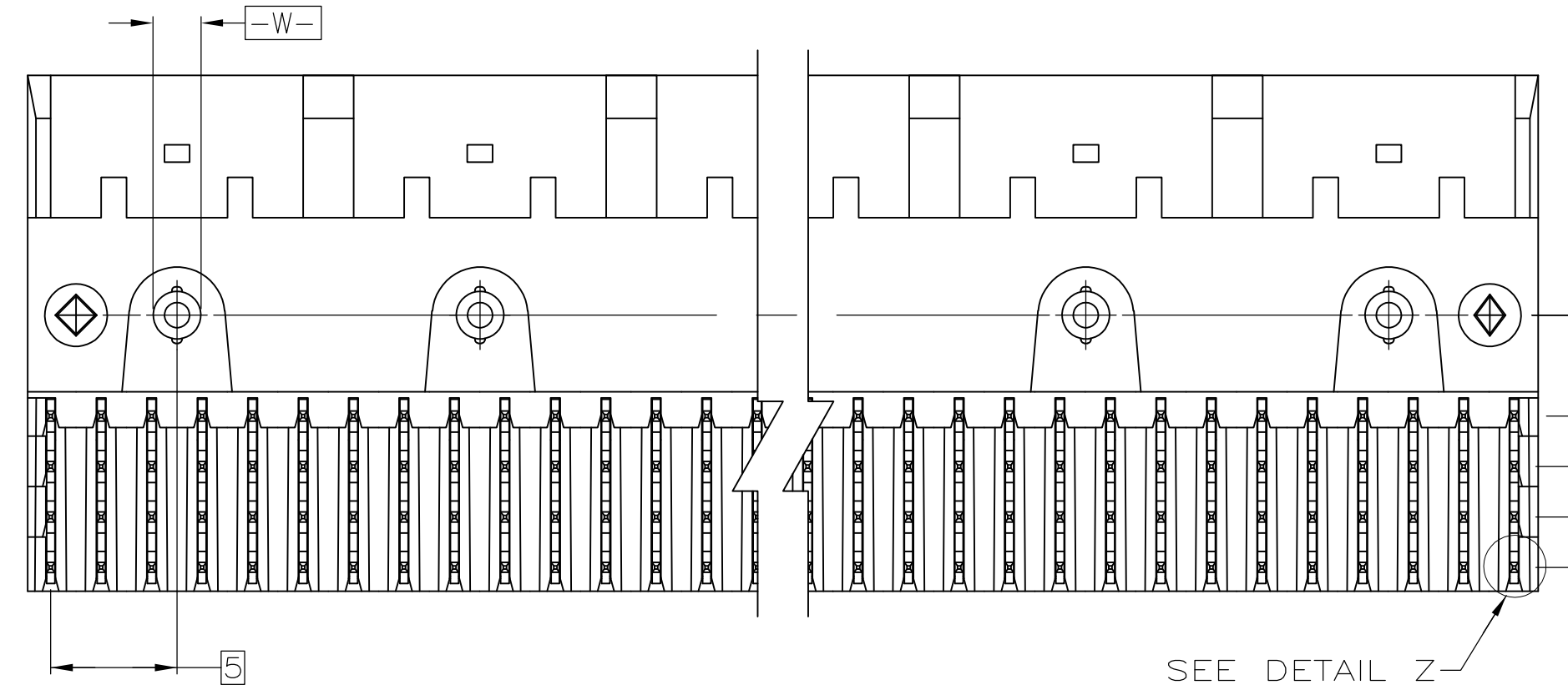
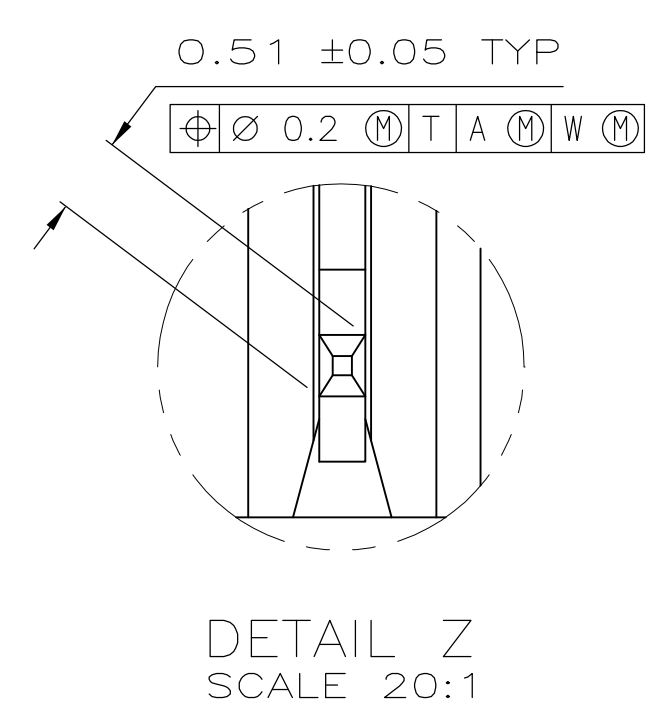
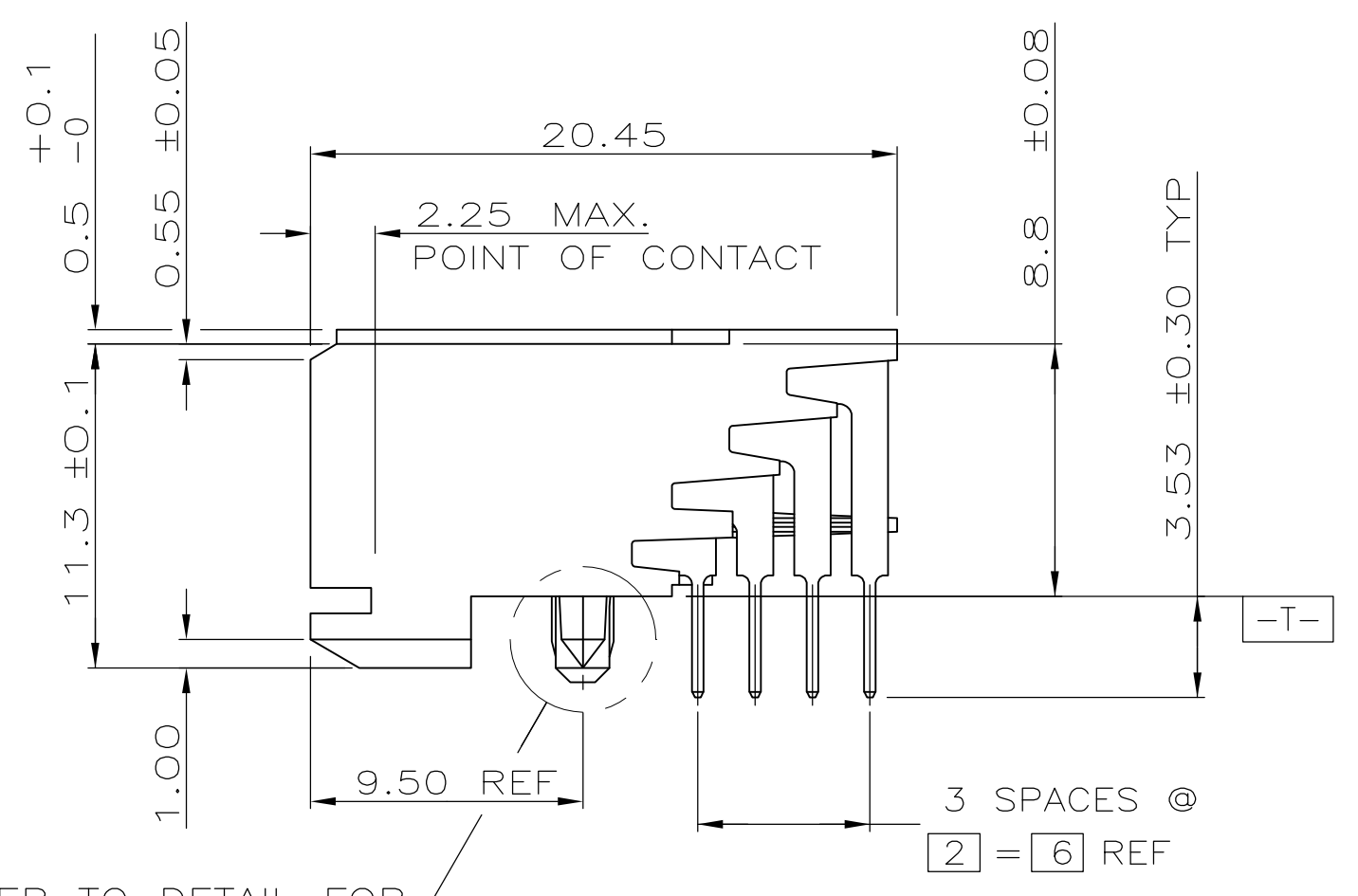
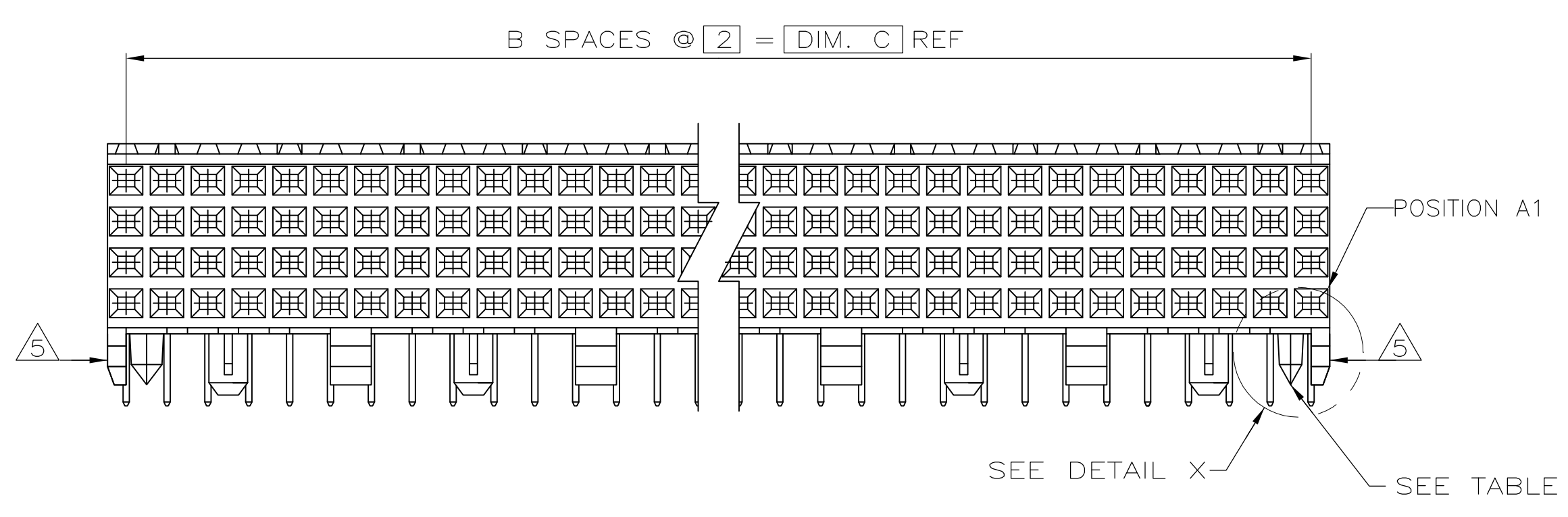
Address: A1208, Overseas Decoration Building, #122 Zhenhua RD., Futian, Shenzhen, China



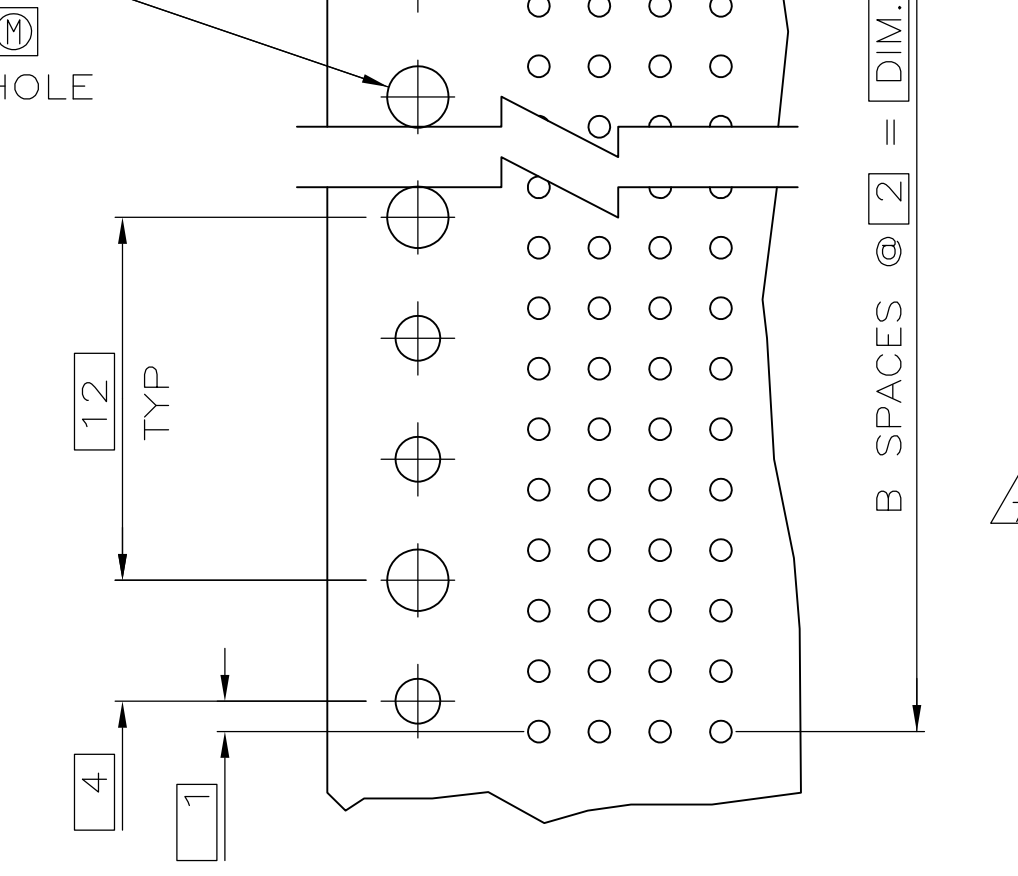
LOC	DIST	REVISIONS				
AD	00	REV	DESCRIPTION	DATE	BY	APP'D
		AD2	REVISED PER ECO-08-009162	17APR08	DH	AS
		AD3	REVISED PER ECO-10-000443	18JAN10	KK	HMR



- 1 HOUSING MATERIAL: LIQUID CRYSTAL POLYMER. COLOR: NATURAL.
- 2 CONTACT MATERIAL: PHOSPHOR-BRONZE.
- 3 CONTACT FINISH:  
 UNDERPLATE (ENTIRE CONTACT) - 0.00127 MIN. NICKEL  
 ON MATING SURFACES - CONFORMS TO ALL TESTING SPECIFIED FOR TELCORDIA UNCONTROLLED ENVIRONMENT  
 ON LEADS - 0.00381 MIN. TIN-LEAD, OVER UNDERPLATE  
 LUBRICATION (ENTIRE CONTACT): SURFACE CONDITIONER PER TYCO SPEC 112-1002 AFTER PLATING.
- 4 PART MARKING PER AMP INCORPORATED SPECIFICATION 115-9009, LOCATED APPROXIMATELY AS SHOWN.
- 5 CUSTOMIZED PART, HOUSING MOLDED WITHOUT END GUIDE LUGS.
- 6 OBSOLETE PART NUMBER.
- 7 OBSOLETE PARTS: OBSOLETE CIS STREAMLINING PER D.RENAUD/D.SINISI



TYPICAL COLD HOLD FOR ALL ASSEMBLIES



RECOMMENDED CIRCUIT PATTERN PER IPC-D300 TYPE II, CLASS C (COMPONENT SIDE)

POSITIONING PEGS	C	B	A	FINISH	NO OF POSN	PART NUMBER	
YES	94	47	95.88	3	192	2-536510-4	
YES	46	23	47.88	3	96	2-536510-3	
NO	34	17	35.88	3	72	1-536510-5	
NO	22	11	23.88	3	48	1-536510-4	
NO	94	47	95.88	3	192	1-536510-3	
NO	106	53	107.88	3	216	1-536510-2	
NO	70	35	71.88	3	144	1-536510-1	
NO	130	65	131.88	3	264	1-536510-0	
OBSOLETE	NO	106	53	107.88	3	216	536510-9
OBSOLETE	NO	118	59	119.88	3	240	536510-8
OBSOLETE	NO	82	41	83.88	3	168	536510-7
NO	58	29	59.88	3	120	536510-6	
NO	70	35	71.88	3	144	536510-5	
NO	94	47	95.88	3	192	536510-4	
NO	46	23	47.88	3	96	536510-3	
NO	22	11	23.88	3	48	536510-2	
YES	10	5	11.88	3	24	536510-1	

THIS DRAWING IS A CONTROLLED DOCUMENT.

DIMENSIONS: mm	TOLERANCES UNLESS OTHERWISE SPECIFIED:	DIN J. LOCONDRO 09/04/92	APPROVED: S. HEADER 01/26/93	NAME: D. BAECHTEL 1/26/93	TYCO ELECTRONICS CORPORATION Harrisburg, Pa 17105-3608
0 PLC ± -	1 PLC ± -	2 PLC ± .13	3 PLC ± .13	4 PLC ± -	ANGLES ± -
MATERIAL: 1 2	FINISH: 3	SIZE: A1	CAGE CODE: 00779	DRAWING NO: C=536510	RESTRICTED TO: -
CUSTOMER DRAWING		SCALE: 4:1	SHEET: 1 of 1	REV: AD3	