



Chipsmall Limited consists of a professional team with an average of over 10 year of expertise in the distribution of electronic components. Based in Hongkong, we have already established firm and mutual-benefit business relationships with customers from,Europe,America and south Asia,supplying obsolete and hard-to-find components to meet their specific needs.

With the principle of “Quality Parts,Customers Priority,Honest Operation,and Considerate Service”,our business mainly focus on the distribution of electronic components. Line cards we deal with include Microchip,ALPS,ROHM,Xilinx,Pulse,ON,Everlight and Freescale. Main products comprise IC,Modules,Potentiometer,IC Socket,Relay,Connector.Our parts cover such applications as commercial,industrial, and automotives areas.

We are looking forward to setting up business relationship with you and hope to provide you with the best service and solution. Let us make a better world for our industry!



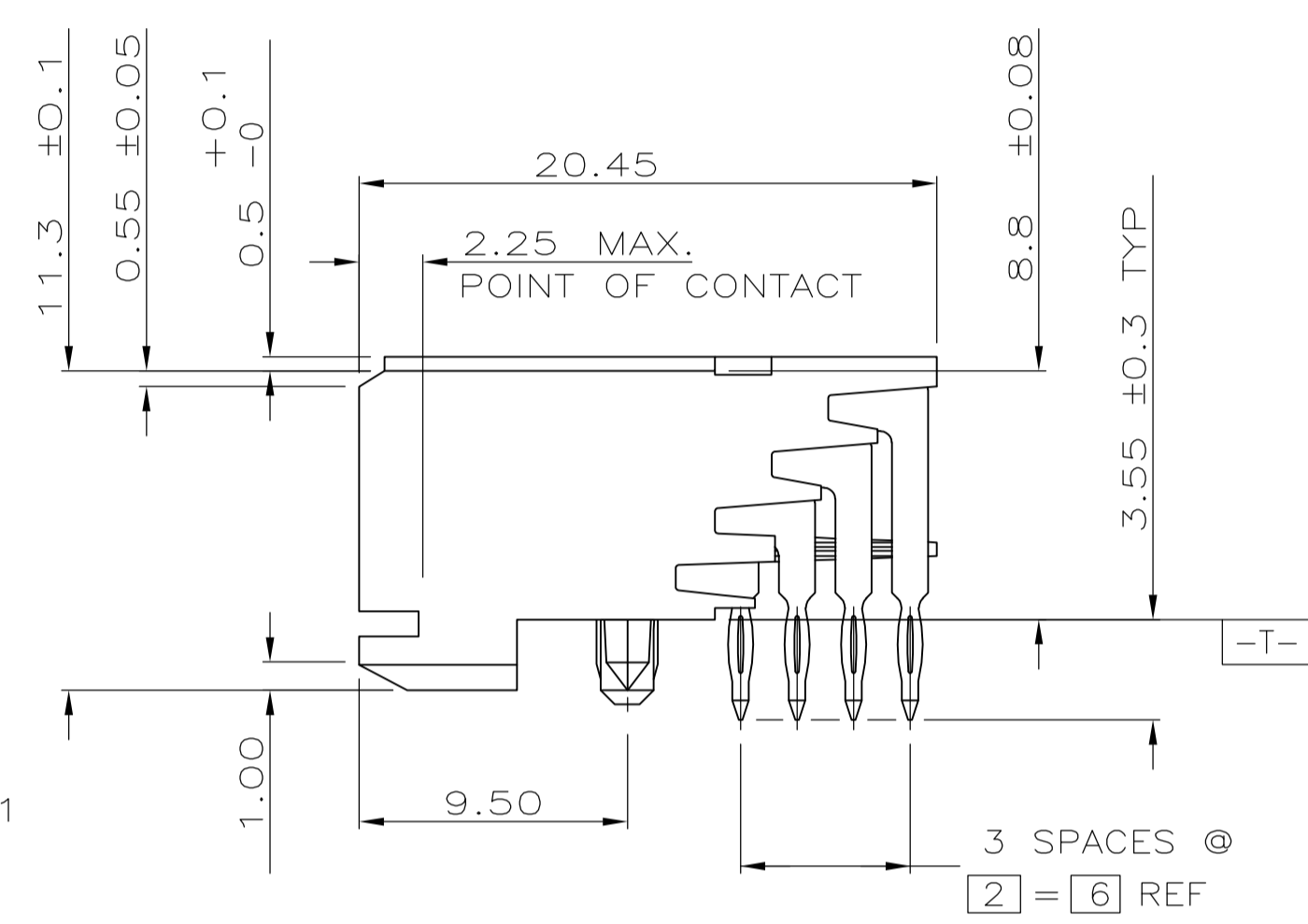
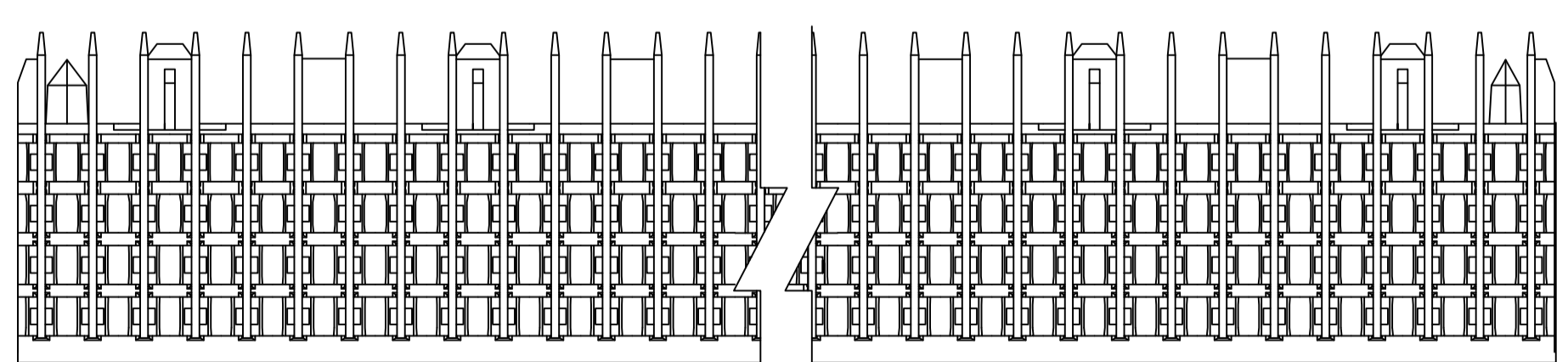
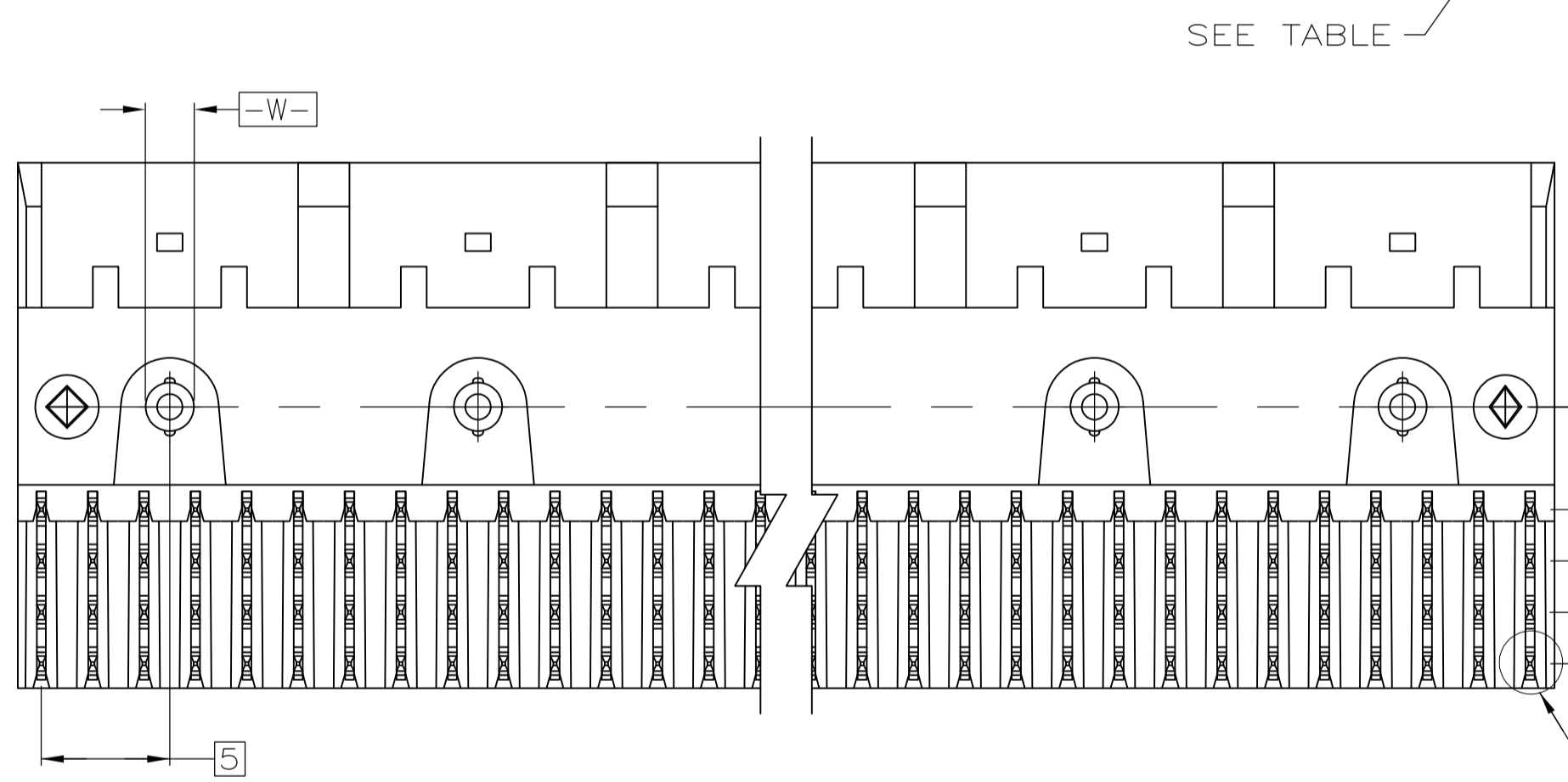
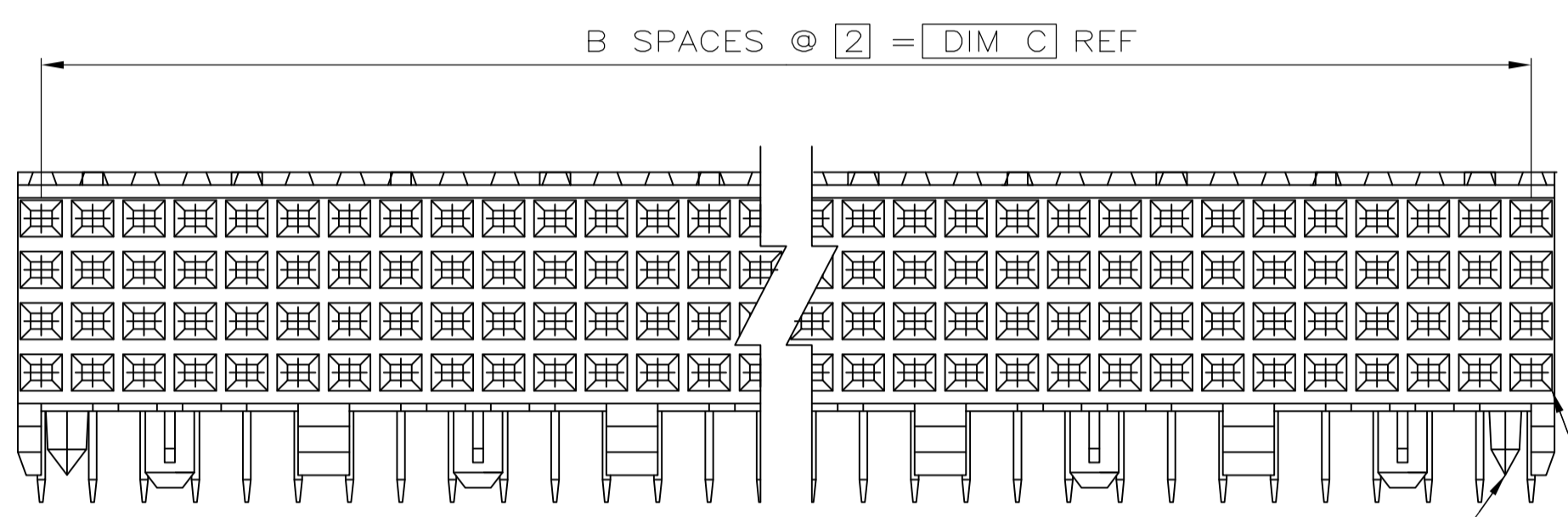
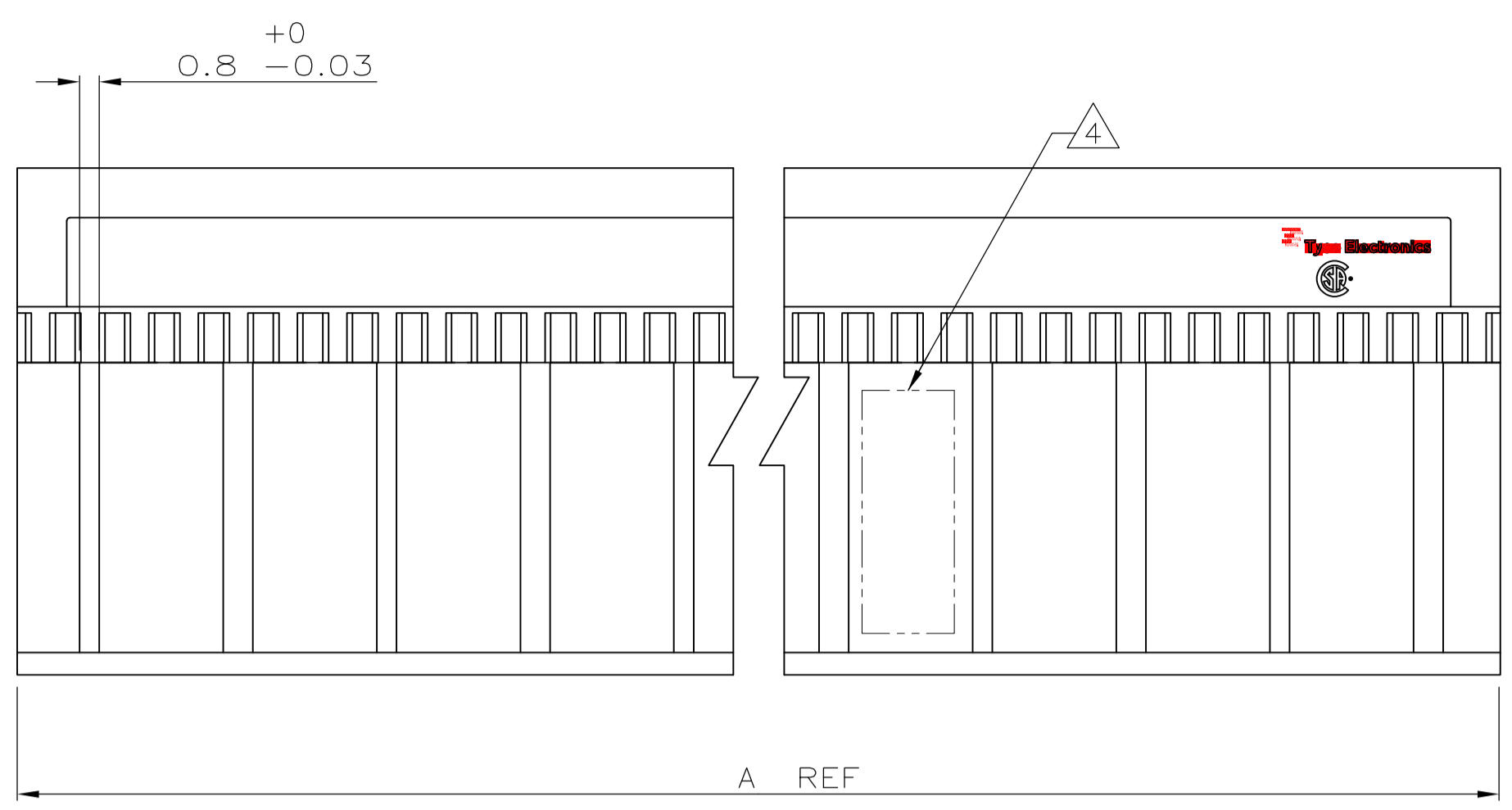
Contact us

Tel: +86-755-8981 8866 Fax: +86-755-8427 6832

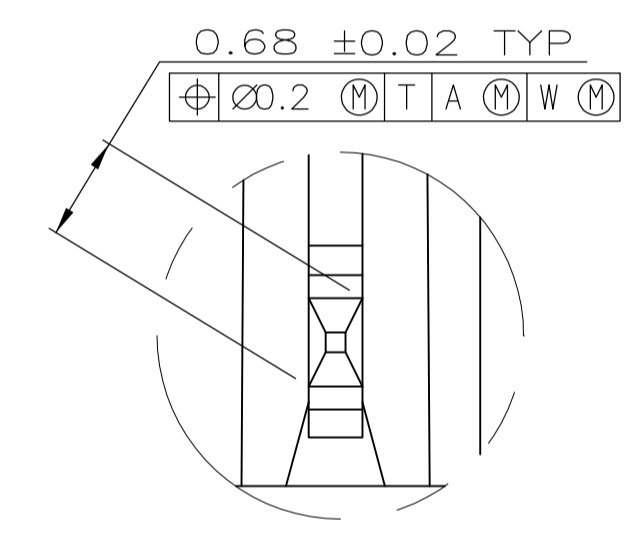
Email & Skype: info@chipsmall.com Web: www.chipsmall.com

Address: A1208, Overseas Decoration Building, #122 Zhenhua RD., Futian, Shenzhen, China

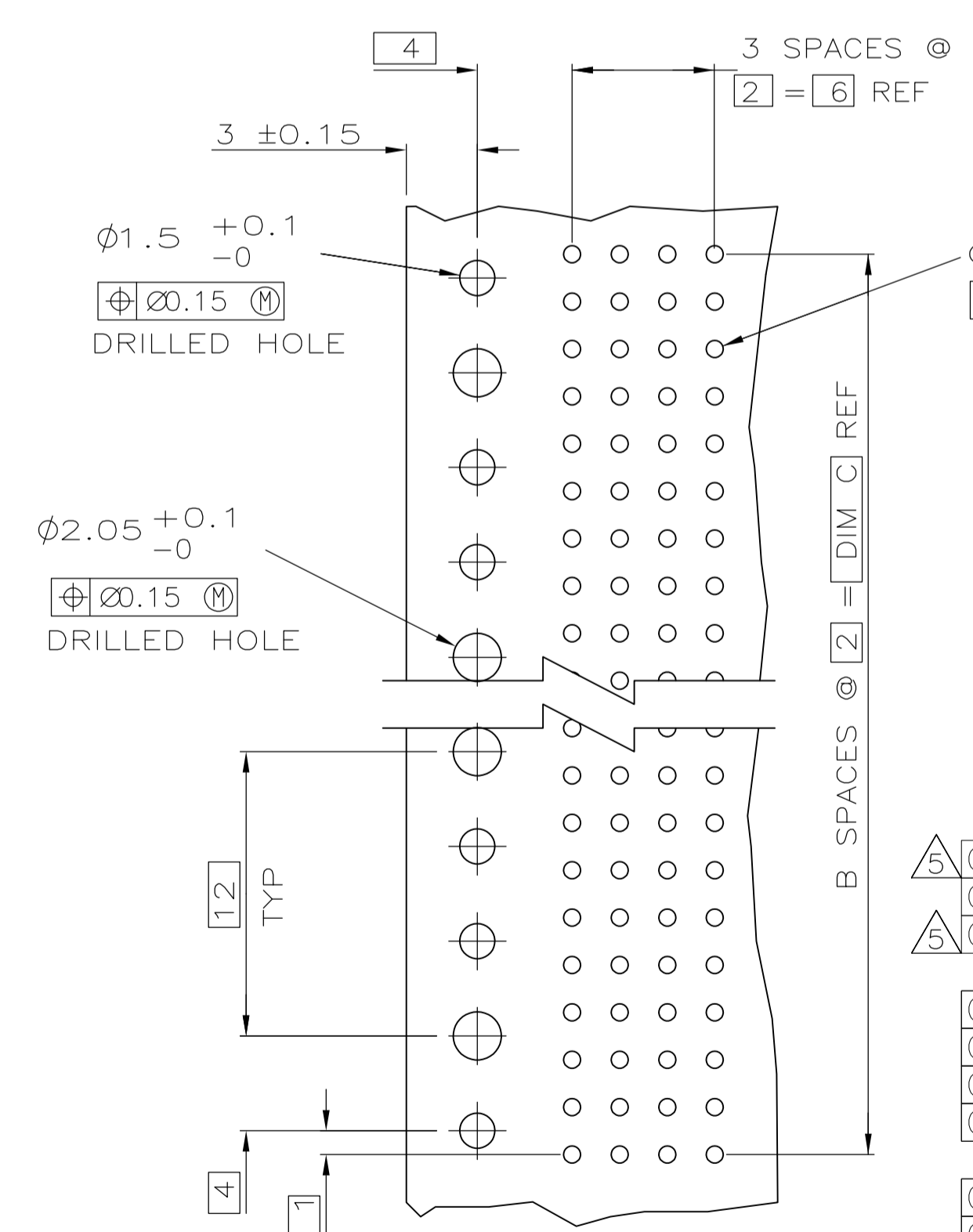




- 1 HOUSING MATERIAL: LIQUID CRYSTAL POLYMER PER ASTM D5138 LCP000 G30A 32250, COLOR: NATURAL.
- 2 CONTACT MATERIAL: PHOSPHOR-BRONZE.
- 3 CONTACT FINISH:
UNDERPLATE (ENTIRE CONTACT) - 0.00127 MIN. NICKEL
ON MATING SURFACES- CONFORMS TO ALL TESTING SPECIFIED FOR TELCORDIA UNCONTROLLED ENVIRONMENT
ON LEADS- 0.0006 MIN. TIN-LEAD, OVER UNDERPLATE
LUBRICATION (ENTIRE CONTACT) SURFACE CONDITIONER PER TE CONNECTIVITY SPEC 112-1002 AFTER PLATING.
- 4 PART MARKING PER AMP INCORPORATED SPECIFICATION 115-9009, LOCATED APPROXIMATELY AS SHOWN.
- 5 OBSOLETE PARTS: OBSOLETE CIS STREAMLINING PER D.RENAUD/D.SINISI



DETAIL Z
SCALE 20:1



RECOMMENDED CIRCUIT PATTERN
PER IPC-D300 TYPE II, CLASS C
(COMPONENT SIDE)

	NO	34	17	35.88	72	1-536511-2
OBsolete	NO	130	65	131.88	264	1-536511-1
OBsolete	NO	106	53	107.88	216	1-536511-0
OBsolete	NO	118	59	119.88	240	536511-9
	NO	82	41	83.88	168	536511-8
OBsolete	NO	66	33	67.88	136	536511-7
OBsolete	NO	58	29	59.88	120	536511-6
OBsolete	NO	70	35	71.88	144	536511-5
OBsolete	NO	94	47	95.88	192	536511-4
	NO	46	23	47.88	96	536511-3
OBsolete	NO	22	11	23.88	48	536511-2
OBsolete	YES	10	5	11.88	24	536511-1

THIS DRAWING IS A CONTROLLED DOCUMENT.		DIN	10/15/92	D.R.BENDER	
DIMENSIONS: mm		CHK	03/29/93	S.HEADER	
TOLERANCES UNLESS OTHERWISE SPECIFIED:		APVD	03/29/93	D. BAECHTLE	
0 PLC	± -	NAME			
1 PLC	± -	RCPT. ASS'Y., SIGNAL MODULE, Z-PACK 2mm FB			
2 PLC	± .13	4 ROW, 3.55mm PRESS FIT LEAD LENGTH			
3 PLC	± .13	APPLICATION SPEC			
4 PLC	± -	SIZE			
ANGLES	± -	CAGE CODE			
MATERIAL	FINISH	DRAWING NO		RESTRICTED TO	
		A1 00779		536511	
CUSTOMER DRAWING		SCALE 4:1		SHEET 1 OF 1	