



Chipsmall Limited consists of a professional team with an average of over 10 year of expertise in the distribution of electronic components. Based in Hongkong, we have already established firm and mutual-benefit business relationships with customers from,Europe,America and south Asia,supplying obsolete and hard-to-find components to meet their specific needs.

With the principle of "Quality Parts,Customers Priority,Honest Operation,and Considerate Service",our business mainly focus on the distribution of electronic components. Line cards we deal with include Microchip,ALPS,ROHM,Xilinx,Pulse,ON,Everlight and Freescale. Main products comprise IC,Modules,Potentiometer,IC Socket,Relay,Connector.Our parts cover such applications as commercial,industrial, and automotives areas.

We are looking forward to setting up business relationship with you and hope to provide you with the best service and solution. Let us make a better world for our industry!



Contact us

Tel: +86-755-8981 8866 Fax: +86-755-8427 6832

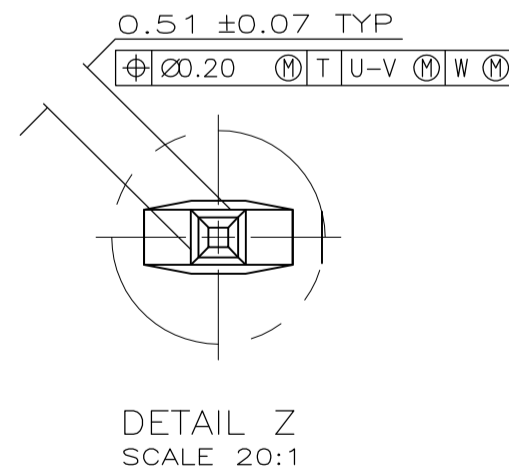
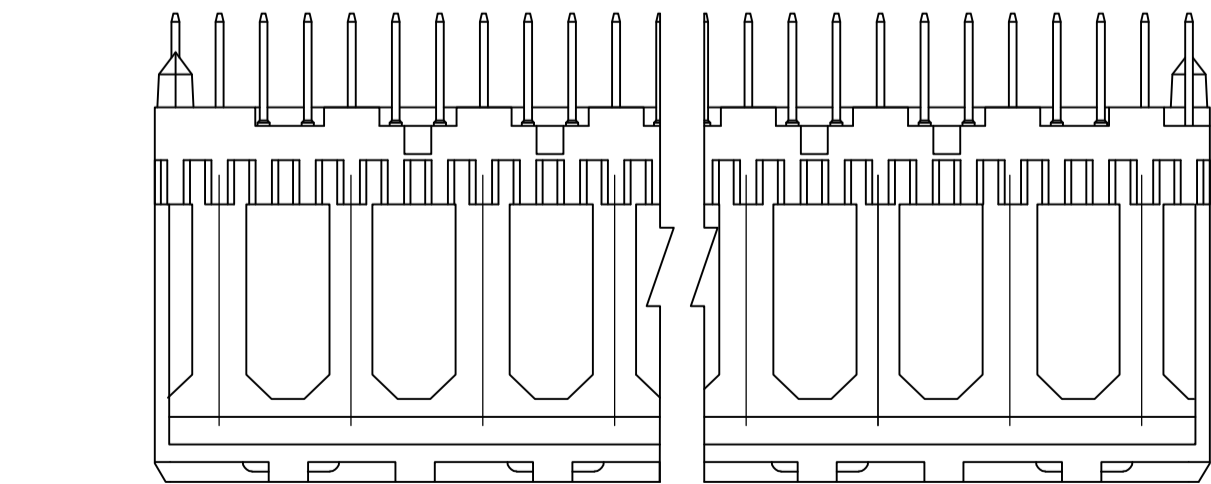
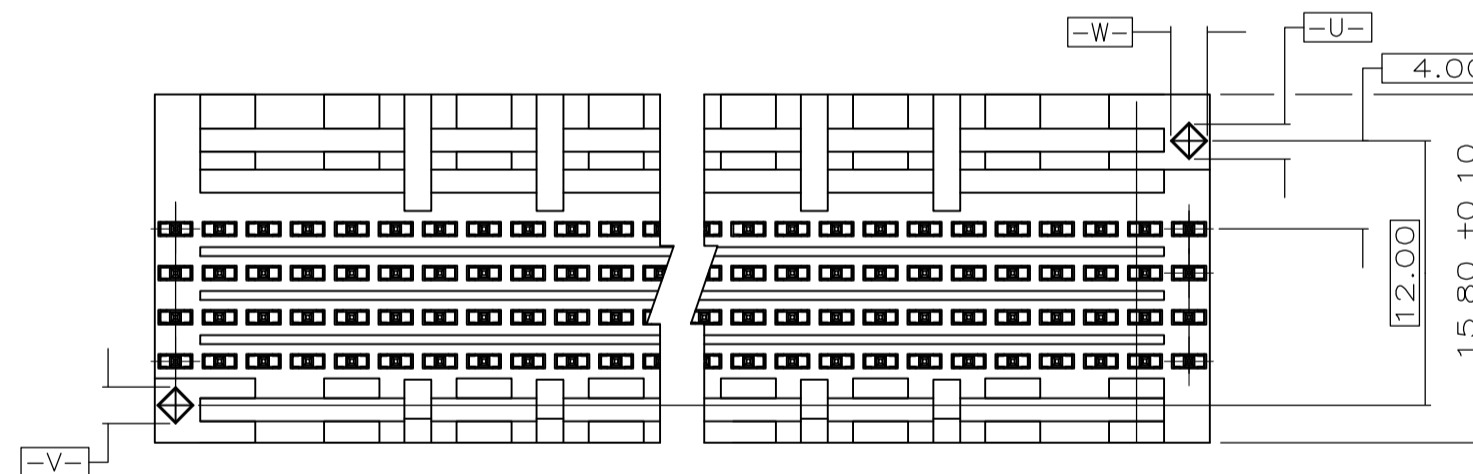
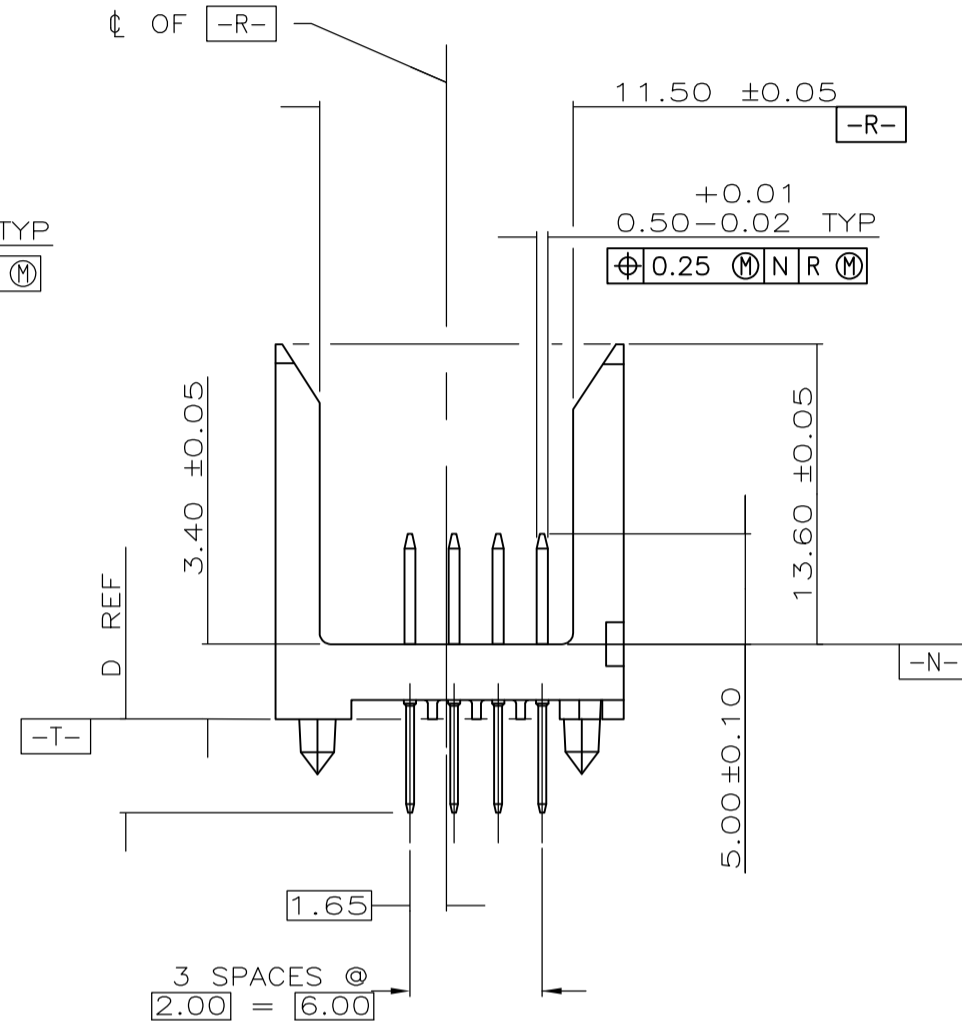
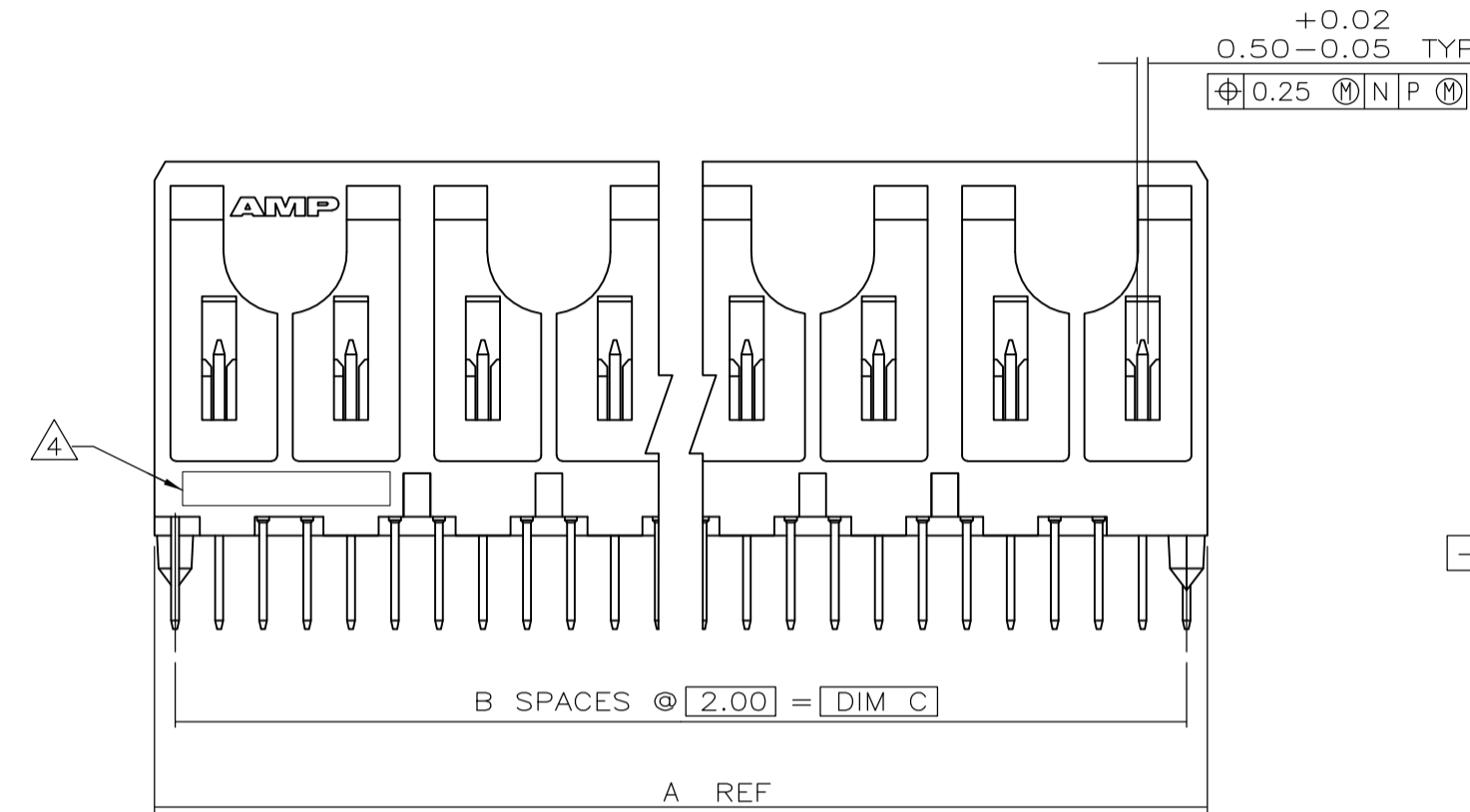
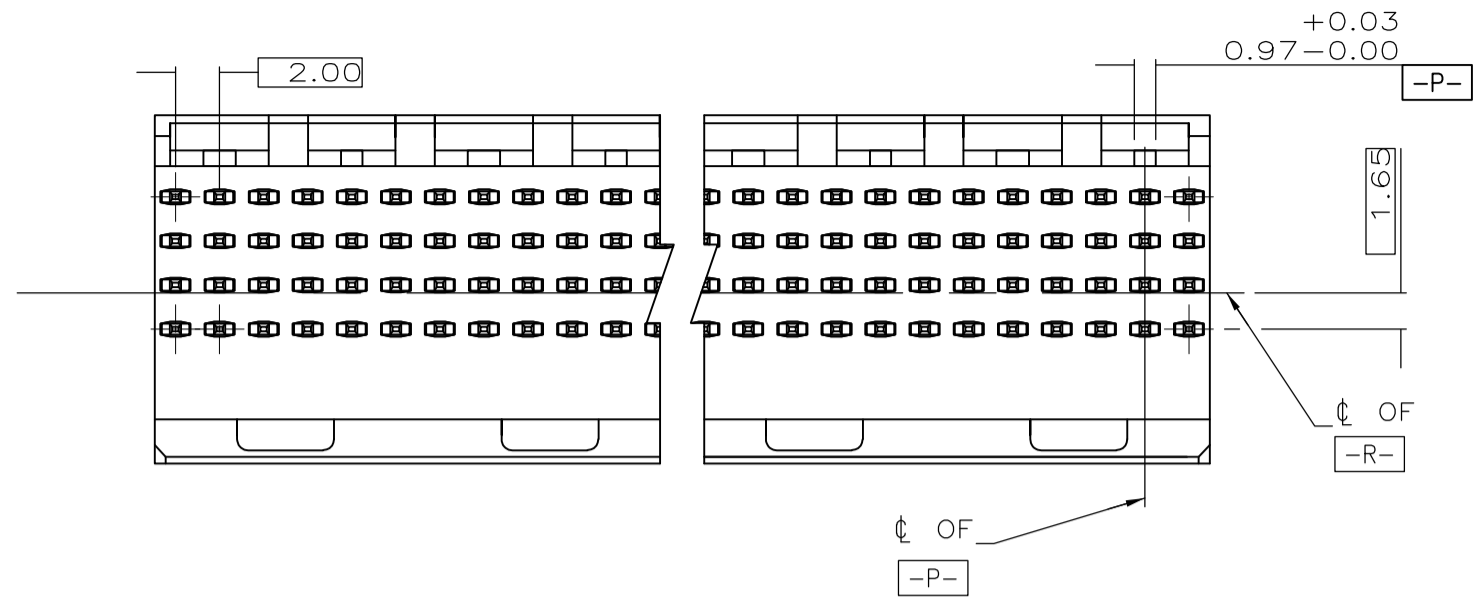
Email & Skype: info@chipsmall.com Web: www.chipsmall.com

Address: A1208, Overseas Decoration Building, #122 Zhenhua RD., Futian, Shenzhen, China

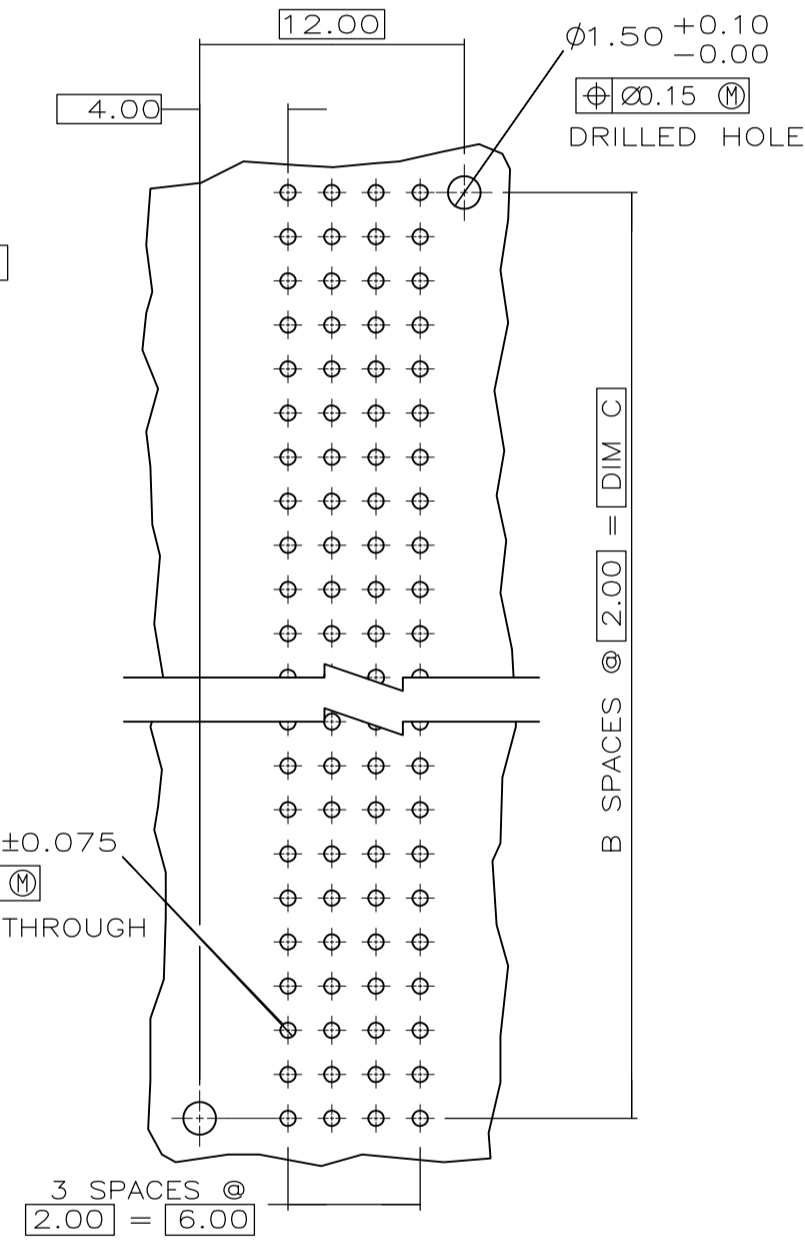


THIS DRAWING IS UNPUBLISHED. RELEASED FOR PUBLICATION
 © COPYRIGHT BY TYCO ELECTRONICS CORPORATION. ALL INTERNATIONAL RIGHTS RESERVED.

LOC		DIST		REVISIONS			
P	LTR	DESCRIPTION	DATE	DWN	APVD		
AD	47	M1	REVISED PER ECO-08-019086	05DEC08	DH	AS	



- 1 HOUSING MATERIAL: LIQUID CRYSTAL POLYMER PER ASTM D5138 LCP000 G30A 32250.
- 2 CONTACT MATERIAL: PHOSPHOR BRONZE.
- 3 CONTACT FINISH:
 UNDERPLATE (ENTIRE CONTACT):
 0.00127 MIN NICKEL.
 ON MATING SURFACES:
 CONFORMS TO ALL TESTING SPECIFIED FOR TELCORDIA UNCONTROLLED ENVIRONMENT.
 ON LEADS
 0.00381 MIN TIN-LEAD OVER UNDERPLATE.
 LUBRICATION (ENTIRE CONTACT):
 SURFACE CONDITIONER PER AMP SPEC 112-1002 AFTER PLATING.
- 4 PART MARKING PER AMP INCORPORATED SPECIFICATION 115-9009, LOCATED APPROXIMATELY AS SHOWN.



RECOMMENDED CIRCUIT PATTERN
 PER IPC-D300 TYPE II, CLASS C
 (COMPONENT SIDE)

4.25	70.00	35	71.88	3	144	536513-5
4.25	94.00	47	95.88	3	192	536513-4
4.25	46.00	23	47.88	3	96	536513-3
4.25	22.00	11	23.88	3	48	536513-2
4.25	10.00	5	11.88	3	24	536513-1
D	C	B	A	FINISH	NO OF POSN	NUMBER

THIS DRAWING IS A CONTROLLED DOCUMENT.		DWN	04/01/93	Tyco Electronics Corporation Harrisburg, PA 17105-3608		
DIMENSIONS: mm		CHK	04/05/93			
TOLERANCES UNLESS OTHERWISE SPECIFIED:		APVD	04/02/93	NAME		
0 PLC	± -	D.BAFCHTLE		PIN ASSEMBLY, SIGNAL MODULE, Z-PACK 2mm FB		
1 PLC	± -	PRODUCT SPEC		2mm		
2 PLC	± 0.13	APPLICATION SPEC		SIZE	CAGE CODE	DRAWING NO
3 PLC	± -	WEIGHT		A2	00779	C=536513
4 PLC	± -	FINISH		RESTRICTED TO		
ANGLES	± -	CUSTOMER DRAWING		SCALE	SHEET	REV
FINISH	3	SCALE 4:1		1	of 1	M1