



Chipsmall Limited consists of a professional team with an average of over 10 year of expertise in the distribution of electronic components. Based in Hongkong, we have already established firm and mutual-benefit business relationships with customers from,Europe,America and south Asia,supplying obsolete and hard-to-find components to meet their specific needs.

With the principle of "Quality Parts,Customers Priority,Honest Operation,and Considerate Service",our business mainly focus on the distribution of electronic components. Line cards we deal with include Microchip,ALPS,ROHM,Xilinx,Pulse,ON,Everlight and Freescale. Main products comprise IC,Modules,Potentiometer,IC Socket,Relay,Connector.Our parts cover such applications as commercial,industrial, and automotives areas.

We are looking forward to setting up business relationship with you and hope to provide you with the best service and solution. Let us make a better world for our industry!



## Contact us

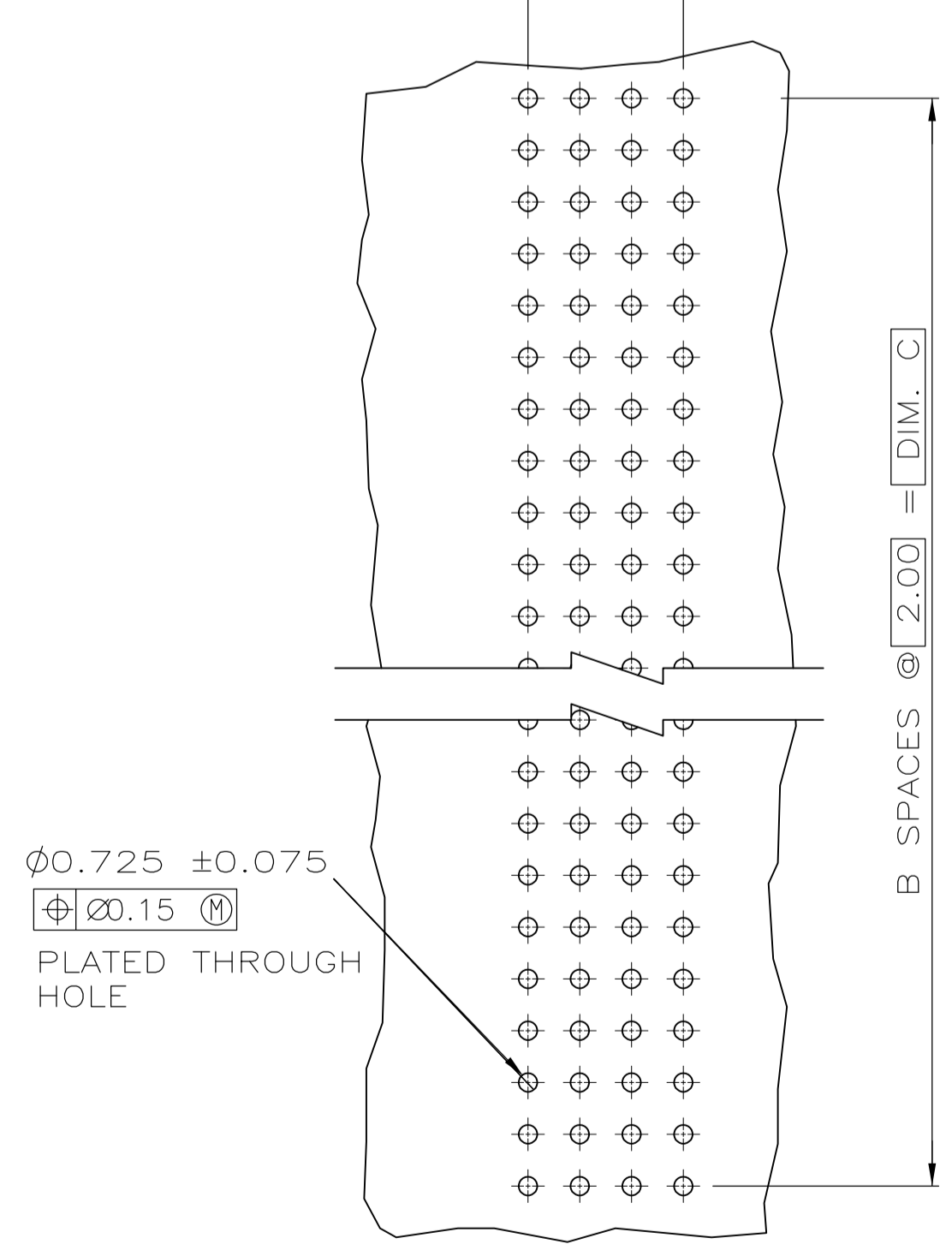
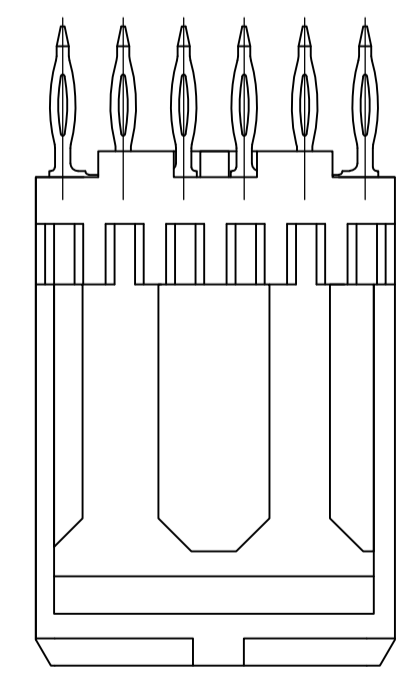
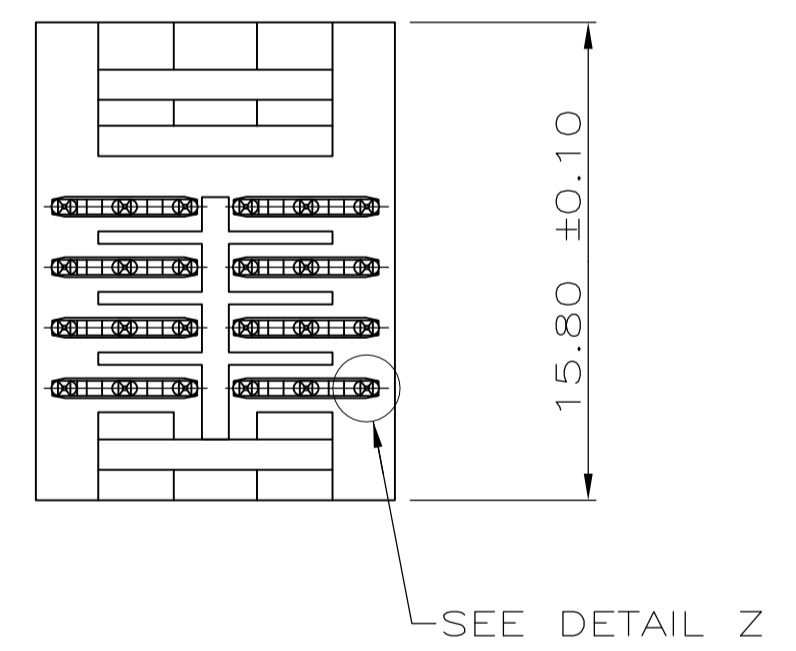
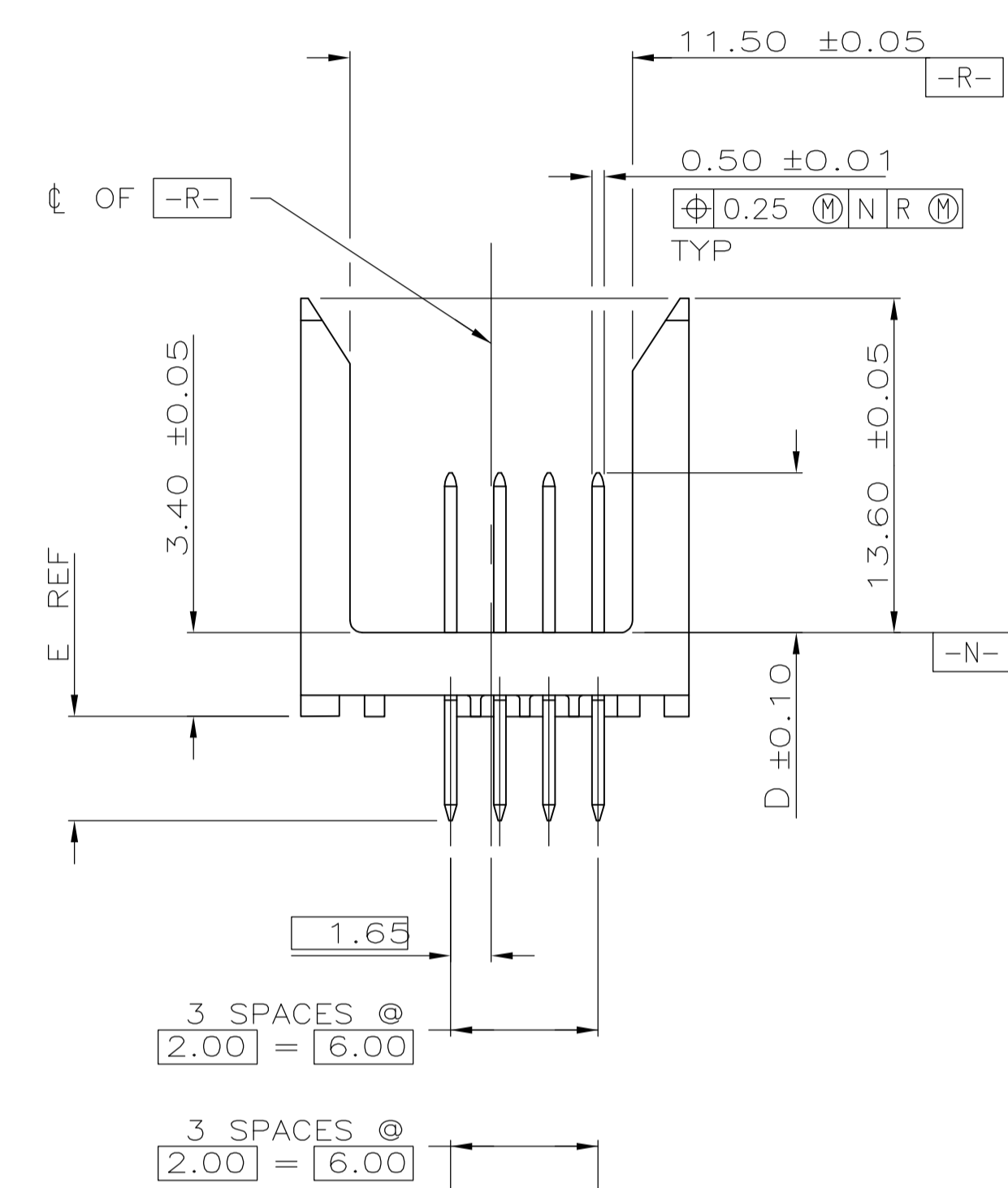
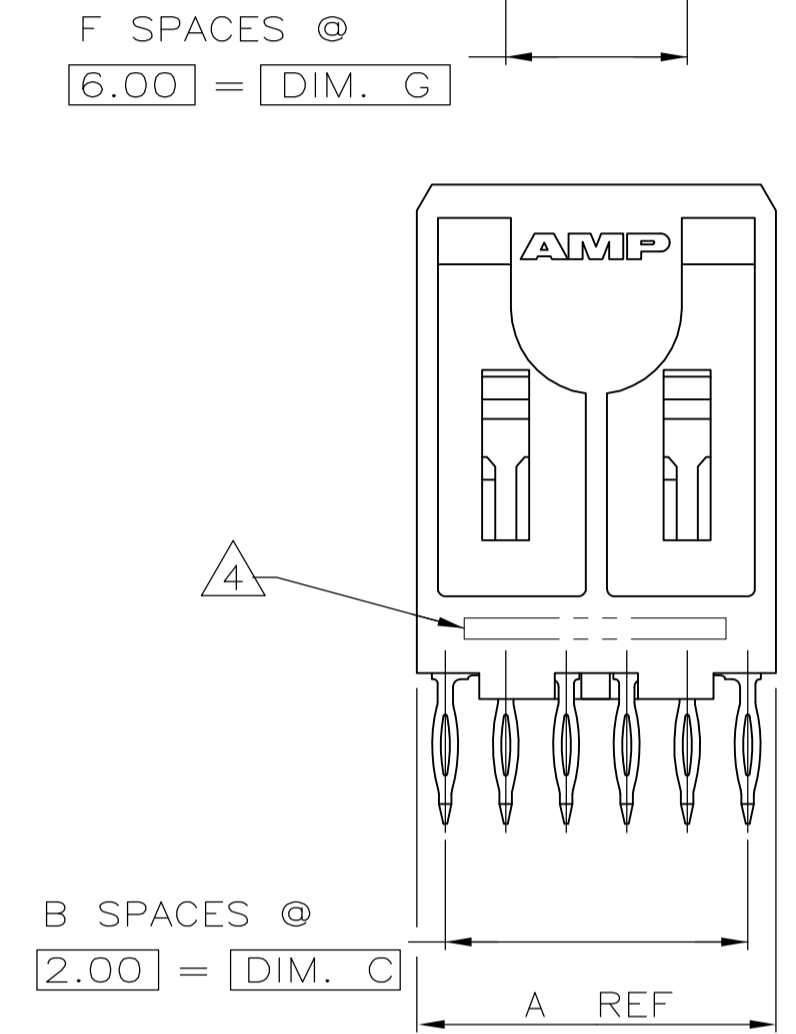
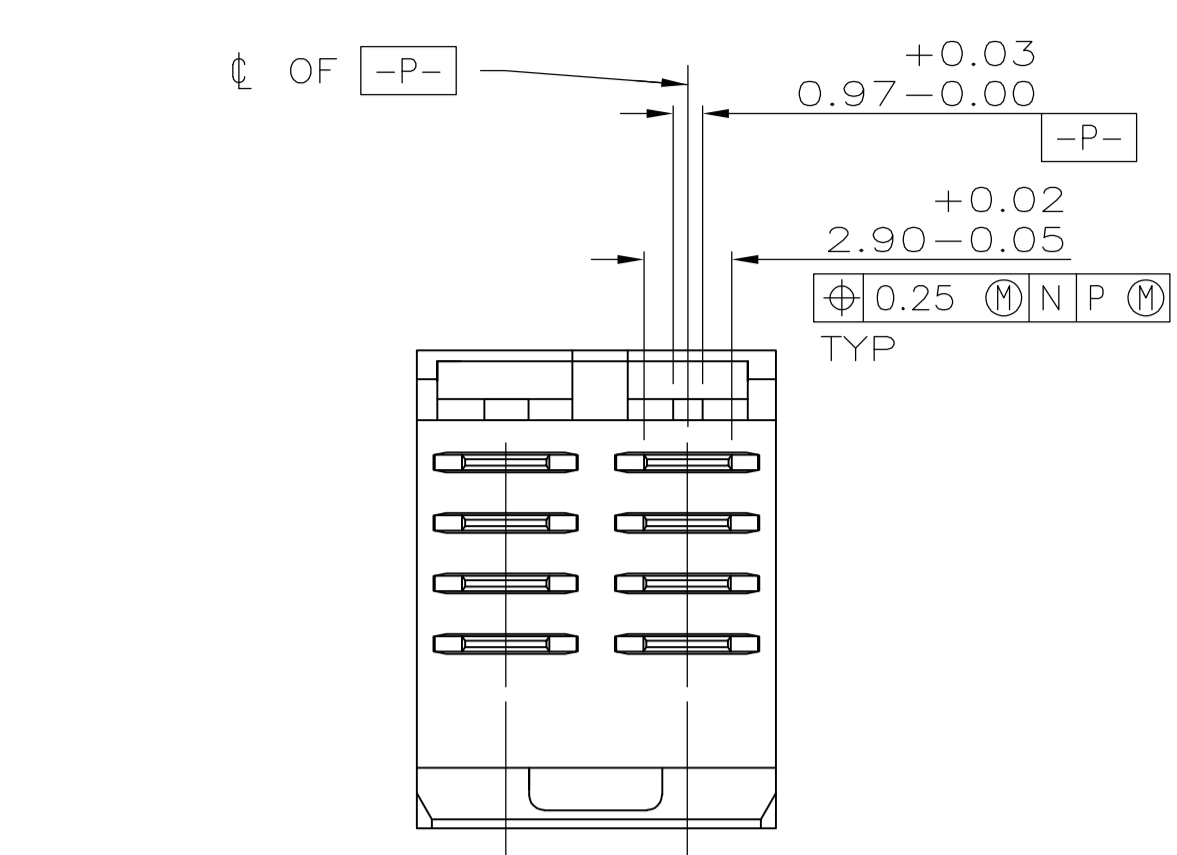
Tel: +86-755-8981 8866 Fax: +86-755-8427 6832

Email & Skype: info@chipsmall.com Web: www.chipsmall.com

Address: A1208, Overseas Decoration Building, #122 Zhenhua RD., Futian, Shenzhen, China



LOC		DIST		REVISIONS			
AD	47	REV	DATE	BY	CHKD	APVD	
M		REVISED PER ECO-05-010068	21DEC05	JDP	RW		
M1		REVISED PER ECO-09-021826	08JAN10	KK	AEG		



- 1 HOUSING MATERIAL: LIQUID CRYSTAL POLYMER PER ASTM D5138 LCP000 G30A 32250.
- 2 CONTACT MATERIAL: PHOSPHOR BRONZE PER UNS ALLOY NO. C51100, TEMPER: H04.
- 3 CONTACT FINISH:  
 UNDERPLATE (ENTIRE CONTACT):  
 0.00127 MIN NICKEL PER SAE-AMS-QQ-N-290  
 ON MATING SURFACES:  
 FLASH GOLD PER ASTM B 488, OVER  
 0.00076 MIN PALLADIUM-NICKEL OVER UNDERPLATE, OR  
 0.00076 MIN GOLD PER ASTM B 488 OVER UNDERPLATE.  
 ON LEADS:  
 0.00127 MIN TIN-LEAD OVER UNDERPLATE.  
 LUBRICATION (MIN MATING SURFACES):  
 SURFACE CONDITIONER AFTER PLATING.
- 4 PART MARKING PER AMP SPEC 115-9009.  
 LOCATED APPROXIMATELY AS SHOWN.
- 5 OBSOLETE PARTS: OBSOLETE CIS STREAMLINING PER D.RENAUD/D.SINISI

ROW	D	AA	AA
C	AA	AA	AA
B	AA	AA	AA
A	AA	AA	AA

P/N 536603-1

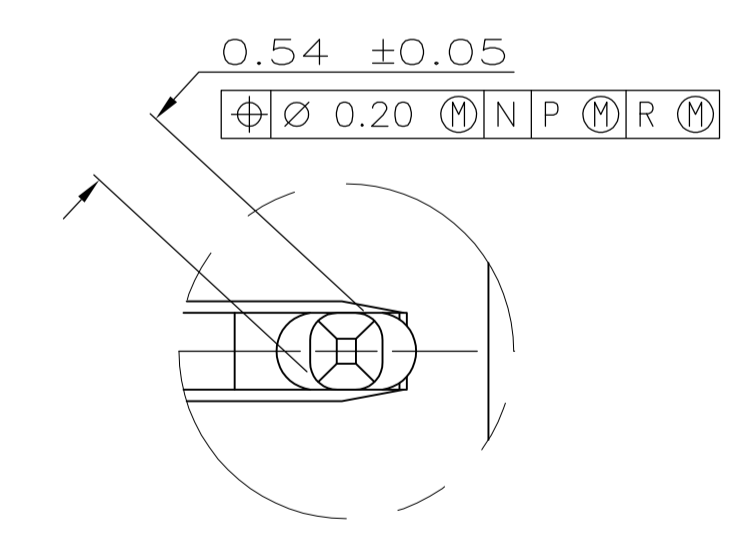
ROW	D	AB	AB
C	AB	AB	AB
B	AC	AC	AC
A	AC	AC	AC

P/N 536603-2

ROW	D	AB	AB
C	AC	AC	AC
B	AC	AC	AC
A	AC	AC	AC

P/N 536603-6

CODE LETTER	MATING POST LENGTH D	LEAD LENGTH (REF)
AA	6.5	4.25
AB	7.25	4.25
AC	8	4.25



DETAIL Z  
SCALE 20:1

5 OBSOLETE	G	F	E	C	B	A	FINISH	NO OF POSN	PART NUMBER
	6.00	1	4.25	10.00	5	11.83	3	8	536603-6
	6.00	1	4.25	10.00	5	11.83	3	8	536603-2
	6.00	1	4.25	10.00	5	11.83	3	8	536603-1

RECOMMENDED CIRCUIT PATTERN  
 PER IPC-D300 TYPE II, CLASS C  
 (COMPONENT SIDE)

THIS DRAWING IS A CONTROLLED DOCUMENT.

DIMENSIONS: mm	TOLERANCES UNLESS OTHERWISE SPECIFIED:	DIN J. LOCONDRO 10/19/92	Tyco Electronics Corporation
0. PLC ± -	1. PLC ± -	CHK D. BAECHTLE 02/18/93	Harrisburg, PA 17105-3608
2. PLC ± 0.13	3. PLC ± -	APVD	NAME
4. PLC ± -	ANGLES ± -	PRODUCT SPEC	PIN ASSEMBLY, POWER MODULE, 2mm CENTERLINE, 4 ROW, PRESS FIT CONTACTS.
MATERIAL	FINISH	APPLICATION SPEC	SIZE CAGE CODE DRAWING NO
		WEIGHT	A1 00779 C=536603
		CUSTOMER DRAWING	RESTRICTED TO
		SCALE 4:1	SHEET 1 OF 1 REV M1