



Chipsmall Limited consists of a professional team with an average of over 10 year of expertise in the distribution of electronic components. Based in Hongkong, we have already established firm and mutual-benefit business relationships with customers from,Europe,America and south Asia,supplying obsolete and hard-to-find components to meet their specific needs.

With the principle of "Quality Parts,Customers Priority,Honest Operation,and Considerate Service",our business mainly focus on the distribution of electronic components. Line cards we deal with include Microchip,ALPS,ROHM,Xilinx,Pulse,ON,Everlight and Freescale. Main products comprise IC,Modules,Potentiometer,IC Socket,Relay,Connector.Our parts cover such applications as commercial,industrial, and automotives areas.

We are looking forward to setting up business relationship with you and hope to provide you with the best service and solution. Let us make a better world for our industry!



## Contact us

Tel: +86-755-8981 8866 Fax: +86-755-8427 6832

Email & Skype: info@chipsmall.com Web: www.chipsmall.com

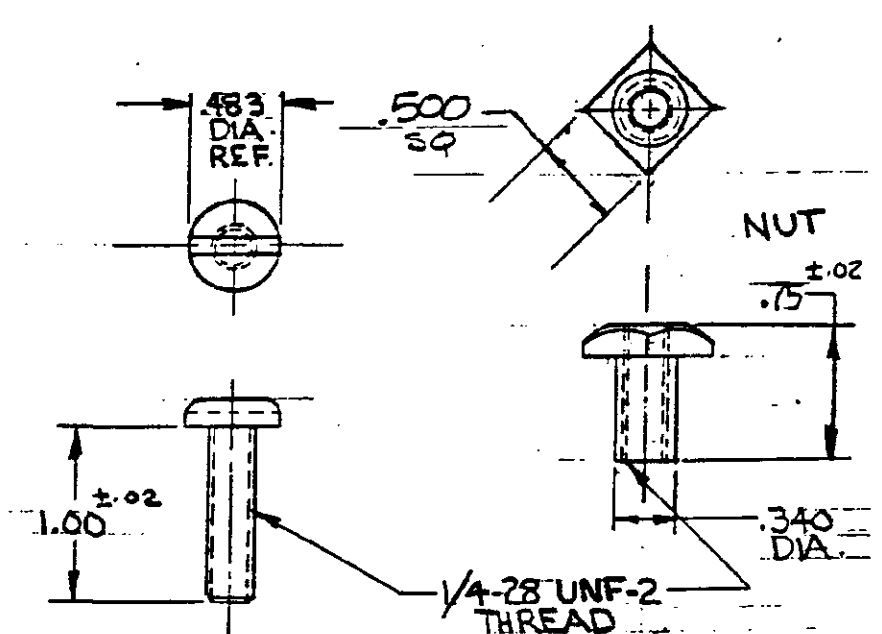
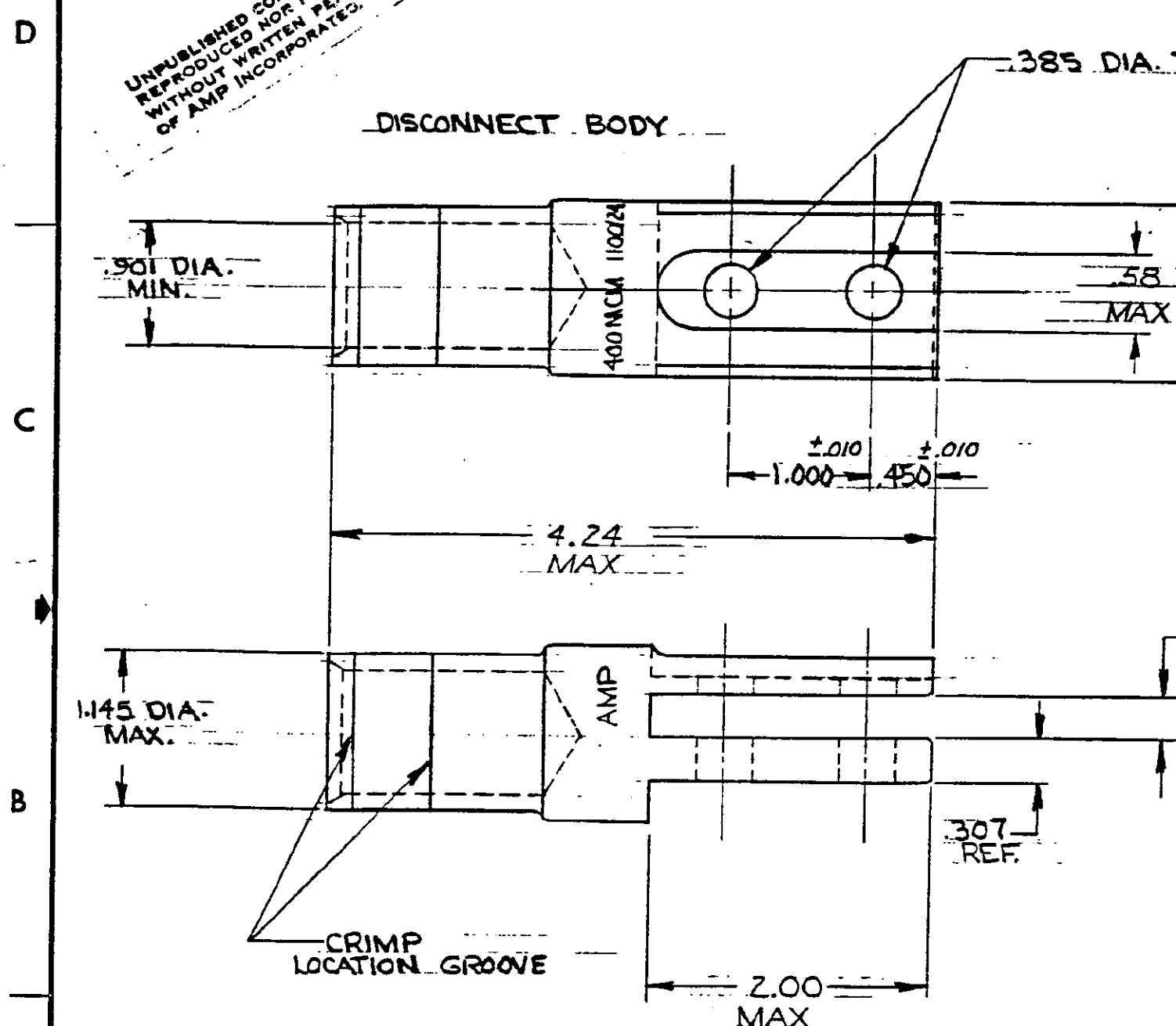
Address: A1208, Overseas Decoration Building, #122 Zhenhua RD., Futian, Shenzhen, China



© COPYRIGHT 1975 BY AMP INCORPORATED, HARRISBURG, PA. ALL INTERNATIONAL RIGHTS RESERVED. AMP INCORPORATED PRODUCTS COVERED BY U. S. AND FOREIGN PATENTS AND/OR PATENTS PENDING.

REVISIONS						
P	F	ZONE	LTR	DESCRIPTION	DATE	APPROVED
		0		NPS 74-0542	10-20-75	RCH
		A		REV U-1037	9/24/78	DP
		B		ECN 850727	7-78	CKD
		C		ECN 1-12-90	1-90	Raj
		D		REV 0720-0856-96	6/96	DKS/WTV

UNPUBLISHED COPY NO. 10  
REPRODUCED NOR PUBLISHED  
WITHOUT WRITTEN PERMISSION  
OF AMP INCORPORATED.



SCREW, PAN HEAD (ASA B18.6.3-1962)

NOTE:  
1. ASSEMBLY CONSISTS OF ONE (1) EACH DISCONNECT BODY, SCREW, & NUT

DISCONNECT BODY: BRASS (QQ-B-626)			
NUT: STEEL (QQ-5-631 OR 634) OR BRASS (QQ-B-626)		53661-1	
TIN PLATED (MIL-T-10727)			
SCREW: STEEL, TIN PLATED (MIL-T-10727)			
MATERIAL & FINISH		PART NO.	
UNLESS OTHERWISE SPECIFIED DIMENSIONS ARE IN INCHES. TOLERANCES ON: DECIMALS ±.008 ANGLES ±5°	CONTRACT NO	AMP INCORPORATED Harrisburg, Pa.	
MATERIAL	DR R. Hoffman 10/3/75		
SEE ABOVE	CHK Abel 10-20-75	NAME WIRE TERMINAL AMPOWER DISCONNECT - BOLTED WIRE SIZE: 400 MCM	
FINISH	APPD	SIZE B	CODE IDENT NO 00779
SEE ABOVE	APPD	DRAWING NO	53661
	DSGN APPD R. Hoffman 10/3/75	SCALE 1:1	SHEET
	OTHER APPD Abel 10-20-75		