



Chipsmall Limited consists of a professional team with an average of over 10 year of expertise in the distribution of electronic components. Based in Hongkong, we have already established firm and mutual-benefit business relationships with customers from,Europe,America and south Asia,supplying obsolete and hard-to-find components to meet their specific needs.

With the principle of "Quality Parts,Customers Priority,Honest Operation,and Considerate Service",our business mainly focus on the distribution of electronic components. Line cards we deal with include Microchip,ALPS,ROHM,Xilinx,Pulse,ON,Everlight and Freescale. Main products comprise IC,Modules,Potentiometer,IC Socket,Relay,Connector.Our parts cover such applications as commercial,industrial, and automotives areas.

We are looking forward to setting up business relationship with you and hope to provide you with the best service and solution. Let us make a better world for our industry!



## Contact us

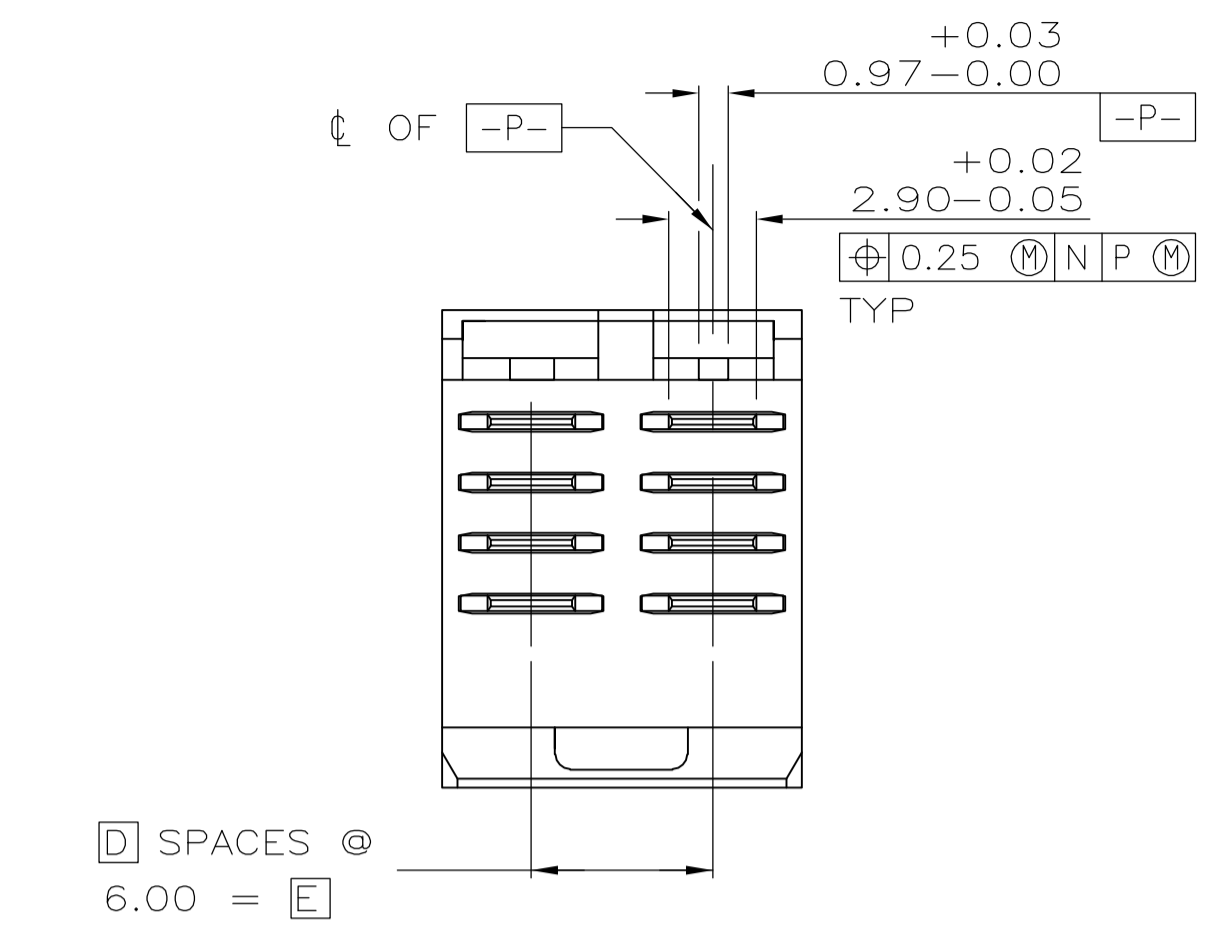
Tel: +86-755-8981 8866 Fax: +86-755-8427 6832

Email & Skype: info@chipsmall.com Web: www.chipsmall.com

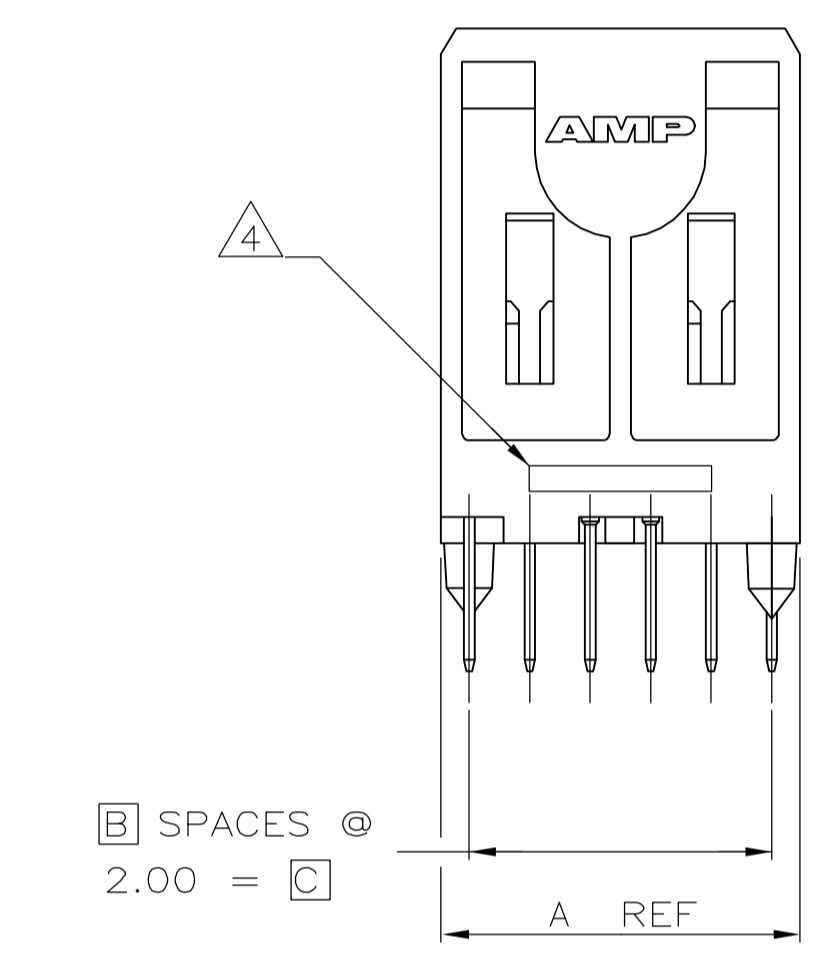
Address: A1208, Overseas Decoration Building, #122 Zhenhua RD., Futian, Shenzhen, China



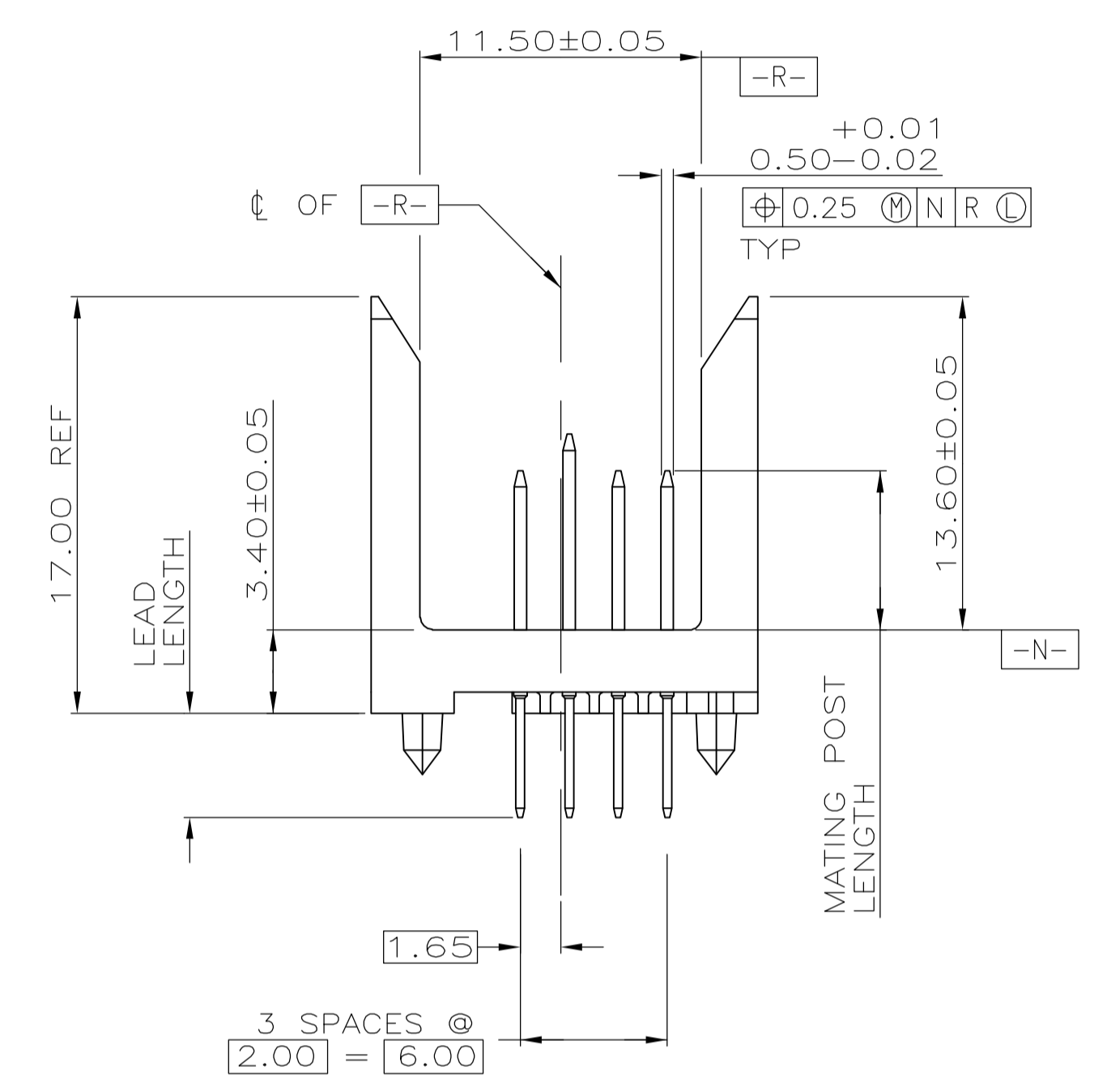
- ① HOUSING MATERIAL: LIQUID CRYSTAL POLYMER  
COLOR: NATURAL.
- ② CONTACT MATERIAL: PHOSPHOR BRONZE PER UNS ALLOY NO. C51100, TEMPER: H04.
- ③ CONTACT FINISH:  
UNDERPLATE (ENTIRE CONTACT):  
0.00127 MIN NICKEL PER SAE-AMS-QQ-N-290  
ON MATING SURFACES:  
FLASH GOLD PER ASTM B 488, OVER  
0.00076 MIN PALLADIUM-NICKEL OVER UNDERPLATE, OR  
0.00076 MIN GOLD PER ASTM B 488 OVER UNDERPLATE.  
ON LEADS:  
0.00381 MIN TIN-LEAD OVER UNDERPLATE.  
LUBRICATION (MIN MATING SURFACES)  
SURFACE CONDITIONER AFTER PLATING.
- ④ PART MARKING LOCATED APPROXIMATELY AS SHOWN.



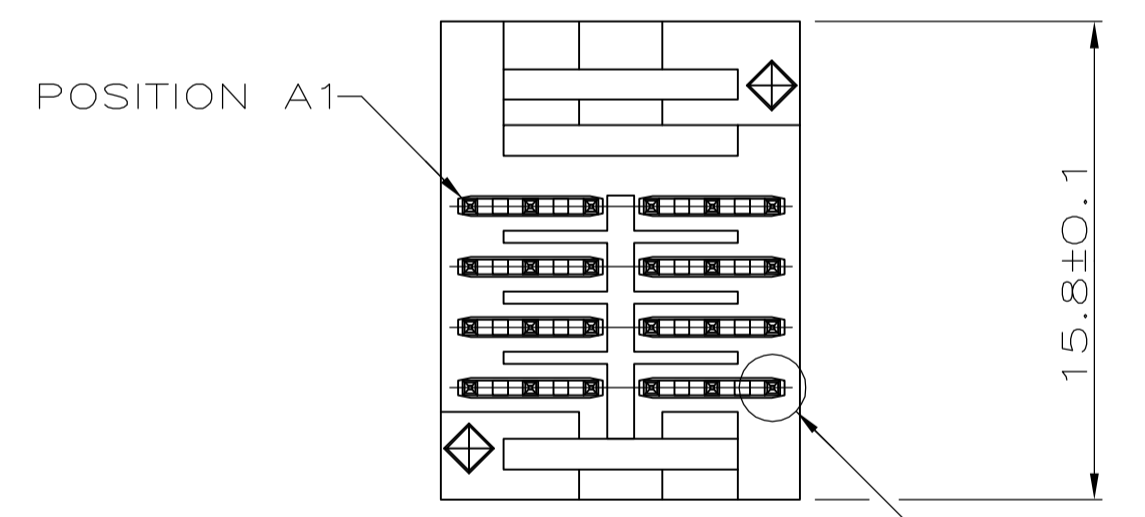
④ SPACES @  
6.00 = ⑤



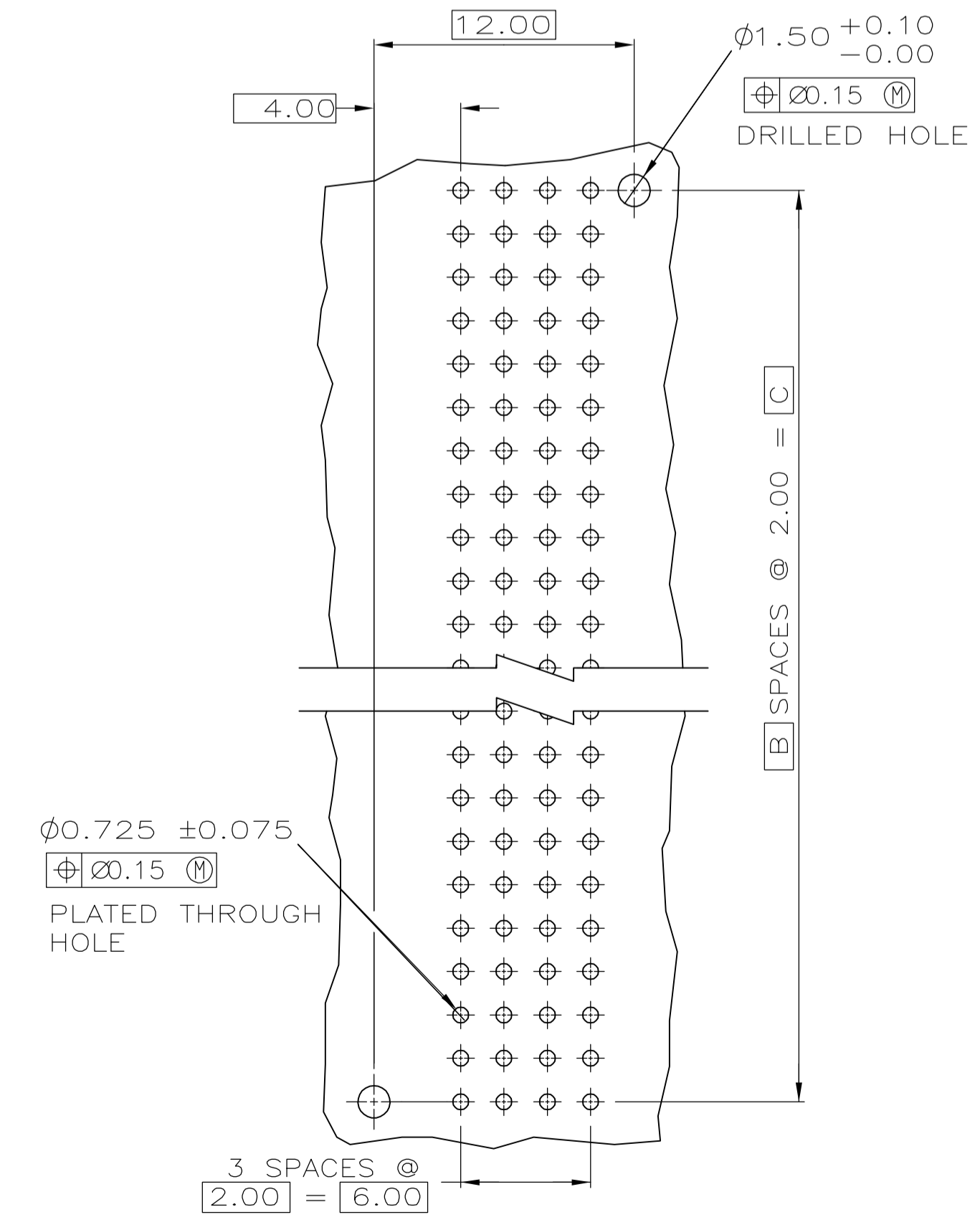
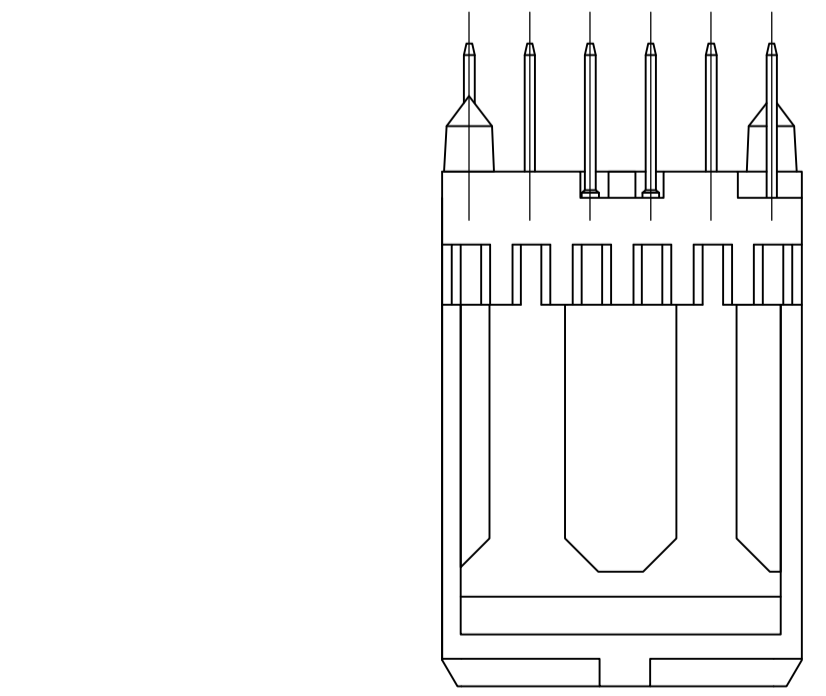
② SPACES @  
2.00 = ③



③ SPACES @  
2.00 = ⑥

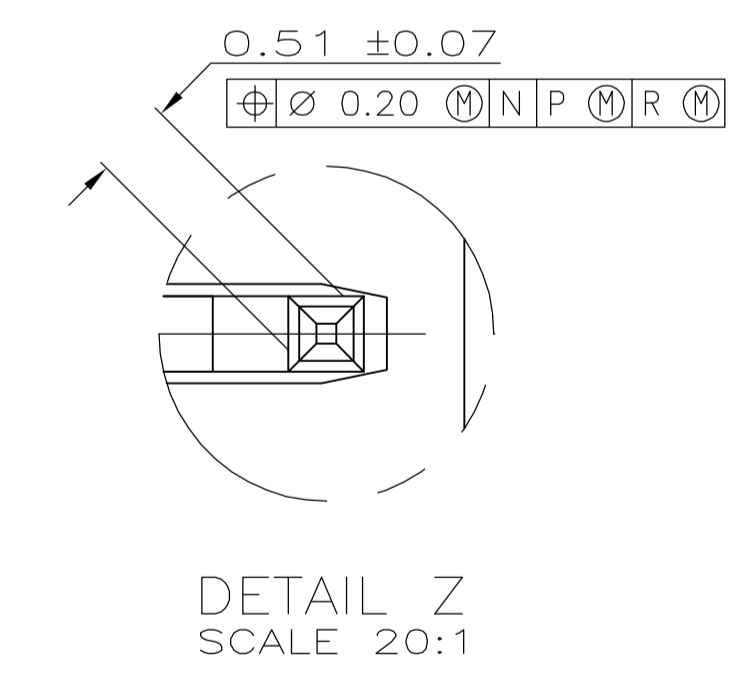


SEE DETAIL Z



③ SPACES @  
2.00 = ⑥

RECOMMENDED CIRCUIT PATTERN  
 PER IPC-D300 TYPE II, CLASS C  
 (COMPONENT SIDE)



DETAIL Z  
 SCALE 20:1

ROW	D	CA	CA
C	CA	CA	CA
B	CC	CC	CC
A	CA	CA	CA

1	2	3	4	5	6
POWER POSITION					

CODE LETTER	MATING POST LENGTH ±0.1	LEAD LENGTH (REF)
CC	8	4.25
CA	6.5	4.25

6	1	10	5	11.88	③	8	536627-1
E	D	C	B	A	FINISH	NO OF POWER POSN	PART NUMBER

THIS DRAWING IS A CONTROLLED DOCUMENT.		DIN R BUCHHEISTER 19/APR/96	Tyco Electronics Corporation Harrisburg, PA 17105-3608
DIMENSIONS: mm		CHK D BAECHTLE 19/APR/96	
TOLERANCES UNLESS OTHERWISE SPECIFIED:		APVD D BAECHTLE 19/APR/96	NAME: ASSEMBLY, PIN, POWER, VERTICAL, Z-PACK 2mm FB, 4 ROW, SOLDER LEADS, SEQUENCED BY ROW
0 PLC ± -		PRODUCT SPEC	
1 PLC ± -		APPLICATION SPEC	SIZE: A1
2 PLC ± 0.13[005]		WEIGHT	CAGE CODE: 00779
3 PLC ± -		FINISH	DRAWING NO: 536627
4 PLC ± -		CUSTOMER DRAWING	RESTRICTED TO
ANGLES ± -		SCALE: 4:1	SHEET 1 OF 1
MATERIAL		REV: G	