



Chipsmall Limited consists of a professional team with an average of over 10 year of expertise in the distribution of electronic components. Based in Hongkong, we have already established firm and mutual-benefit business relationships with customers from,Europe,America and south Asia,supplying obsolete and hard-to-find components to meet their specific needs.

With the principle of “Quality Parts,Customers Priority,Honest Operation,and Considerate Service”,our business mainly focus on the distribution of electronic components. Line cards we deal with include Microchip,ALPS,ROHM,Xilinx,Pulse,ON,Everlight and Freescale. Main products comprise IC,Modules,Potentiometer,IC Socket,Relay,Connector.Our parts cover such applications as commercial,industrial, and automotives areas.

We are looking forward to setting up business relationship with you and hope to provide you with the best service and solution. Let us make a better world for our industry!



Contact us

Tel: +86-755-8981 8866 Fax: +86-755-8427 6832

Email & Skype: info@chipsmall.com Web: www.chipsmall.com

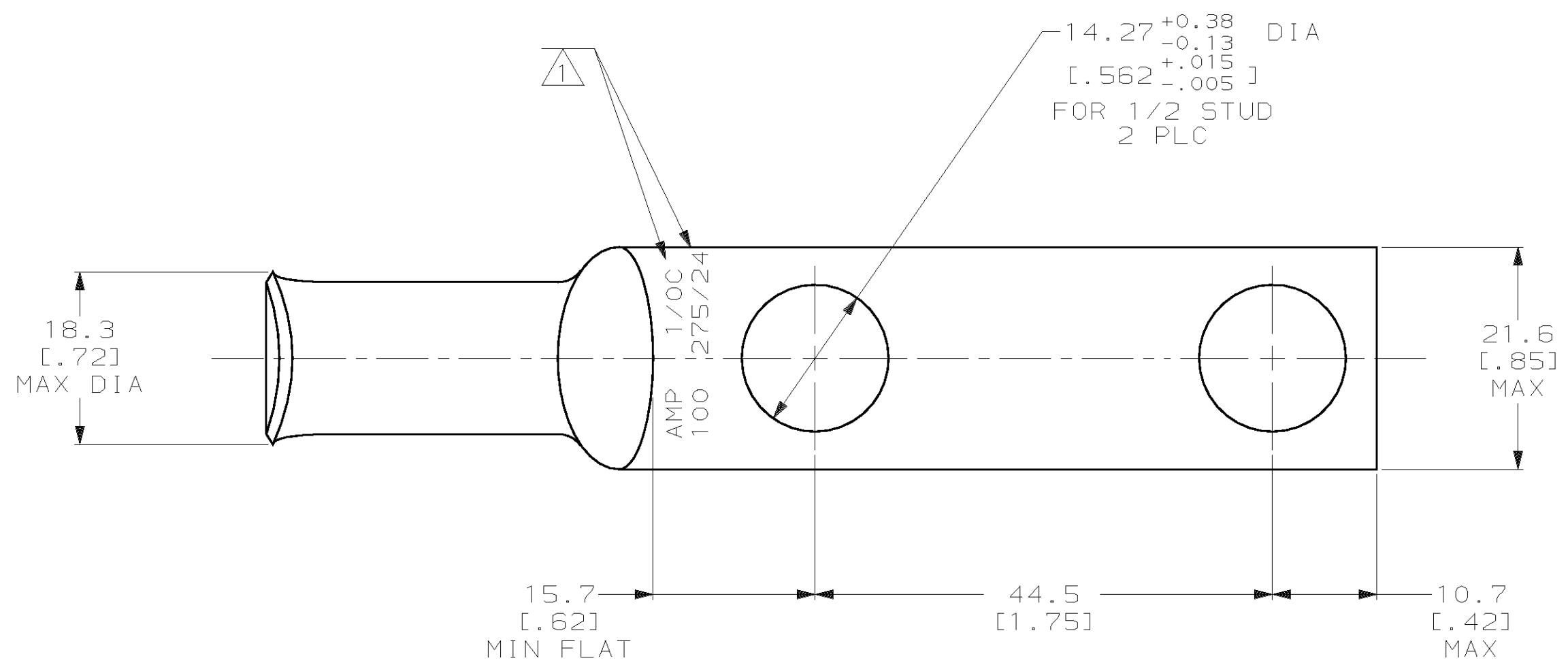
Address: A1208, Overseas Decoration Building, #122 Zhenhua RD., Futian, Shenzhen, China



THIS DRAWING IS UNPUBLISHED. RELEASED FOR PUBLICATION, 19 .
 © COPYRIGHT 19 BY AMP INCORPORATED. ALL INTERNATIONAL RIGHTS RESERVED.

LOC		DIST		P		F		ZONE		LTR		REVISIONS		DATE	APPD
G		86												030CT02	JR/MS
												E	REV PER 063A-0561-01		

METRIC
 DIMENSIONS LISTED IN mm [INCHES]



△ STAMP AMP 1/0C 100 275/24 APPROX AS SHOWN

AMP INCORPORATED CUSTOMER SERVICE SYSTEMS		MAX RECOMMENDED OPERATING TEMPERATURE: 170°C MAX		DO NOT SCALE PRINT. UNLESS SPECIFIED DIMENSIONS IN mm [INCHES] TOLERANCES ON: 2 PLC DEC ± 0.20 [0.008] 3 PLC DEC ± - ANGLES ± -		DR 30AUG94 DK SCHRUM		AMP Incorporated Harrisburg, PA 17105-3608	
FOR ADDITIONAL PRODUCT INFORMATION OR COPIES OF DRAWINGS AND TECHNICAL DOCUMENTS		VOLTAGE RATING: NOT APPLICABLE		MATERIAL COPPER PER ASTM B-75 ANNEALED		CHK 31AUG94 AJ KAUFMAN			
FOR APPLICATION TOOLING INFORMATION		CIRCULAR MIL AREA: 42.41-60.55mm ² [83,700-119,500] CIR MILS STRANDED		FINISH TIN PLATE 0.00381 [0.000150] MIN THK PER MIL-T-10727		APPD 31AUG94 RE ROSER		DRAWING NO C-53680	
FOR ORDER ENTRY		THIS DRAWING IS A CONTROLLED DOCUMENT FOR AMP INCORPORATED. IT IS SUBJECT TO CHANGE AND THE CONTROLLING ENGINEERING ORGANIZATION SHOULD BE CONTACTED FOR THE LATEST REVISION.		APPLICATION SPEC		APPD 31AUG94 JL MECKLEY		CAGE CODE 00779	
PRODUCT INFORMATION CENTER 1-800-522-6752						PRODUCT SPEC		SCALE 2:1	
TOOLING ASSISTANCE CENTER 1-800-722-1111						APPLICATION SPEC		SHEET 1 OF 1	
1-800-526-5142						WEIGHT		CUSTOMER DRAWING	