



Chipsmall Limited consists of a professional team with an average of over 10 year of expertise in the distribution of electronic components. Based in Hongkong, we have already established firm and mutual-benefit business relationships with customers from,Europe,America and south Asia,supplying obsolete and hard-to-find components to meet their specific needs.

With the principle of “Quality Parts,Customers Priority,Honest Operation,and Considerate Service”,our business mainly focus on the distribution of electronic components. Line cards we deal with include Microchip,ALPS,ROHM,Xilinx,Pulse,ON,Everlight and Freescale. Main products comprise IC,Modules,Potentiometer,IC Socket,Relay,Connector.Our parts cover such applications as commercial,industrial, and automotives areas.

We are looking forward to setting up business relationship with you and hope to provide you with the best service and solution. Let us make a better world for our industry!



Contact us

Tel: +86-755-8981 8866 Fax: +86-755-8427 6832

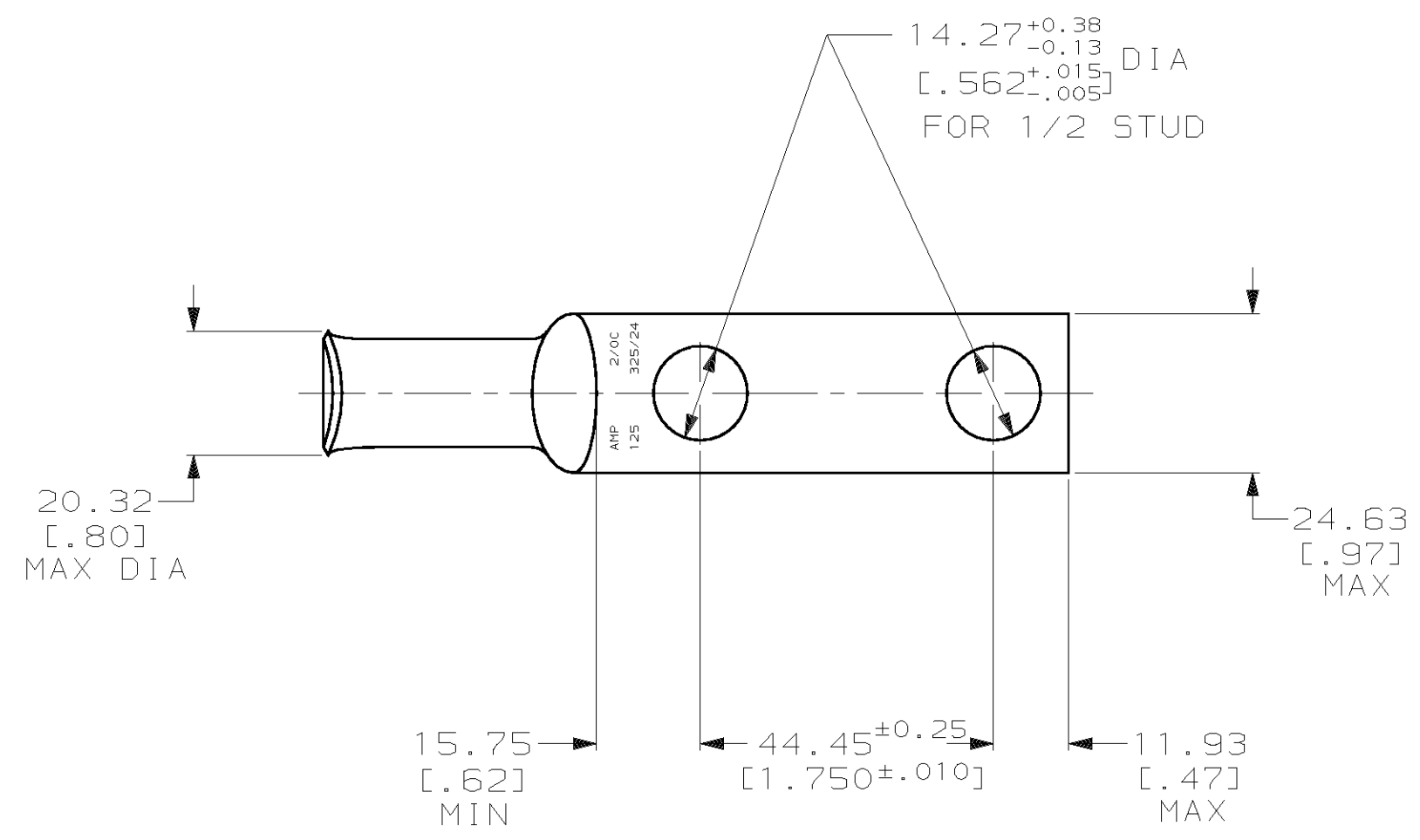
Email & Skype: info@chipsmall.com Web: www.chipsmall.com

Address: A1208, Overseas Decoration Building, #122 Zhenhua RD., Futian, Shenzhen, China

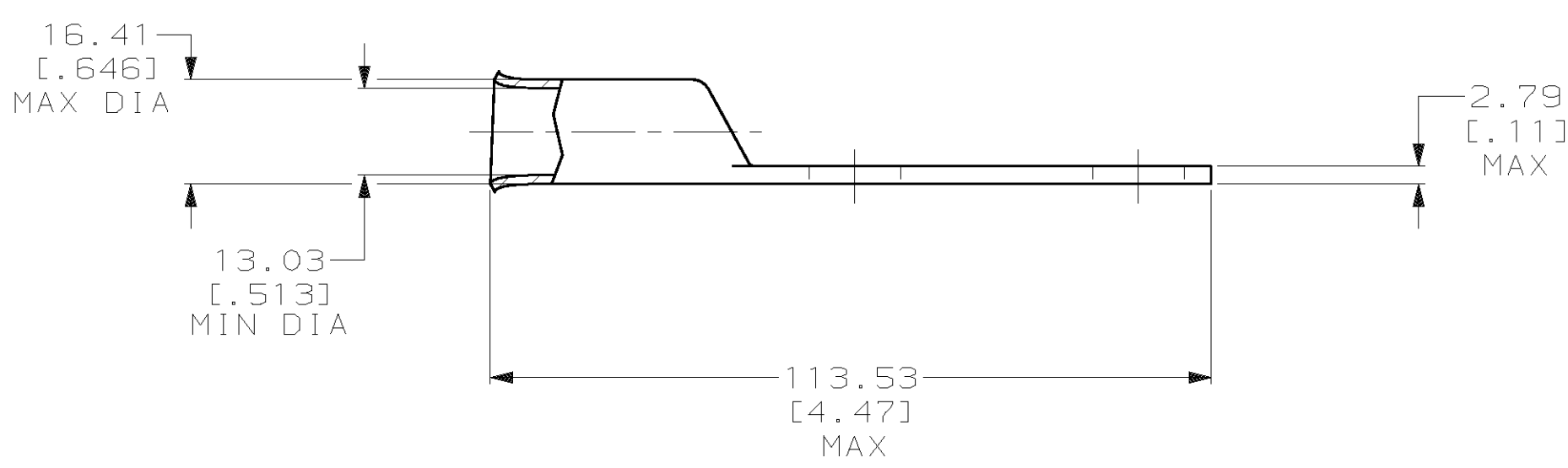


THIS DRAWING IS UNPUBLISHED. RELEASED FOR PUBLICATION ,19 .
 © COPYRIGHT 19 BY AMP INCORPORATED. ALL INTERNATIONAL RIGHTS RESERVED.

LOC		DIST		REVISIONS				DATE	APPD
ZONE	LTR	DESCRIPTION	DATE	APPD					
G	86	P	F	E	REV PER 0G3A-0561-01	030CT02	JR/MS		



1 CIRCULAR MIL RANGE: 119,500-150,500 CM
 2 TIN PL 0.00381 [0.000150] MIN THK PER MIL-T-10727



DO NOT SCALE PRINT. UNLESS SPECIFIED DIMENSIONS IN mm [INCHES] TOLERANCES ON : 2 PLC DEC ± 0.51 [0.020] 3 PLC DEC $\pm -$ ANGLES $\pm -$		DR 02/28/90 DK SCHRUM	53681-2 PART NO	
MATERIAL ANNEALED COPPER ASTM B-75	CHK 18JAN95 MS FEHER	APPD 18JAN95 WJ VOCKROTH	AMP AMP INCORPORATED Harrisburg, Pa. 17105	
FINISH 2	APPD 18JAN95 TL SHUTTER	PRODUCT SPEC -	NAME TERMINAL, AMPPOWER, WIRE SIZE: 2/0 AWG	
APPLICATION SPEC -	APPD 18JAN95 TL SHUTTER	WEIGHT .110 LB	SIZE C	CAGE CODE 00779
			DRAWING NO 53681	SHEET 1 OF 1
			SCALE 1:1	