



Chipsmall Limited consists of a professional team with an average of over 10 year of expertise in the distribution of electronic components. Based in Hongkong, we have already established firm and mutual-benefit business relationships with customers from,Europe,America and south Asia,supplying obsolete and hard-to-find components to meet their specific needs.

With the principle of “Quality Parts,Customers Priority,Honest Operation,and Considerate Service”,our business mainly focus on the distribution of electronic components. Line cards we deal with include Microchip,ALPS,ROHM,Xilinx,Pulse,ON,Everlight and Freescale. Main products comprise IC,Modules,Potentiometer,IC Socket,Relay,Connector.Our parts cover such applications as commercial,industrial, and automotives areas.

We are looking forward to setting up business relationship with you and hope to provide you with the best service and solution. Let us make a better world for our industry!



Contact us

Tel: +86-755-8981 8866 Fax: +86-755-8427 6832

Email & Skype: info@chipsmall.com Web: www.chipsmall.com

Address: A1208, Overseas Decoration Building, #122 Zhenhua RD., Futian, Shenzhen, China



4

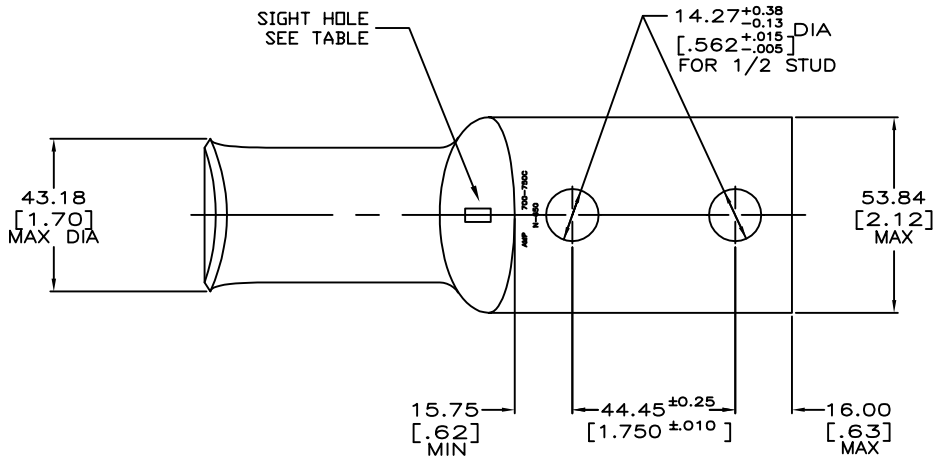
3

2

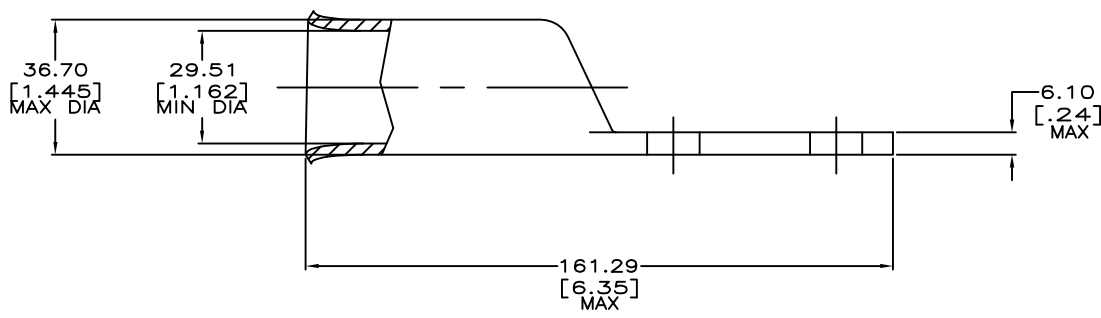
1

THIS DRAWING IS UNPUBLISHED. RELEASED FOR PUBLICATION
 © COPYRIGHT - PK ALL RIGHTS RESERVED.

LOC	DIST	REVISIONS			
P	LTR	DESCRIPTION	DATE	DWN	APVD
G	86	E	ECR-12-021694	18DEC2012	PK HS



- 1 CIRCULAR MIL RANGE: 650-750 MCM
- 2 TIN PL 0.00381[.000150] MIN THK PER ASTM B-545
- 3 CIRCULAR MIL RANGE: 650-750 MCM
- E 4 PART WITHOUT TIN PLATING.



E	REQUIRED	4	53686-4
	REQUIRED	3	53686-3
	---		53686-2
	SIGHT HOLE		PART NO.

THIS DRAWING IS A CONTROLLED DOCUMENT.		DWN DK SCHRUM 02/28/90		TE Connectivity	
DIMENSIONS: MM [INCHES]		CHK MS FEHER 24JAN95		APVD TL SHUTTER 24JAN95	
TOLERANCES UNLESS OTHERWISE SPECIFIED:		PRODUCT SPEC		NAME	
0 PLC ± -		108-30200		TERMINAL, AMPPOWER, WIRE SIZE: 700 MCM	
1 PLC ± -		APPLICATION SPEC		-	
2 PLC ± 0.51[.020]		SIZE		CAGE CODE	
3 PLC ± -		A2		00779	
4 PLC ± -		DRAWING NO		C=53686	
ANGLES		WEIGHT		RESTRICTED TO	
FINISH		.871 LB		-	
ANNEALED COPPER PER ASTM B-75		CUSTOMER DRAWING		SCALE 1:1 SHEET 1 of 1 REV E	

53686