



Chipsmall Limited consists of a professional team with an average of over 10 year of expertise in the distribution of electronic components. Based in Hongkong, we have already established firm and mutual-benefit business relationships with customers from,Europe,America and south Asia,supplying obsolete and hard-to-find components to meet their specific needs.

With the principle of "Quality Parts,Customers Priority,Honest Operation,and Considerate Service",our business mainly focus on the distribution of electronic components. Line cards we deal with include Microchip,ALPS,ROHM,Xilinx,Pulse,ON,Everlight and Freescale. Main products comprise IC,Modules,Potentiometer,IC Socket,Relay,Connector.Our parts cover such applications as commercial,industrial, and automotives areas.

We are looking forward to setting up business relationship with you and hope to provide you with the best service and solution. Let us make a better world for our industry!



Contact us

Tel: +86-755-8981 8866 Fax: +86-755-8427 6832

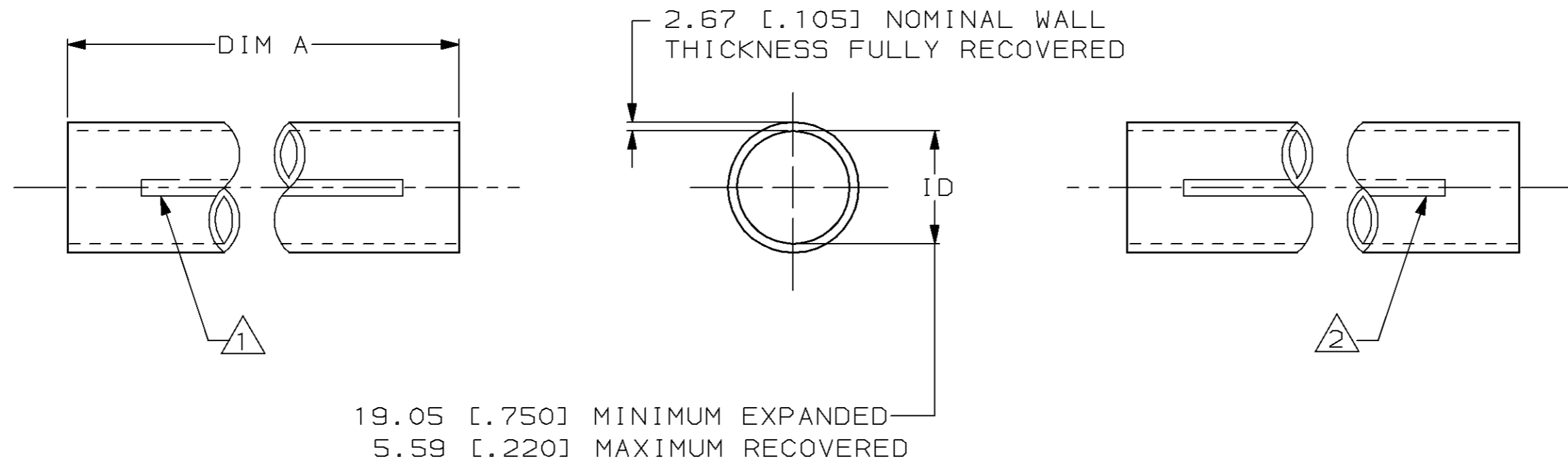
Email & Skype: info@chipsmall.com Web: www.chipsmall.com

Address: A1208, Overseas Decoration Building, #122 Zhenhua RD., Futian, Shenzhen, China



THIS DRAWING IS UNPUBLISHED. RELEASED FOR PUBLICATION, 19 .
 © COPYRIGHT 19 BY AMP INCORPORATED. ALL INTERNATIONAL RIGHTS RESERVED.

LOC	DIST	P	F	REVISIONS				DATE	APPD
AA	25			ZONE	LTR	DESCRIPTION			
					R	REV; EC ON20-0054-97	16SEP97	DS EH	



- ① PRODUCT MARKED WITH AMP, AND DATE CODE WITH 6.35 [.25] HIGH CHARACTERS USING WHITE INK LOCATED ALONG THIS SURFACE. REPEAT EVERY 203.2 [8.0] INCHES.
- ② PRODUCT MARKED .750 - .220/19mm - 5.59mm WITH 6.35 [.25] HIGH CHARACTERS USING WHITE INK LOCATED ALONG THIS SURFACE. REPEATED EVERY 203.2 [8.0] INCHES.
- ③ WEIGHT PER LINEAR FOOT: 31.7 GRAMS/ .07 POUNDS.

304.8 ±4.8 [12.00 ±.19]	53701-7
7696.20 - 7620.00 [303 - 300]	53701-2
1244.6 - 1219.2 [49.00 - 48.00]	53701-1
DIM A	PART NO
DO NOT SCALE PRINT. UNLESS SPECIFIED DIMENSIONS IN mm [INCHES] TOLERANCES ON: 2 PLC DEC ± - 3 PLC DEC ± - ANGLES ± -	DR 1-21-94 W CHANDLER
MATERIAL BLACK POLYOLEFIN	CHK 2-14-94 D KAAT
FINISH -	APPD -
	APPD -
	PRODUCT SPEC -
	APPLICATION SPEC -
	WEIGHT ③
AMP AMP Incorporated Harrisburg, PA 17105-3608	
NAME AMPSULATION HWP31, HST WITHOUT SEALANT .750 INCHES DIAMETER	
SIZE B	CAGE CODE 00779
DRAWING NO C-53701	
SCALE -	SHEET 1 OF 1

THIS DRAWING IS A CONTROLLED DOCUMENT FOR AMP INCORPORATED. IT IS SUBJECT TO CHANGE AND THE CONTROLLING ENGINEERING ORGANIZATION SHOULD BE CONTACTED FOR THE LATEST REVISION.