



Chipsmall Limited consists of a professional team with an average of over 10 year of expertise in the distribution of electronic components. Based in Hongkong, we have already established firm and mutual-benefit business relationships with customers from,Europe,America and south Asia,supplying obsolete and hard-to-find components to meet their specific needs.

With the principle of “Quality Parts,Customers Priority,Honest Operation,and Considerate Service”,our business mainly focus on the distribution of electronic components. Line cards we deal with include Microchip,ALPS,ROHM,Xilinx,Pulse,ON,Everlight and Freescale. Main products comprise IC,Modules,Potentiometer,IC Socket,Relay,Connector.Our parts cover such applications as commercial,industrial, and automotives areas.

We are looking forward to setting up business relationship with you and hope to provide you with the best service and solution. Let us make a better world for our industry!



Contact us

Tel: +86-755-8981 8866 Fax: +86-755-8427 6832

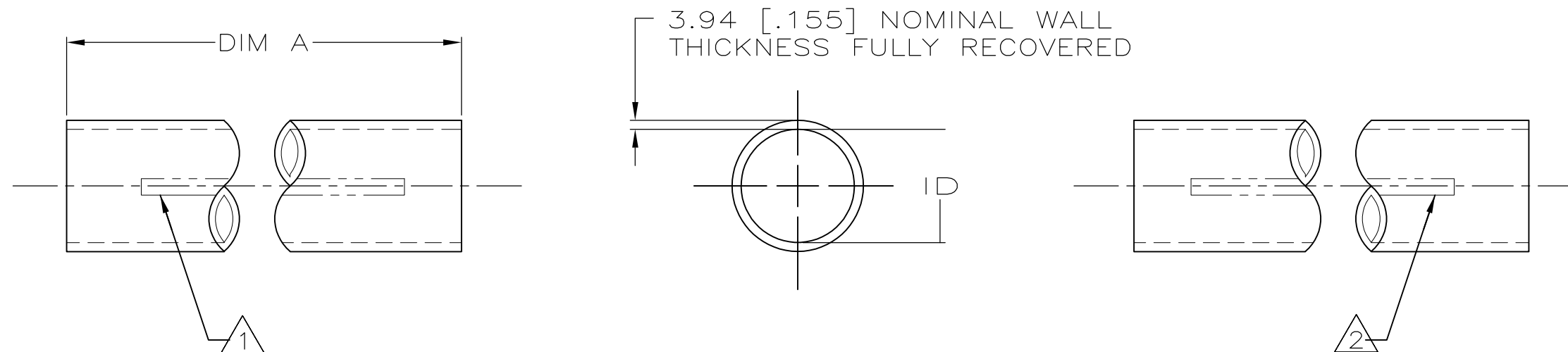
Email & Skype: info@chipsmall.com Web: www.chipsmall.com

Address: A1208, Overseas Decoration Building, #122 Zhenhua RD., Futian, Shenzhen, China



THIS DRAWING IS UNPUBLISHED. RELEASED FOR PUBLICATION, 19
 © COPYRIGHT 19 BY AMP INCORPORATED. ALL INTERNATIONAL RIGHTS RESERVED.

LOC	DIST	P	F	ZONE	LTR	DESCRIPTION	DATE	APPD
FI	25				S	REV; EC 0N20-0057-97	16SEP97	DS EH
					S1	REVISED PER ECO-09-020774	25AUG09	KK AEG



50.80 [2.000] MINIMUM EXPANDED
 19.05 [.750] MAXIMUM RECOVERED

1 PRODUCT MARKED WITH AMP, AND DATE CODE WITH 6.35 [.25] HIGH CHARACTERS USING WHITE INK LOCATED ALONG THIS SURFACE. REPEAT EVERY 203.2 [8.0] INCHES.

2 PRODUCT MARKED 2.000 - .750/ 50.8mm - 19mm WITH 6.35 [.25] HIGH CHARACTERS USING WHITE INK LOCATED ALONG THIS SURFACE. REPEATED EVERY 203.2 [8.0] INCHES.

3 WEIGHT PER LINEAR FOOT: 131.5 GRAMS/ .29 POUNDS.

4 OBSOLETE PARTS: OBSOLETE CIS STREAMLINING PER D.RENAUD/D.SINISI

4	OBSOLETE	304.8 ±4.8 [12.00 ±.19]	53704-4
		7696.20 - 7620.00 [303.00 - 300.00]	53704-2
		1244.6 - 1219.2 [49.00 - 48.00]	53704-1
		DIM A	PART NO

DO NOT SCALE PRINT. UNLESS SPECIFIED DIMENSIONS IN mm [INCHES] TOLERANCES ON: 2 PLC DEC ± - 3 PLC DEC ± - ANGLES ± -	DR 1-21-94 W CHANDLER
	CHK 2-14-94 D KAAT
	APPD -
	APPD -
MATERIAL BLACK POLYOLEFIN	PRODUCT SPEC -
FINISH -	APPLICATION SPEC -
	WEIGHT 3

AMP AMP Incorporated Harrisburg, PA 17105-3608		
NAME AMPSULATION HWP31, HST WITHOUT SEALANT 2.000 INCHES DIAMETER		
SIZE B	CAGE CODE 00779	DRAWING NO C-53704
SCALE -	SHEET 1 OF 1	

THIS DRAWING IS A CONTROLLED DOCUMENT FOR AMP INCORPORATED. IT IS SUBJECT TO CHANGE AND THE CONTROLLING ENGINEERING ORGANIZATION SHOULD BE CONTACTED FOR THE LATEST REVISION.