



Chipsmall Limited consists of a professional team with an average of over 10 year of expertise in the distribution of electronic components. Based in Hongkong, we have already established firm and mutual-benefit business relationships with customers from,Europe,America and south Asia,supplying obsolete and hard-to-find components to meet their specific needs.

With the principle of “Quality Parts,Customers Priority,Honest Operation,and Considerate Service”,our business mainly focus on the distribution of electronic components. Line cards we deal with include Microchip,ALPS,ROHM,Xilinx,Pulse,ON,Everlight and Freescale. Main products comprise IC,Modules,Potentiometer,IC Socket,Relay,Connector.Our parts cover such applications as commercial,industrial, and automotives areas.

We are looking forward to setting up business relationship with you and hope to provide you with the best service and solution. Let us make a better world for our industry!



## Contact us

Tel: +86-755-8981 8866 Fax: +86-755-8427 6832

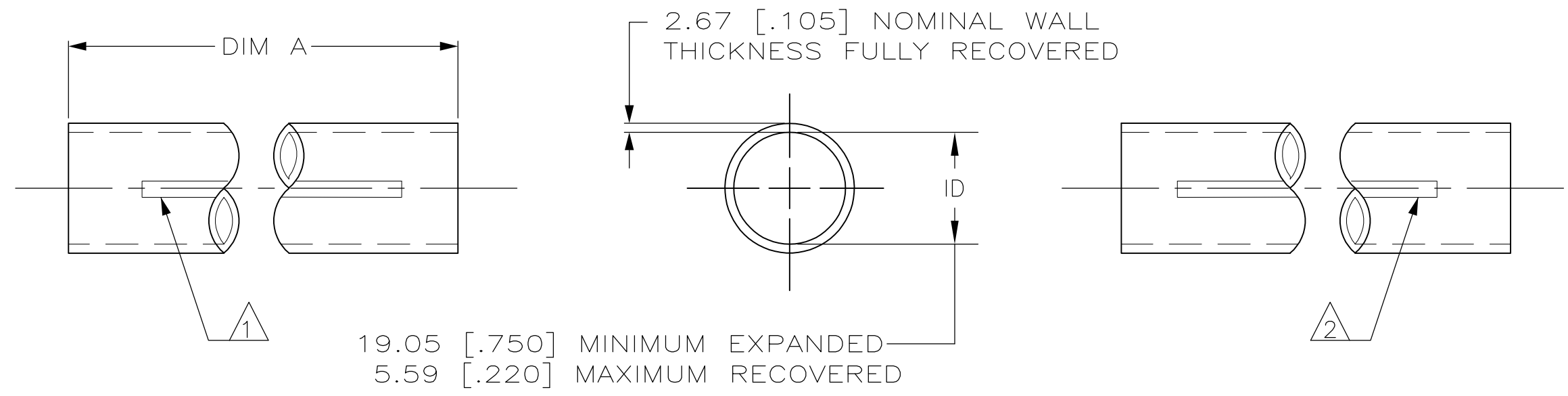
Email & Skype: info@chipsmall.com Web: www.chipsmall.com

Address: A1208, Overseas Decoration Building, #122 Zhenhua RD., Futian, Shenzhen, China



THIS DRAWING IS UNPUBLISHED. RELEASED FOR PUBLICATION .19  
 © COPYRIGHT 19 BY AMP INCORPORATED. ALL RIGHTS RESERVED.

LOC	DIST	REVISIONS			
P	LTR	DESCRIPTION	DATE	DWN	APVD
AA	25	M	ADD: 8/4; NPR C99-007	03FEB99	GG EH
		M1	REVISED PER ECO-09-020932	05SEP09	KK AEG



- 1 PRODUCT MARKED WITH AMP, AND DATE CODE WITH 6.35 [.25] HIGH CHARACTERS USING WHITE INK LOCATED ALONG THIS SURFACE. REPEATED EVERY 203.2 [8.0].
- 2 PRODUCT MARKED .750 - .220/ 19mm - 5.6mm WITH 6.35 [.25] HIGH CHARACTERS USING WHITE INK LOCATED ALONG THIS SURFACE. REPEATED EVERY 203.2 [8.0].
- 3 SEALANT APPLIED TO TUBING THROUGHOUT LENGTH.
- 4 DIMENSIONS SPECIFIED WITHOUT SEALANT.
- 5 KIT CONSISTING OF 1-53711-4, 25 PIECES.
- 6 WEIGHT PER LINEAR FOOT: 31.7 GRAMS/.07 POUND.
- 7 KIT CONSISTING OF 53711-3, 2 PIECES.
- 8 KIT CONSISTING OF 53711-1, 1000 PIECES.
- 9 OBSOLETE PARTS: OBSOLETE CIS STREAMLINING PER D.RENAUD/D.SINISI

	8	9	8-53711-4
	7	9	8-53711-3
304.8 ±4.8 [12.00 ±.19]			1-53711-4
1244.6 - 1219.2 [49.00 - 48.00]		9	1-53711-0
50.8 ±3.3 [2.00 ± .13]			53711-9
38.1 ±3.3 [1.50 ±.13]		9	53711-8
	5		53711-5
228.6 ±4.8 [9.00 ±.19]			53711-4
152.4 ±4.8 [6.00 ±.19]			53711-3
101.6 ±4.8 [4.00 ±.19]			53711-2
76.2 ±4.8 [3.00 ±.19]			53711-1

THIS DRAWING IS A CONTROLLED DOCUMENT.		DWN W CHANDLER 11FEB99	<b>AMP</b> AMP Incorporated Harrisburg PA 17105-3608	
DIMENSIONS: mm [INCHES]		CHK N JONES 3-31-94		
TOLERANCES UNLESS OTHERWISE SPECIFIED:		APVD D. KAAT 3-31-94	NAME AMPSULATION HWP31, HST, WITH SEALANT, .750 INCHES DIAMETER	
0 PLC ± -		PRODUCT SPEC	SIZE	
1 PLC ± -			CAGE CODE	
2 PLC ± -		APPLICATION SPEC	DRAWING NO	
3 PLC ± -			RESTRICTED TO	
4 PLC ± -		WEIGHT	A3 00779 C-53711	
ANGLES ± -			SCALE NTS SHEET 1 OF 1 REV M1	
FINISH		CUSTOMER DRAWING		