



Chipsmall Limited consists of a professional team with an average of over 10 year of expertise in the distribution of electronic components. Based in Hongkong, we have already established firm and mutual-benefit business relationships with customers from,Europe,America and south Asia,supplying obsolete and hard-to-find components to meet their specific needs.

With the principle of "Quality Parts,Customers Priority,Honest Operation,and Considerate Service",our business mainly focus on the distribution of electronic components. Line cards we deal with include Microchip,ALPS,ROHM,Xilinx,Pulse,ON,Everlight and Freescale. Main products comprise IC,Modules,Potentiometer,IC Socket,Relay,Connector.Our parts cover such applications as commercial,industrial, and automotives areas.

We are looking forward to setting up business relationship with you and hope to provide you with the best service and solution. Let us make a better world for our industry!



## Contact us

Tel: +86-755-8981 8866 Fax: +86-755-8427 6832

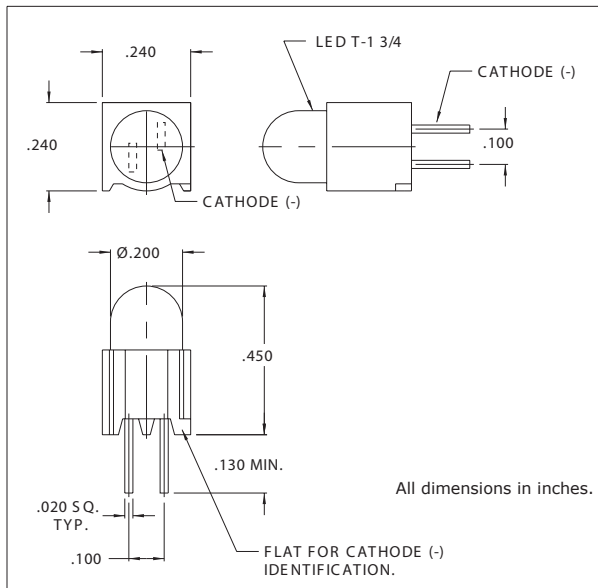
Email & Skype: info@chipsmall.com Web: www.chipsmall.com

Address: A1208, Overseas Decoration Building, #122 Zhenhua RD., Futian, Shenzhen, China



## 5381 Series T-1 3/4 Vertical LED Assembly

### Description and Features



#### Features

- Blockmounting, low profile design, height & space alignment-saves assembly costs.
- SuperBriteLEDs
- Standoffs prevent flux entrapment.
- Low current-only 2mA needed.
- Built-in resistor chip-operates directly off 5 Volt supply without external resistor.

Housing: BlackNylon,UL94V-O

Note: Alternate LEDs are also available in this package as a standard variation.

Refer to "Mounting Hole Pattern 2.pdf"

## Electro-Optical Characteristics and Ratings

PartNumber	Emitted Color	Typical Intensity (mcd)	Rated Current (mA)	Continuous Forward CurrentMax. (mA)	ForwardVoltage		PeakForward Current@ 1ms-300PPS (A)	Reverse Breakdown VoltageMin. (V)	Peak Wavelength (nm)
					Typ. (V)	Max. (V)			
5381H1	Red	6.3	10	60	2.0	3.0	1.0	5	650
5381H3	Amber	10	10	60	2.0	3.0	1.0	5	608
5381H5	Green	10	10	60	2.2	3.0	.09	5	563
5381H7	Yellow	10	10	60	2.1	3.0	1.0	5	585
5381H1LC	Red	2.3	2.0	7	1.8	2.2	.007	5	635
5381H5LC	Green	2.3	2.0	7	1.8	2.2	.007	5	565
5381H7LC	Yellow	2.1	2.0	7	1.9	2.7	.007	5	583
5381H1-5V	Red	8	10	15	5	7.5	-	5	635
5381H3-5V	Amber	8	10	15	5	7.5	-	5	583
5381H3-5V	Green	8	10	15	5	7.5	-	5	565