



Chipsmall Limited consists of a professional team with an average of over 10 year of expertise in the distribution of electronic components. Based in Hongkong, we have already established firm and mutual-benefit business relationships with customers from,Europe,America and south Asia,supplying obsolete and hard-to-find components to meet their specific needs.

With the principle of "Quality Parts,Customers Priority,Honest Operation,and Considerate Service",our business mainly focus on the distribution of electronic components. Line cards we deal with include Microchip,ALPS,ROHM,Xilinx,Pulse,ON,Everlight and Freescale. Main products comprise IC,Modules,Potentiometer,IC Socket,Relay,Connector.Our parts cover such applications as commercial,industrial, and automotives areas.

We are looking forward to setting up business relationship with you and hope to provide you with the best service and solution. Let us make a better world for our industry!



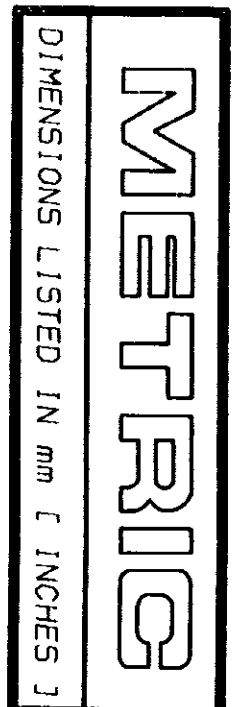
Contact us

Tel: +86-755-8981 8866 Fax: +86-755-8427 6832

Email & Skype: info@chipsmall.com Web: www.chipsmall.com

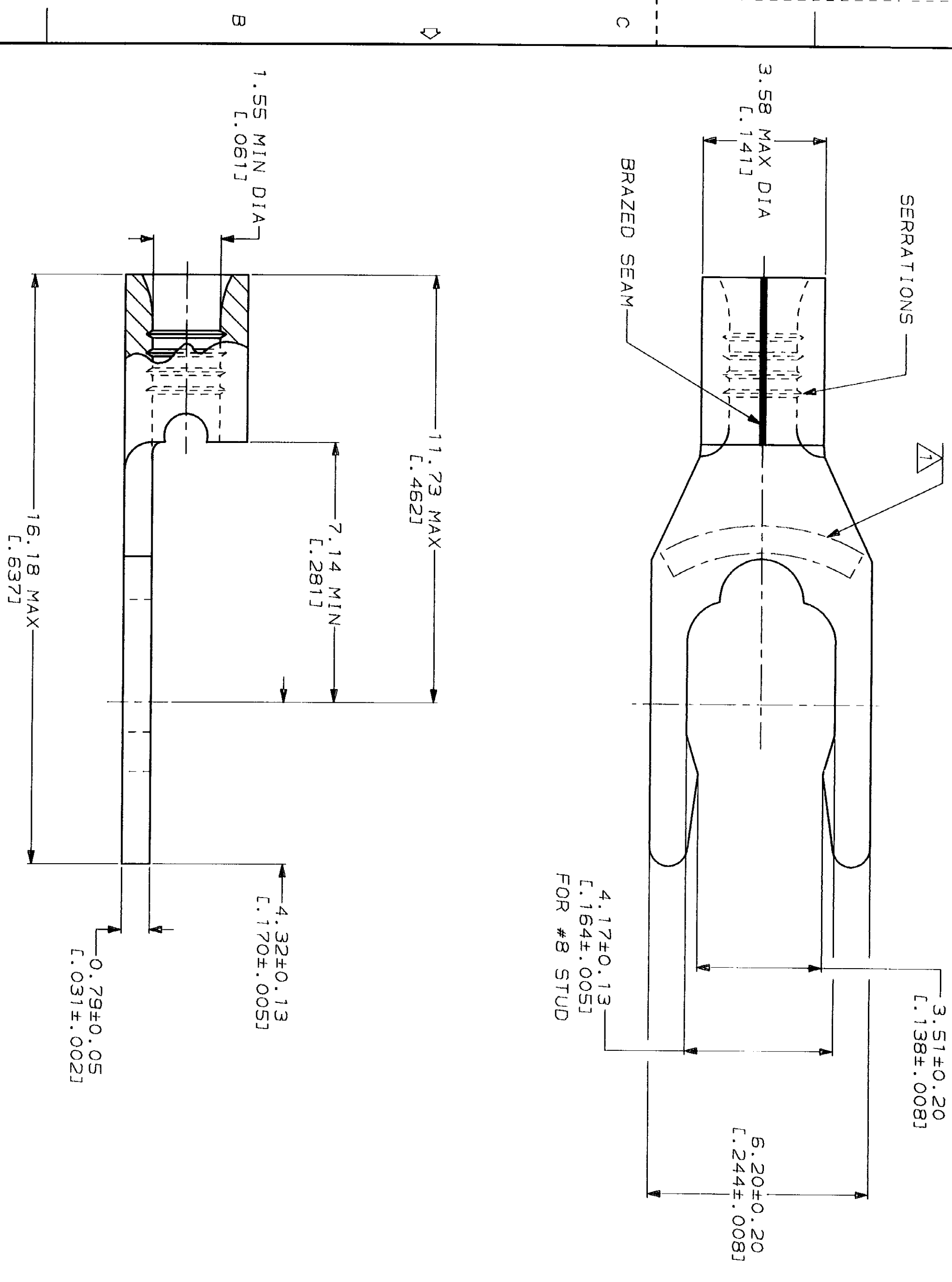
Address: A1208, Overseas Decoration Building, #122 Zhenhua RD., Futian, Shenzhen, China





AMP WIRE RANGE		E13288 Listed
22-16 AWG SOLID OR STRANDED	22-16 AWG SOLID OR STRANDED	
LR7189 Certified	MILITARY P/N AND CLASS	
22-16 AWG SOLID OR STRANDED	NOT APPLICABLE	

STAMP 85 AMP 22-16* APPROX AS SHOWN
 22-16 TERMINALS ARE STAMPED 22-18 IN
 ACCORDANCE WITH MILITARY SPECIFICATION
 MIL-T-7928, COMMERCIAL WIRE RANGE IS 22-16
 85 INDICATES STUD SIZE



AMP INCORPORATED CUSTOMER SERVICE SYSTEMS		MAX RECOMMENDED OPERATING TEMPERATURE: 170°C MAX
FOR ADDITIONAL PRODUCT INFORMATION OR COPIES OF DRAWINGS AND TECHNICAL DOCUMENTS	PRODUCT INFORMATION CENTER 1-800-522-6752	VOLTAGE RATING: NOT APPLICABLE
FOR APPLICATION TOOLING INFORMATION	TOOLING ASSISTANCE CENTER 1-800-722-1111	WIRE CROSS SECTIONAL AREA RANGE: 0.26-1.65mm ² (509-3,2601 CIR MILS SOLID OR STRANDED)
FOR ORDER ENTRY	1-800-526-5142	FINISH T1N PLATE 0.00254 [L.000100] MIN THK PER MIL-T-10727

DO NOT SCALE PRINT. UNLESS SPECIFIED DIMENSIONS IN mm - (INCHES) TOLERANCES ON: 1. DIMENSIONS IN mm 2. PLG DEC # 3. PLG DEC # ANGLES	DR 3-29-93 TA BRINKMAN CHK 3-29-93 DA PATTERSON APPD 3-29-93 DE MILLER APPD 3-29-93 JL MECKLEY PRODUCT SPEC
---	---

100	LOOSE PIECE, BOX	8-53831-1
5000	ON TAPE	53831-2
---	LOOSE PIECE	53831-1
QUANTITY	PACKAGING TYPE	PART NO

AMP	AMP Incorporated Harrisburg, PA 17105-3608
NAME	TERMINAL, SHORT SPRING SPADE, SOLISTRAND™
SIZE	CAGE CODE 00779 DRAWING NO G=53831
SCALE	SCALE 10:1 SHEET 1 OF 1