



Chipsmall Limited consists of a professional team with an average of over 10 year of expertise in the distribution of electronic components. Based in Hongkong, we have already established firm and mutual-benefit business relationships with customers from,Europe,America and south Asia,supplying obsolete and hard-to-find components to meet their specific needs.

With the principle of “Quality Parts,Customers Priority,Honest Operation,and Considerate Service”,our business mainly focus on the distribution of electronic components. Line cards we deal with include Microchip,ALPS,ROHM,Xilinx,Pulse,ON,Everlight and Freescale. Main products comprise IC,Modules,Potentiometer,IC Socket,Relay,Connector.Our parts cover such applications as commercial,industrial, and automotives areas.

We are looking forward to setting up business relationship with you and hope to provide you with the best service and solution. Let us make a better world for our industry!



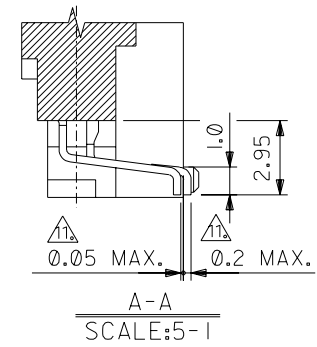
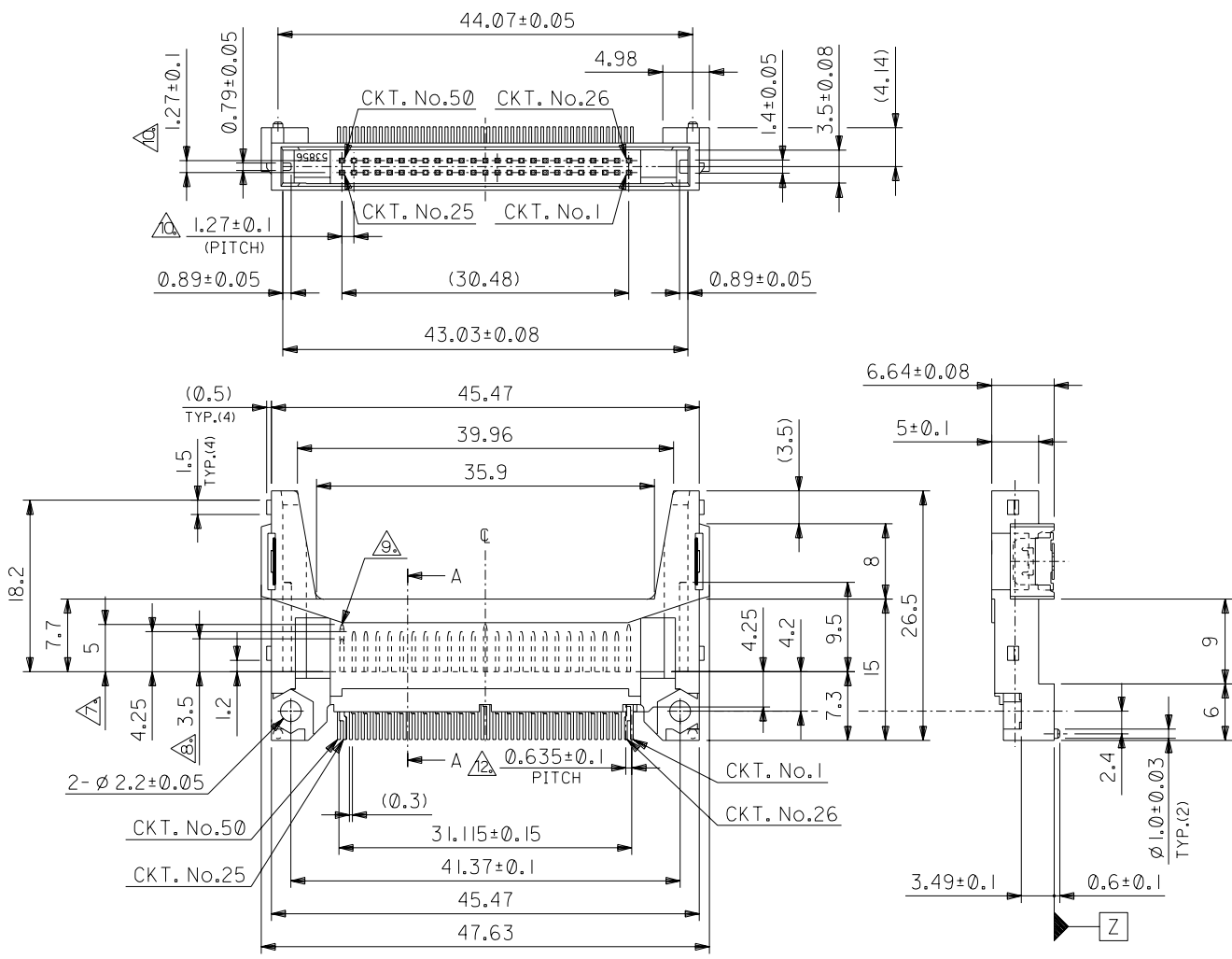
Contact us

Tel: +86-755-8981 8866 Fax: +86-755-8427 6832

Email & Skype: info@chipsmall.com Web: www.chipsmall.com

Address: A1208, Overseas Decoration Building, #122 Zhenhua RD., Futian, Shenzhen, China





BLACK	53856-5011	50
WHITE	53856-5010	50
HOUSING COLOR	ENG. No.	No. Of CKT.

DO NOT SCALE DRAWING

EC NO. DRWN: CHK: APPR:	EC NO. DRWN: CHK: APPR:	EC NO. DRWN: CHK: APPR:	EC NO. DRWN: CHK: APPR:
RELEASED	EC NO. JD2000-0925	DRWN: THANYU '00/03/0	CHK: MSASAO '00/03/0
		APPR: HIKESUGI '00/03/0	

MATERIAL 材料	SEE NOTES
FINISH 仕上り	SEE NOTES
WIRE RANGE 適用電線範囲	#
INS. RANGE 被覆外径	#

GENERAL TOLERANCES: (UNLESS SPECIFIED) 一般公差	SCALE 2 - 1	DESIGN UNITS <input checked="" type="checkbox"/> mm <input type="checkbox"/> INCH
10 UNDER 未満	±0.2	DRAWN BY & DATE T. Hamaya '00/03/10
10 OVER 30 UNDER 以上 未満	±0.25	CHECKED BY & DATE M. Sasao '00/03/10
30 OVER 以上	±0.3	APPROVED BY & DATE [Signature] '00/03/10
ANGLE 角度	±3°	CAD FILENAME SD-53856-002.S01

53856-501	MODEL No.	DIMENSIONS: <input type="checkbox"/> mm <input type="checkbox"/> INCH <input checked="" type="checkbox"/> mm ONLY	SHT	REV
		THIRD ANGLE PROJECTION		

TITLE: CF CARD CONN. 50P HEADER ASS'Y		
MOLEX INCORPORATED		
MATERIAL NO.	DRAWING NO.	SHEET NO.
SEE CHART	SD-53856-002	1 OF 2

THIS DRAWING CONTAINS INFORMATION THAT IS PROPRIETARY TO MOLEX INCORPORATED AND SHOULD NOT BE USED WITHOUT WRITTEN PERMISSION.

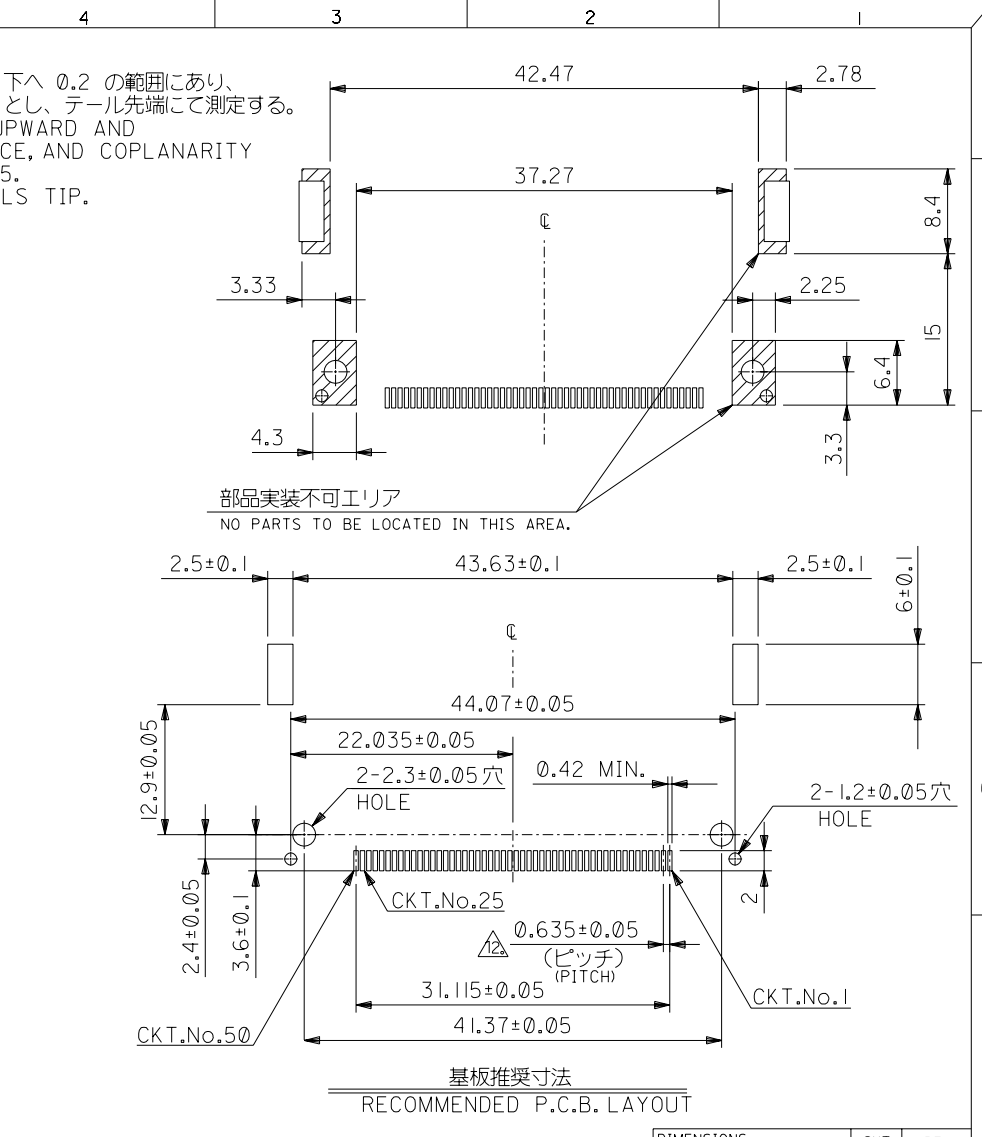
DWG. NO. SD-53856-002

DO NOT SCALE DRAWING

- 注) NOTES
- 材質 MATERIAL
ハウジング: ガラス入り LCP UL94V-0
HOUSING: LCP G.F. UL94V-0
ピン: リン青銅
PIN: PHOSPHOR BRONZE
メール: リン青銅
NAIL: PHOSPHOR BRONZE
 - メッキ仕様 PLATING
PIN 接点部: パラジウムニッケル下地、金メッキ
CONTACT AREA: Au OVER Pd-Ni
半田付け部: 半田メッキ
SOLDER TAIL AREA: TIN-LEAD
下地メッキ: ニッケルメッキ
UNDERPLATING: Ni OVER ALL
NAIL 半田メッキ
Sn-Pb
下地メッキ: 銅メッキ
UNDERPLATING: Cu OVER ALL
 - 推奨基板厚: $t \geq 0.8$ MIN.
RECOMMENDED P.C.B. THICKNESS: $t \geq 0.8$ MIN.
 - 適合カード厚 RECOMMENDED CARD THICKNESS
接続部: 3.3 ± 0.1
CONNECTING AREA: 3.3 ± 0.1
 - 適合カード幅: 42.8 ± 0.1
RECOMMENDED CARD WIDTH: 42.8 ± 0.1
 - ハウジング色: HOUSING COLOR:
53856-5010: 白 (WHITE)
53856-5010: 黒 (BLACK)
 - 寸法適用極: 1, 13, 38, 50
THIS DIMENSION APPLIES TO CIRCUIT NUMBERS 1, 13, 38 AND 50.
 - 寸法適用極: 25, 26
THIS DIMENSION APPLIES TO CIRCUIT NUMBERS 25 AND 26.
 - ピンの倒れは、ピン根元を基準に全方向へ 0.1 MAX. とする。
PIN TIP LEAN TOWARD ANY DIRECTION NOT TO EXCEED 0.1 WHEN MEASURED FROM PIN BASE.
 - ピン根元に適用する。
THIS DIMENSION TO BE MEASURED AT PIN BASE.

△ ソルダータールは、Z面を基準とし上へ 0.05 下へ 0.2 の範囲にあり、且つソルダータールの平坦度は、 0.15 MAX. とし、テール先端にて測定する。
SOLDERTAILS TO BE WITHIN 0.05 UPWARD AND 0.2 DOWNWARD FROM Z-DATUM PLACE, AND COPLANARITY OF SOLDERTAILS TO BE WITHIN 0.15 . MEASUREMENT POINT IS SOLDERTAILS TIP.

△ 公差非累積
NON-CUMULATIVE



EC NO. DRAWN: CHK: APPR:	EC NO. DRAWN: CHK: APPR:	EC NO. DRAWN: CHK: APPR:	EC NO. DRAWN: CHK: APPR:	EC NO. DRAWN: CHK: APPR:	EC NO. DRAWN: CHK: APPR:	REV	MATERIAL 材料	GENERAL TOLERANCES: (UNLESS SPECIFIED) 一般公差	SCALE 2-1	DESIGN UNITS <input checked="" type="checkbox"/> mm <input type="checkbox"/> INCH	THIRD ANGLE PROJECTION	DIMENSIONS: <input type="checkbox"/> mm <input type="checkbox"/> INCH <input checked="" type="checkbox"/> mm ONLY	SHT	REV
							FINISH 仕上げ	10 UNDER 未満 ±0.2	DRAWN BY & DATE T. Hamano '00/03/10	TITLE: CF CARD CONN. 50P HEADER ASS'Y				
							WIRE RANGE 適用電線範囲	10 OVER 30 UNDER 未満 ±0.25	CHECKED BY & DATE M. Sasao '00/03/10	MOLEX INCORPORATED				
							INS. RANGE 被覆外径	30 OVER 以上 ±0.3	APPROVED BY & DATE [Signature] '00/03/10	MATERIAL NO.	DRAWING NO.	SHEET NO.		
								ANGLE 角度	SD-53856-002.S02		THIS DRAWING CONTAINS INFORMATION THAT IS PROPRIETARY TO MOLEX INCORPORATED AND SHOULD NOT BE USED WITHOUT WRITTEN PERMISSION.		SIZE B	
8	7	6	5	4	3	2	EN-02J(097) MXJ-54							

SD-53856-002.S02