



Chipsmall Limited consists of a professional team with an average of over 10 year of expertise in the distribution of electronic components. Based in Hongkong, we have already established firm and mutual-benefit business relationships with customers from,Europe,America and south Asia,supplying obsolete and hard-to-find components to meet their specific needs.

With the principle of "Quality Parts,Customers Priority,Honest Operation,and Considerate Service",our business mainly focus on the distribution of electronic components. Line cards we deal with include Microchip,ALPS,ROHM,Xilinx,Pulse,ON,Everlight and Freescale. Main products comprise IC,Modules,Potentiometer,IC Socket,Relay,Connector.Our parts cover such applications as commercial,industrial, and automotives areas.

We are looking forward to setting up business relationship with you and hope to provide you with the best service and solution. Let us make a better world for our industry!



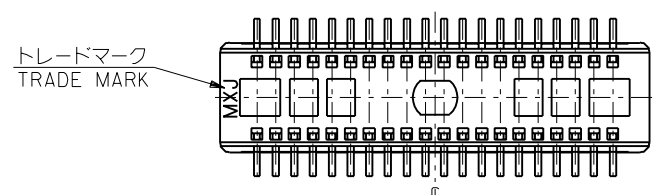
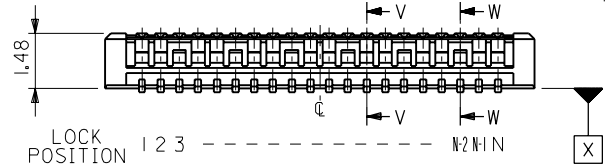
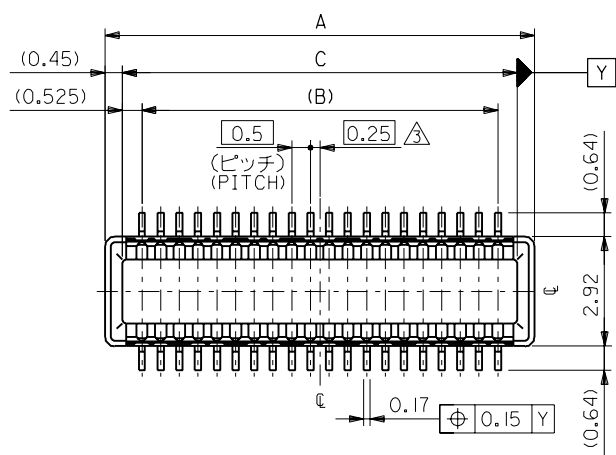
Contact us

Tel: +86-755-8981 8866 Fax: +86-755-8427 6832

Email & Skype: info@chipsmall.com Web: www.chipsmall.com

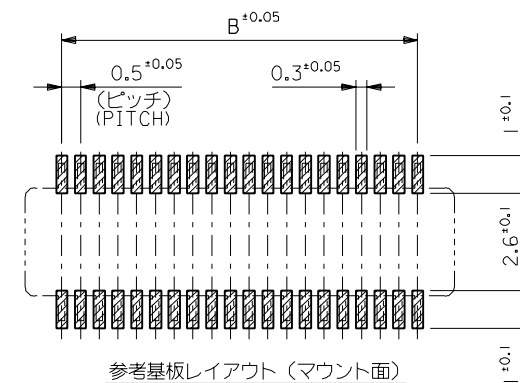
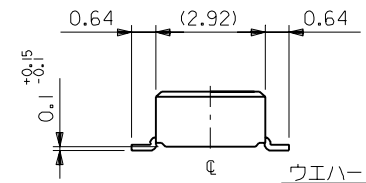
Address: A1208, Overseas Decoration Building, #122 Zhenhua RD., Futian, Shenzhen, China



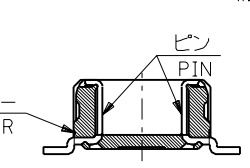


注記 NOTES:

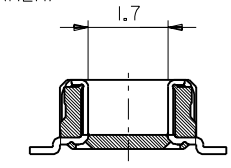
- 使用材料 MATERIAL
 ハウジング:液晶ポリマー。ガラス充填,UL94V-0,色:黒。 APPLY FOR (CIRCUIT/2)=EVEN.
 HOUSING:LCP, GLASS FILL, UL94V-0, COLOR:BLACK 4 嵌合相手:54102 シリーズ
 ターミナル:黄銅 (t=0.15) MATE WITH:54102 SERIES.
 TERMINAL:BRASS (t=0.15) 5 テール平坦度は、0.1MAX.
 TAIL COPLANARITY TO BE 0.1MAX.
- メッキ仕様 PLATING
 金メッキ 0.25 マイクロメートル以上 (コンタクト部)
 GOLD(AU) 0.25 MICROMETER MIN. (CONTACT AREA)
 金メッキ 0.4 マイクロメートル以下 (テール部)
 GOLD(AU) 0.4 MICROMETER MAX. (TAIL AREA)
 下地メッキ:ニッケルメッキ 1.5 マイクロメートル以上
 UNDER PLATING: NICKEL 1.5 MICROMETER MIN.



参考基板レイアウト (マウント面)
 RECOMMENDED P.C. BOARD
 PATTERN DIMENSION. (REF.)
 (MOUNTING AREA)



SECT. W-W (LOCK PART)
 (SCALE 10:1)



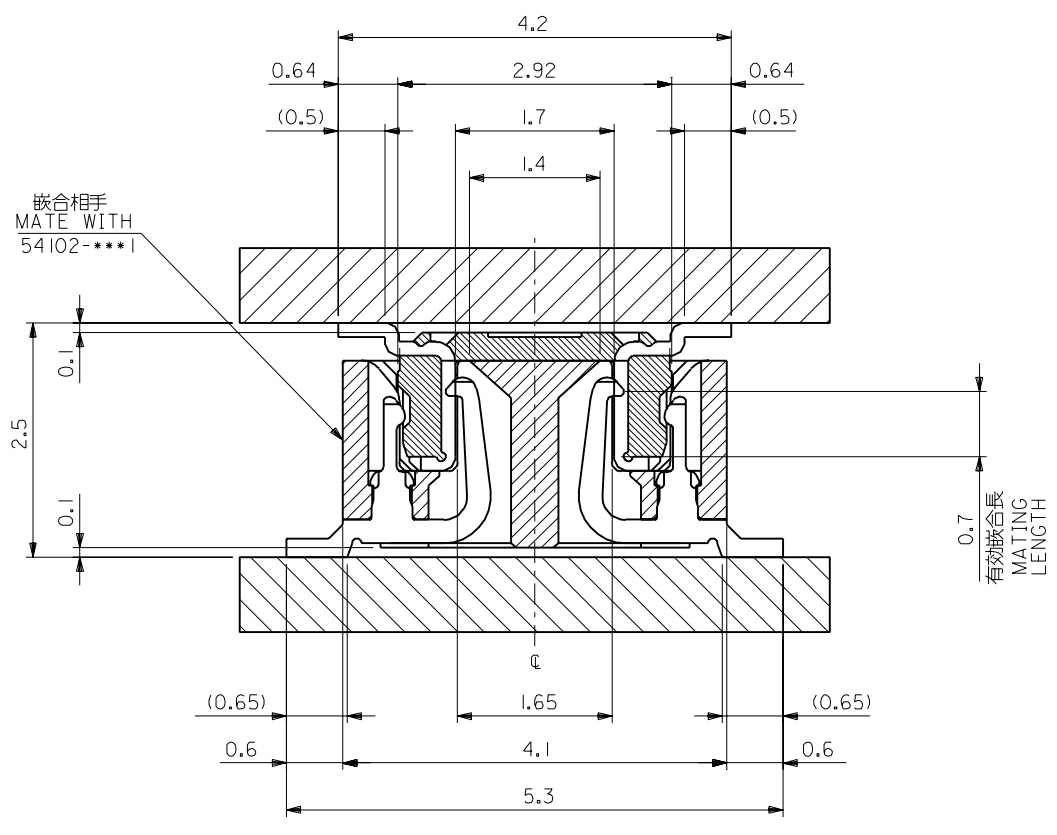
SECT. V-V (W/O LOCK PART)
 (SCALE 10:1)

| | | | | | |
|--------------------|-------|------|-------|------------|------|
| NONE | 20.55 | 19.5 | 21.45 | 53885-0801 | 80 |
| | 18.05 | 17.0 | 18.95 | 53885-0701 | 70 |
| 10,21 | 15.55 | 14.5 | 16.45 | 53885-0601 | 60 |
| 4,10,16,22 | 13.05 | 12.0 | 13.95 | 53885-0501 | 50 |
| 3,6,9,12,15,18 | 10.55 | 9.5 | 11.45 | 53885-0401 | 40 |
| 1,3,5,7,9,11,13,15 | 8.05 | 7.0 | 8.95 | 53885-0301 | 30 |
| ALL | 5.55 | 4.5 | 6.45 | 53885-0201 | 20 |
| LOCK POSITION | C | B | A | ENG. NO. | CKT. |

| | | | | | |
|-----------------------|--------|----------------------|----------|---------|--|
| 角度 ANGLE | +3° | | | | |
| 30°以上 OVER | +0.3 | | | | |
| 10°以上 30°未満 | +0.25 | | | | |
| 10°未満 | +0.2 | | | | |
| 公差 GENERAL TOLERANCES | 記号 LTR | 変更内容 REVISION RECORD | DR. CHK. | 日付 DATE | |

| | |
|------------------------------|------------------------|
| 材料 MATERIAL | 注記参照 SEE NOTES |
| 仕上げ FINISH | — / — |
| 適用電線範囲 WIRE RANGE | — / — |
| 被覆外径 INS. RANGE | — / — |
| DRAWN BY '96/9/5 T.NIITSU | CHK'D BY '00/8/3 T.ITO |
| APP'D BY '00/8/3 M.FUKUSHIMA | 尺度 SCALE — / — |

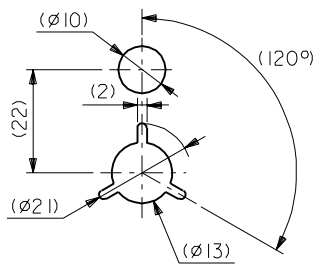
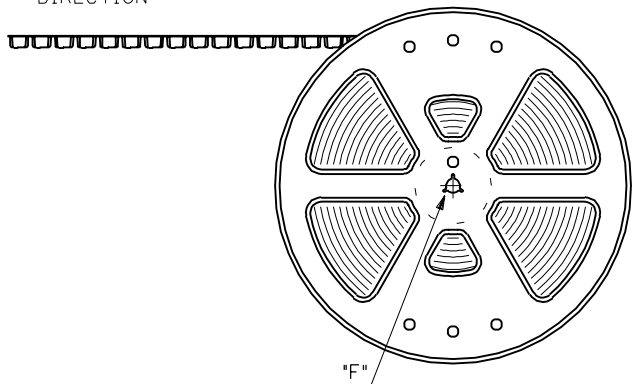
| | |
|---|-----|
| molex MOLEX-JAPAN CO.,LTD. 日本モレックス株式会社 | |
| REVISE ONLY ON CAD SYSTEM | |
| TITLE 名称 | |
| 0.5 BOARD TO BOARD Conn PLUG Hgt=2.5mm | |
| DWG. NO. (SHEET 1 OF 2) | REV |
| SD-53885-***I | D |



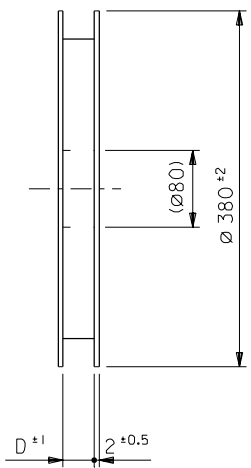
嵌合断面図 (参考)
MATED DRAWING (REF.)

| | | | | | | | | | |
|---|--|--|--|---|--|---|--|--|--|
| 角度 ANGLE 30°以上 OVER +0.3 10°以上 30°未満 UNDER +0.25 10°未満 UNDER +0.2 | | 記号 LTR 変更内容 REVISION RECORD DR. 日付 DATE CHK. | | 材料 MATERIAL SHEET 1 OF 2 参照 REFER TO SHEET 1 OF 2 仕上げ FINISH // 適用電線範囲 WIRE RANGE // 被覆外径 INS. RANGE // DRAWN BY '96/9/5 T.NIITSU APP'D BY '00/8/3 M.FUKUSHIMA | | 材料 MATERIAL SHEET 1 OF 2 参照 REFER TO SHEET 1 OF 2 仕上げ FINISH // 適用電線範囲 WIRE RANGE // 被覆外径 INS. RANGE // DRAWN BY '96/9/5 T.NIITSU APP'D BY '00/8/3 M.FUKUSHIMA | | モレックス MOLEX-JAPAN CO.,LTD. 日本モレックス株式会社 REVISE ONLY ON CAD SYSTEM TITLE 名称 0.5 BOARD TO BOARD Conn PLUG Hgt=2.5mm DWG. NO. (SHEET 2 OF 2) REV SD-53885-***1 D | |
|---|--|--|--|---|--|---|--|--|--|

引き出し方向
PULL OUT DIRECTION

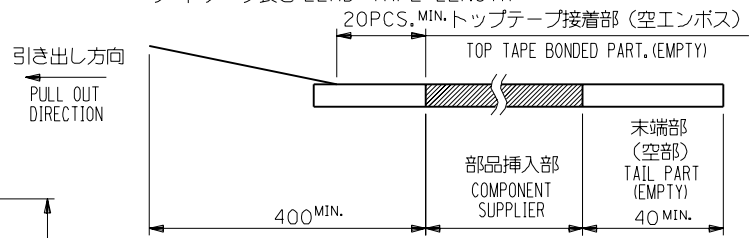


DETAIL "F"

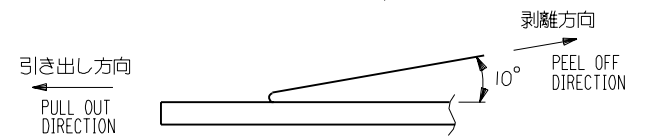


NOTES

- 製品詳細寸法については図面 SD-53885-****1 を参照下さい。
RE DETAILED DIMENSION, SEE SD-53885-****1
- 梱包数量：3000個/リール
NUMBER OF CONNECTORS：3000PCS/REEL
- リードテープ長さ LEAD TAPE LENGTH

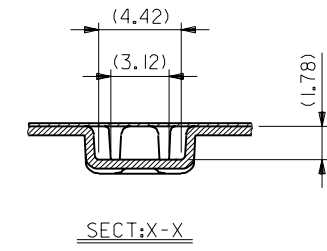
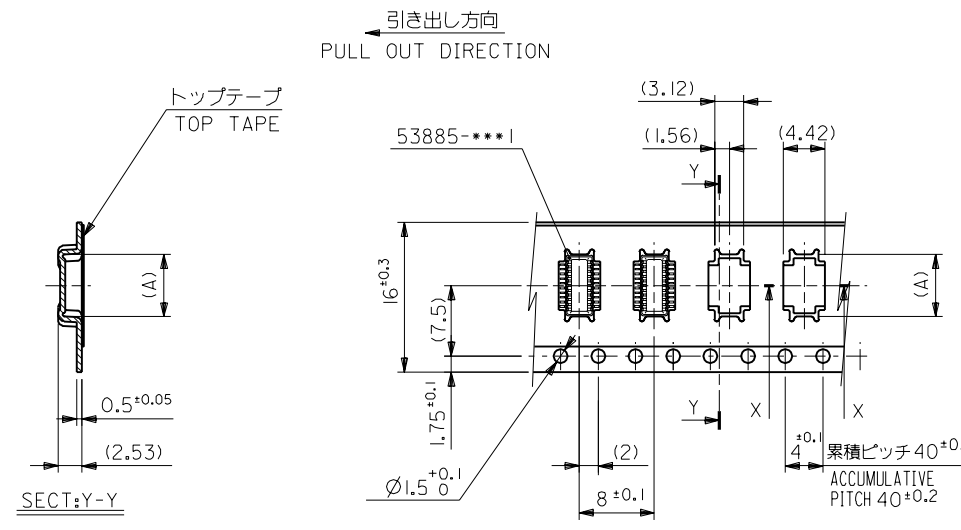


- トップテープの剥離強度：0.1N ~ 0.7N(10.2gf ~ 71.4gf)
(剥離方向は下図参照)
尚、本規格値は出荷時に適用。(但し、輸送時に剥離が発生しないこと。)
PEELING OFF FORCE OF TOP TAPE：0.1N ~ 0.7N(10.2gf ~ 71.4gf)
(PEELING DIRECTION AS SHOWN IN FOLLOWING FIG.)
THIS REQUIREMENT SHOULD BE APPLIED AT SHIPMENT.
PEEL OFF SHOULD NOT BE ALLOWED, DURING TRANSPORTATION.



- 材料(MATERIAL)
キャリアテープ(CARRIER TAPE)：ポリプロピレン(POLYPROPYLENE)
トップテープ(TOP TAPE)：PET, PE, PEF
リール(REEL)：ポリスチレン(P.S) <リサイクル材を含む>
POLYSTYRENE(PS) <RECYCLE MATERIAL CONTAINED>

| | | | | | | | |
|-------------------------|--|-------------|--|--------------------------|--|--|--|
| | | 材料 MATERIAL | | 注記参照 SEE NOTES | | molex MOLEX-JAPAN CO.,LTD. 日本モレックス株式会社 | |
| | | 仕上げ FINISH | | —#— | | REVISE ONLY ON CAD SYSTEM | |
| 角度 ANGLE | | +3° | | 適用電線範囲 WIRE RANGE | | TITLE 名称 | |
| 30以上 OVER | | +0.3 | | 被覆外径 INS. RANGE | | 0.5 BtB Conn Plug Assy Hgt±2.5 Embstp Pkg | |
| 10以上 30未満 UNDER | | +0.25 | | DRAWN BY 96/9/5 T.NIITSU | | DWG. NO. (SHEET 1 OF 4) REV | |
| 10未満 UNDER | | +0.2 | | CHK'D BY 00/12/6 T.IITO | | SD-53885-****8 D | |
| 一般公差 GENERAL TOLERANCES | | 記号 LTR | | 変更内容 REVISION RECORD | | DR. 日付 DATE | |
| | | | | | | | |

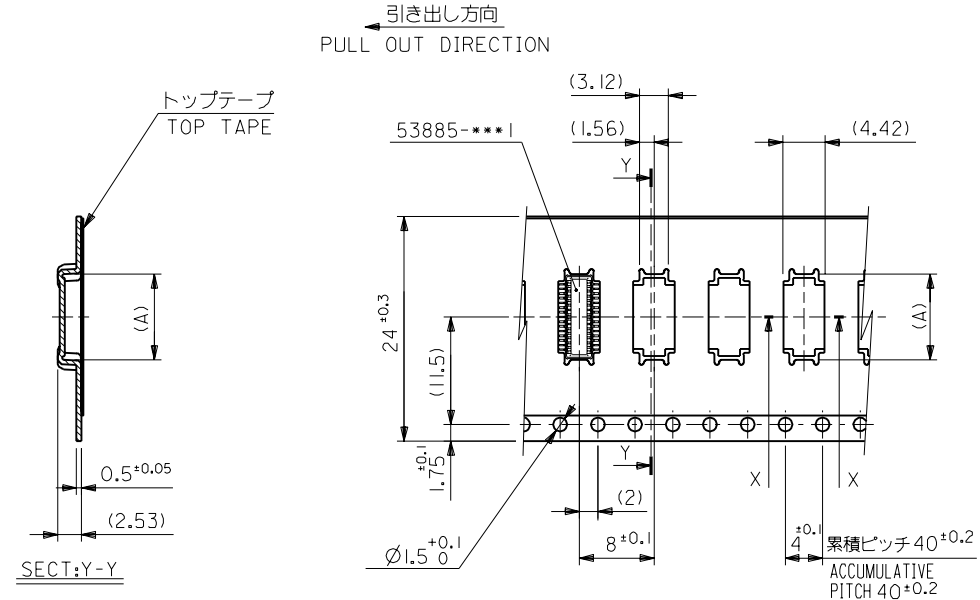


16mm幅キャリアテープ
16mm WIDTH CARRIER TAPE

| | | | | |
|--------------------------------|------|------|------------|------------|
| 16 | 17.5 | 6.65 | 53885-0208 | 20 |
| キャリアテープ幅 CARRIER TAPE WIDTH | D | (A) | ENG.NO. | 極致 CKT. |

| | | | |
|---|-----------------------------|--|-----|
| 材料 MATERIAL SHEET 1 OF 4 参照 REFER TO SHEET 1 OF 4 | | MOLEX MOLEX-JAPAN CO.,LTD. 日本モレックス株式会社 | |
| 仕上げ FINISH —#— | | REVISE ONLY ON CAD SYSTEM | |
| 適用電線範囲 WIRE RANGE —#— | | TITLE 名称 | |
| 被覆外径 INS. RANGE —#— | | 0.5 BtB Conn Plug Assy Hgt=2.5 Embstp Pkg | |
| DRAWN BY '00/12/6 T.NIITSU | CHK'D BY '00/12/6 T.IITO | DWG. NO. (SHEET 2 OF 4) | REV |
| APP'D BY '00/12/6 M.FUKUSHIMA | 尺 SCALE —#— | SD-53885-***8 | D |

| 角度 ANGLE | 公差 TOL | 記号 LTR | 変更内容 REVISION RECORD | DR. CHK. | 日付 DATE |
|-------------------------|--------|--------|----------------------|----------|----------|
| 30°以上 OVER | +0.3 | D | 変更 (JC2001-042) | K.K. | '00/12/6 |
| 10°以上 30°未満 OVER | +0.25 | C | 変更 (JC2000-0225) | M.H. | '99/9/30 |
| 10°未満 UNDER | +0.2 | B | 変更 (JC8002) | T.N. | '97/7/8 |
| 一般公差 GENERAL TOLERANCES | | A | 変更 (JC70445) | T.N. | '96/11/1 |

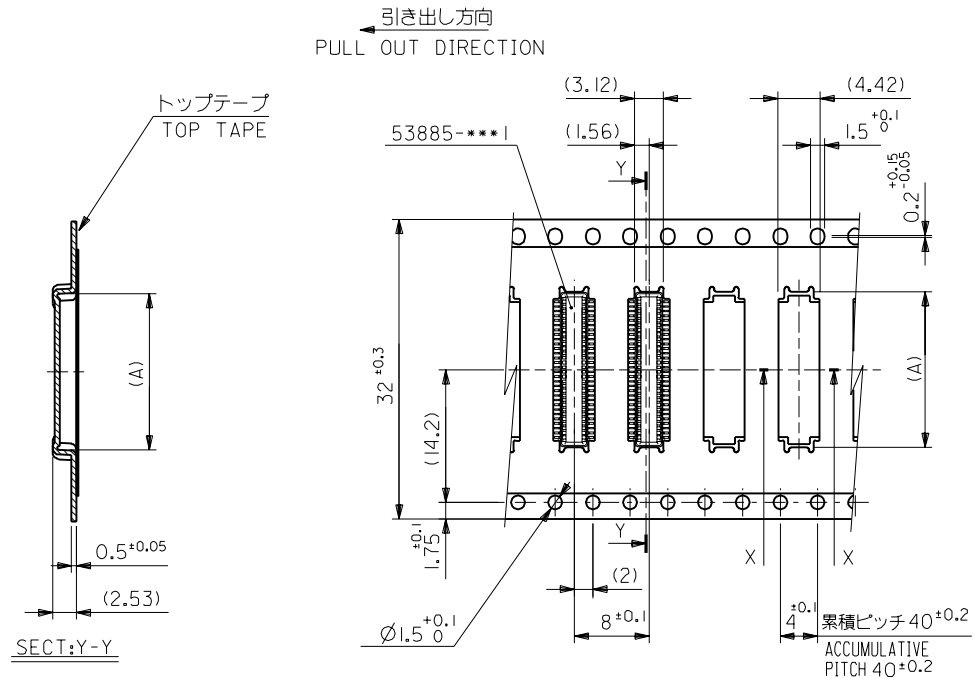


24mm幅キャリアテープ
24mm WIDTH CARRIER TAPE

| | | | | |
|--------------------------------|------|-------|------------|------------|
| 24 | 25.5 | 14.15 | 53885-0508 | 50 |
| | | 11.65 | 53885-0408 | 40 |
| | | 9.15 | 53885-0308 | 30 |
| キャリアテープ幅 CARRIER TAPE WIDTH | D | (A) | ENG.NO. | 極致 CKT. |

| | | | |
|---|-------|---------------------------------|-------------------------|
| 材料 MATERIAL SHEET 1 OF 4 参照 REFER TO SHEET 1 OF 4 | | 仕上げ FINISH —#— | |
| D 変更 (JC2001-042) 1.0 00/12/6 | | 適用電線範囲 WIRE RANGE —#— | |
| C 変更 (JC2000-0225) 1.0 99/9/30 | | 被覆外径 INS. RANGE —#— | |
| B 変更 (JC8002) 1.0 97/7/8 | | DRAWN BY 96/9/5 T.NIITSU | |
| A 変更 (JC70445) 1.0 96/11/1 | | CHK'D BY 00/12/6 T.IITO | |
| O 新規作成 (JC70278) 1.0 96/9/5 | | APP'D BY 00/12/6 M.FUKUSHIMA | |
| 一般公差 GENERAL TOLERANCES | | 尺度 SCALE —#— | |
| 角度 ANGLE | ±3° | 記号 LTR | 変更内容 REVISION RECORD |
| 30以上 OVER | +0.3 | DR | 日付 DATE |
| 10以上 30未満 OVER UNDER | +0.25 | CHK | |
| 10未満 UNDER | +0.2 | | |

| | |
|--|--------------------|
| MOLEX JAPAN CO.,LTD. 日本モレックス株式会社 | |
| REVISE ONLY ON CAD SYSTEM | |
| TITLE 名称 0.5 BtB Conn Plug Assy Hgt=2.5 Embstp Pkg | |
| DWG. NO. | (SHEET 3 OF 4) REV |
| SD-53885-****8 | D |



32mm幅キャリアテープ
32mm WIDTH CARRIER TAPE

| | | | | |
|--------------------------------|------|-------|------------|------------|
| 32 | 33.5 | 19.15 | 53885-0708 | 70 |
| キャリアテープ幅 CARRIER TAPE WIDTH | D | (A) | ENG.NO. | 極致 CKT. |
| | | 16.65 | 53885-0608 | 60 |

| | | | | | | | |
|----------------------------|-------|-----------------------------------|-------------|------------|----------------------------------|--------------------------|--|
| 角度 ANGLE | | ±3° | | | | | 材料 MATERIAL SHEET 1 OF 4 参照 REFER TO SHEET 1 OF 4 |
| 30以上 OVER | +0.5 | D 変更 REVISED (JC2001-0421) | M.H.T.S | 00/12/6 | | | MOLEX-JAPAN CO.,LTD. 日本モレックス株式会社 REVISE ONLY ON CAD SYSTEM TITLE 名称 0.5 BtB Conn Plug Assy Hgt=2.5 Embstp Pkg |
| 10以上 30未満 OVER UNDER | +0.25 | C 変更 REVISED (JC2000-0225) | M.H.T.S | 99/9/30 | | 仕上げ FINISH —#— | |
| 10未満 UNDER | +0.2 | B 変更 REVISED (JC80021) | M.H.T.S | 97/7/8 | | 適用電線範囲 WIRE RANGE —#— | |
| 一般公差 GENERAL TOLERANCES | | 記号 LTR 変更内容 REVISION RECORD | DR. CHK. | 日付 DATE | APP'D BY '00/12/6 M.FUKUSHIMA | 尺度 SCALE —#— | |

| | | |
|---------------|----------------|-----|
| DWG. NO. | (SHEET 4 OF 4) | REV |
| SD-53885-***8 | | D |