



Chipsmall Limited consists of a professional team with an average of over 10 year of expertise in the distribution of electronic components. Based in Hongkong, we have already established firm and mutual-benefit business relationships with customers from,Europe,America and south Asia,supplying obsolete and hard-to-find components to meet their specific needs.

With the principle of “Quality Parts,Customers Priority,Honest Operation,and Considerate Service”,our business mainly focus on the distribution of electronic components. Line cards we deal with include Microchip,ALPS,ROHM,Xilinx,Pulse,ON,Everlight and Freescale. Main products comprise IC,Modules,Potentiometer,IC Socket,Relay,Connector.Our parts cover such applications as commercial,industrial, and automotives areas.

We are looking forward to setting up business relationship with you and hope to provide you with the best service and solution. Let us make a better world for our industry!



Contact us

Tel: +86-755-8981 8866 Fax: +86-755-8427 6832

Email & Skype: info@chipsmall.com Web: www.chipsmall.com

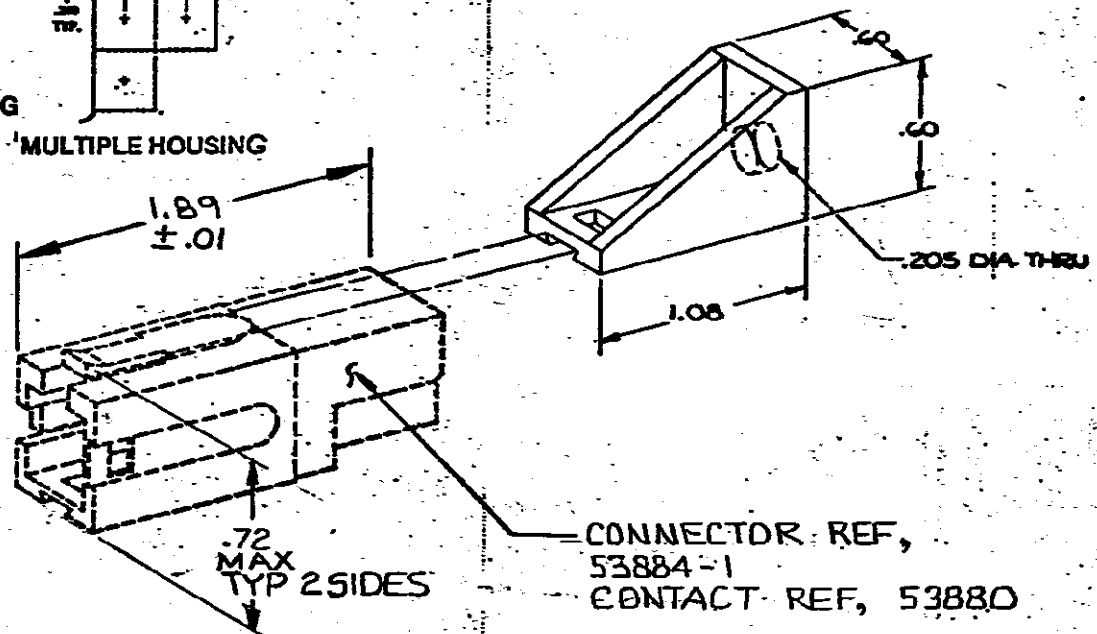
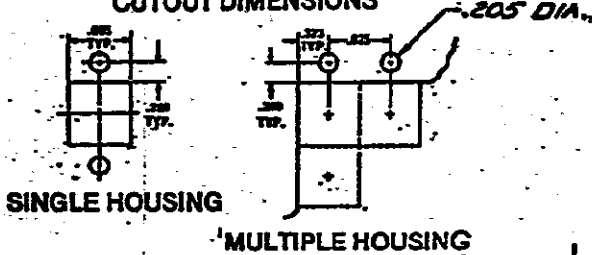
Address: A1208, Overseas Decoration Building, #122 Zhenhua RD., Futian, Shenzhen, China



REVISIONS			
LTR	DESCRIPTION	DATE	APPROVED
L1	REVISED PER ECO-11-005294	12APR11	HMR

53886

***RECOMMENDED PANEL CUTOUT DIMENSIONS**



NOTE:

1. MUST BE USED WITH MALE MOUNTING ADAPTER- P/N 53887-1
2. ONE EACH MINIMUM OF THE MALE & FEMALE MOUNTING ADAPTERS ARE RECOMMENDED FOR ATTACHING SINGLE AND MULTIPLE HOUSINGS.

CONNECTOR REF, 53884-1
CONTACT REF, 53880

53886-1
PART NO

UNLESS OTHERWISE SPECIFIED DIMENSIONS ARE IN INCHES. TOLERANCES ON: DECIMALS ±.010 ANGLES ± 5°	CONTRACT NO	TE Connectivity		
	DR <i>W. Miller</i> 1-29-75			
	CHK <i>W. Shockey</i> 1-29-75	NAME	MOUNTING ADAPTER, FEMALE AMP POWER LOCK, SERIES 2	
	APPD <i>D.R. Hooper</i> 1-29-75	SIZE	CODE IDENT NO	NUMBER
	APPD <i>D.W. ...</i> 1/29/75	A	00779	53886
FINISH	DSGN APPD <i>D.W. ...</i> 1-29-75	SCALE	SHEET 1 OF 1	
	OTHER APPD			