



Chipsmall Limited consists of a professional team with an average of over 10 year of expertise in the distribution of electronic components. Based in Hongkong, we have already established firm and mutual-benefit business relationships with customers from,Europe,America and south Asia,supplying obsolete and hard-to-find components to meet their specific needs.

With the principle of “Quality Parts,Customers Priority,Honest Operation,and Considerate Service”,our business mainly focus on the distribution of electronic components. Line cards we deal with include Microchip,ALPS,ROHM,Xilinx,Pulse,ON,Everlight and Freescale. Main products comprise IC,Modules,Potentiometer,IC Socket,Relay,Connector.Our parts cover such applications as commercial,industrial, and automotives areas.

We are looking forward to setting up business relationship with you and hope to provide you with the best service and solution. Let us make a better world for our industry!



Contact us

Tel: +86-755-8981 8866 Fax: +86-755-8427 6832

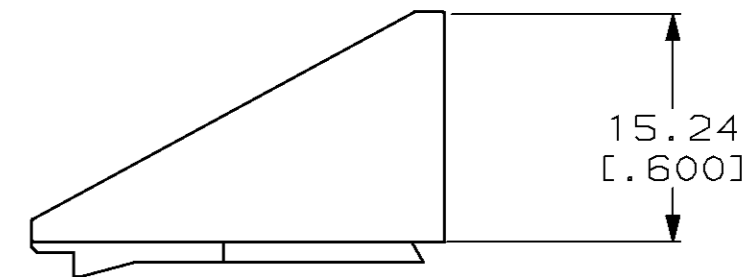
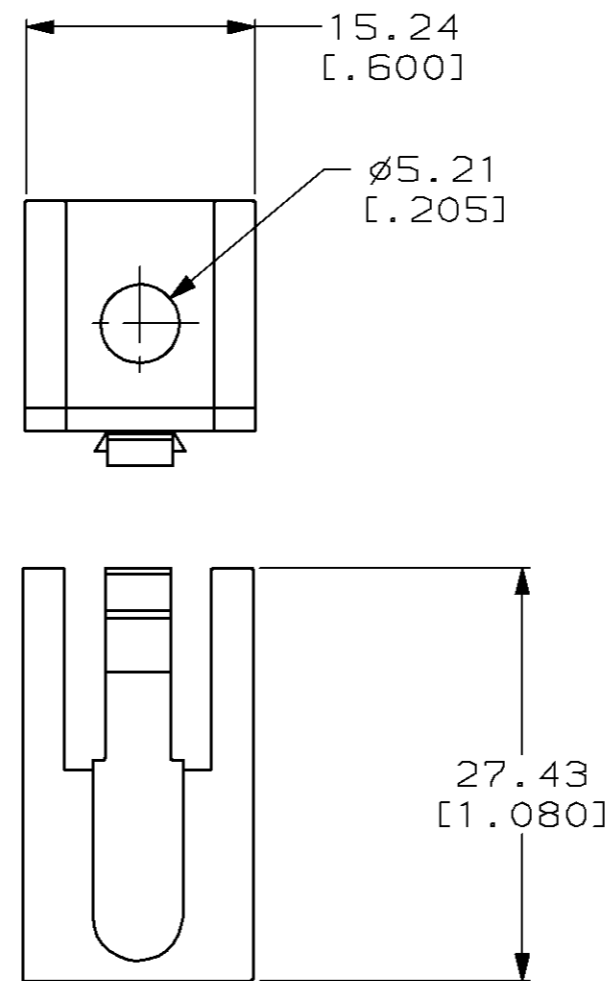
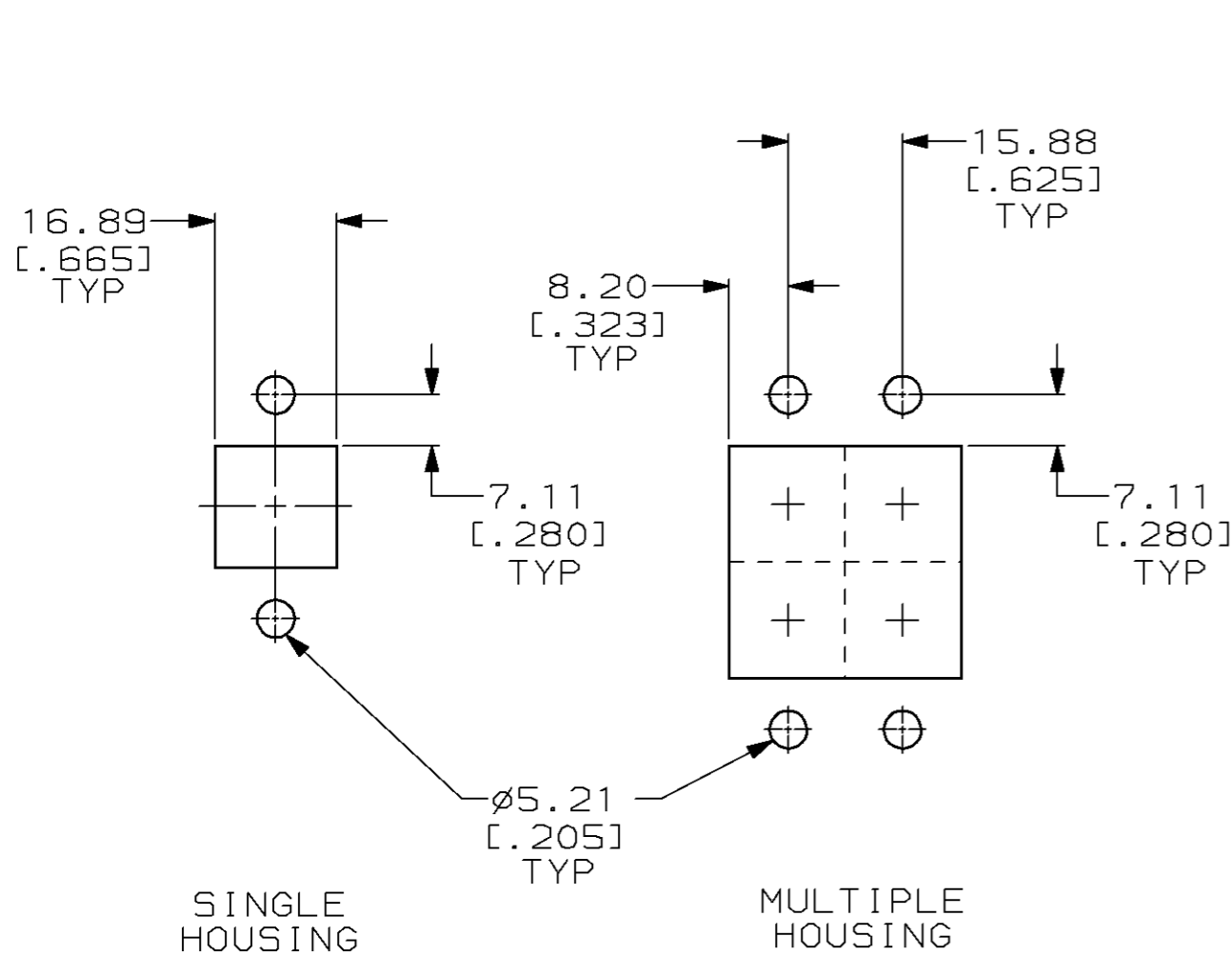
Email & Skype: info@chipsmall.com Web: www.chipsmall.com

Address: A1208, Overseas Decoration Building, #122 Zhenhua RD., Futian, Shenzhen, China



THIS DRAWING IS UNPUBLISHED. RELEASED FOR PUBLICATION, 19 .
 © COPYRIGHT 19 BY AMP INCORPORATED. ALL RIGHTS RESERVED.

LOC	DIST	REVISIONS			
P	LTR	DESCRIPTION	DATE	DWN	APVD
FT	60				
		D	REDRAWN AND REV PER EC 0320-74-97	07 APR 97	-



RECOMMENDED PANEL CUTOUT
SCALE 1:1

- MUST BE USED WITH FEMALE MOUNTING ADAPTER 53886-1.
- ONE EACH MINIMUM OF THE MALE & FEMALE MOUNTING ADAPTERS ARE RECOMMENDED FOR ATTACHING SINGLE AND MULTIPLE HOUSINGS.
- MALE MOUNTING ADAPTER TO BE USED WITH CONNECTOR 53884.

53887-1
PART NUMBER

THIS DRAWING IS A CONTROLLED DOCUMENT.		DWN M. BINNER 07 APR 97	AMP AMP Incorporated Harrisburg, PA 17105-3608	
		CHK R. STONE 24 APR 97		
DIMENSIONS: mm [INCHES]		APVD M. MCALONIS 22 MAY 97	NAME MOUNTING ADAPTER, MALE, SERIES 2, POWER LOCK	
TOLERANCES UNLESS OTHERWISE SPECIFIED:		PRODUCT SPEC 108-11043	RESTRICTED TO	
0 PLC ±-		APPLICATION SPEC 114-6032	SIZE A3	CAGE CODE 00779
1 PLC ±-		WEIGHT -	DRAWING NO C-53887	REV D
2 PLC ±0.25 [.010]		CUSTOMER DRAWING		
3 PLC ±-		SCALE 2:1	SHEET 1 OF 1	
4 PLC ±-				
ANGLES ±-				
MATERIAL POLYCARBONATE, BLUE				
FINISH -				