



Chipsmall Limited consists of a professional team with an average of over 10 year of expertise in the distribution of electronic components. Based in Hongkong, we have already established firm and mutual-benefit business relationships with customers from,Europe,America and south Asia,supplying obsolete and hard-to-find components to meet their specific needs.

With the principle of "Quality Parts,Customers Priority,Honest Operation,and Considerate Service",our business mainly focus on the distribution of electronic components. Line cards we deal with include Microchip,ALPS,ROHM,Xilinx,Pulse,ON,Everlight and Freescale. Main products comprise IC,Modules,Potentiometer,IC Socket,Relay,Connector.Our parts cover such applications as commercial,industrial, and automotives areas.

We are looking forward to setting up business relationship with you and hope to provide you with the best service and solution. Let us make a better world for our industry!



Contact us

Tel: +86-755-8981 8866 Fax: +86-755-8427 6832

Email & Skype: info@chipsmall.com Web: www.chipsmall.com

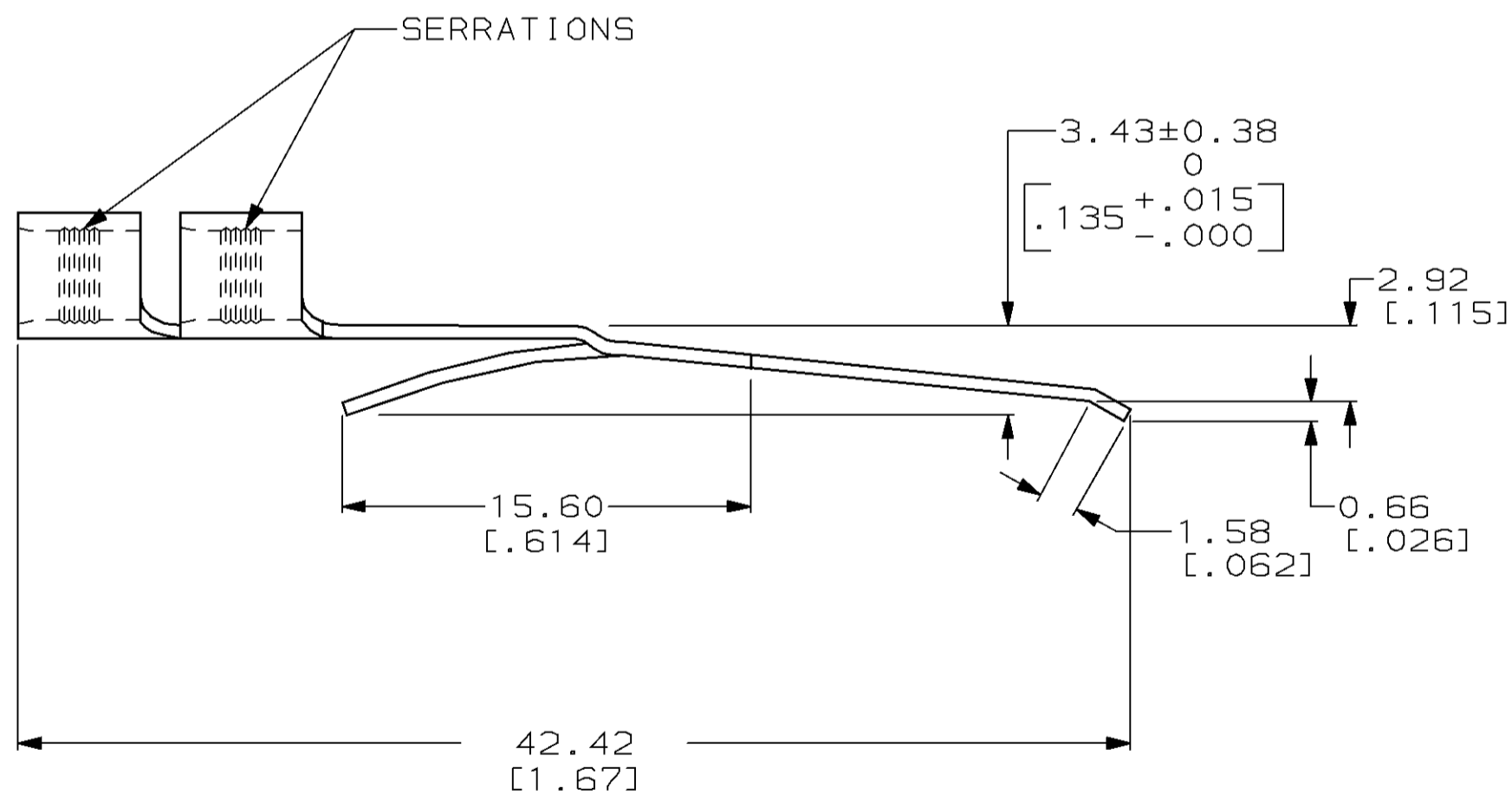
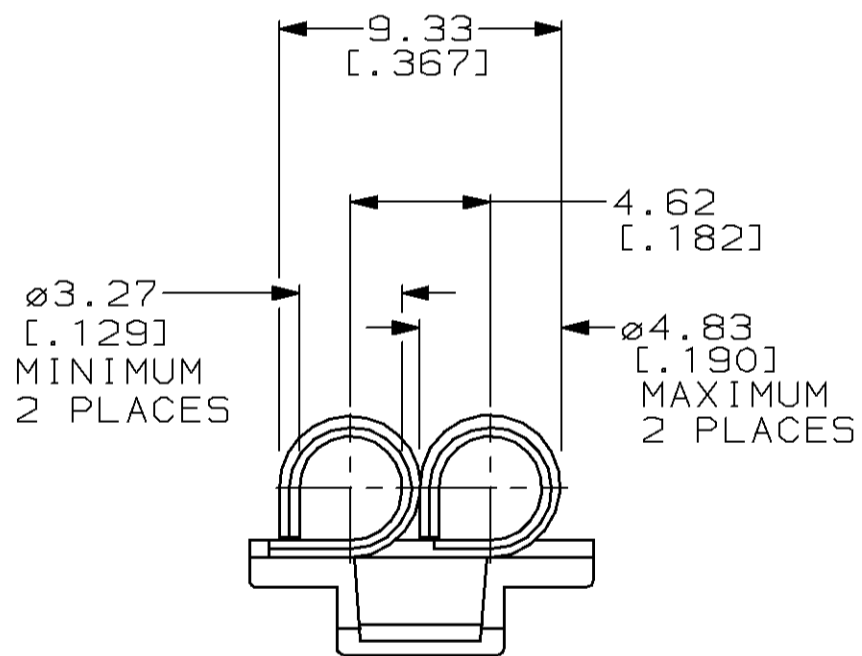
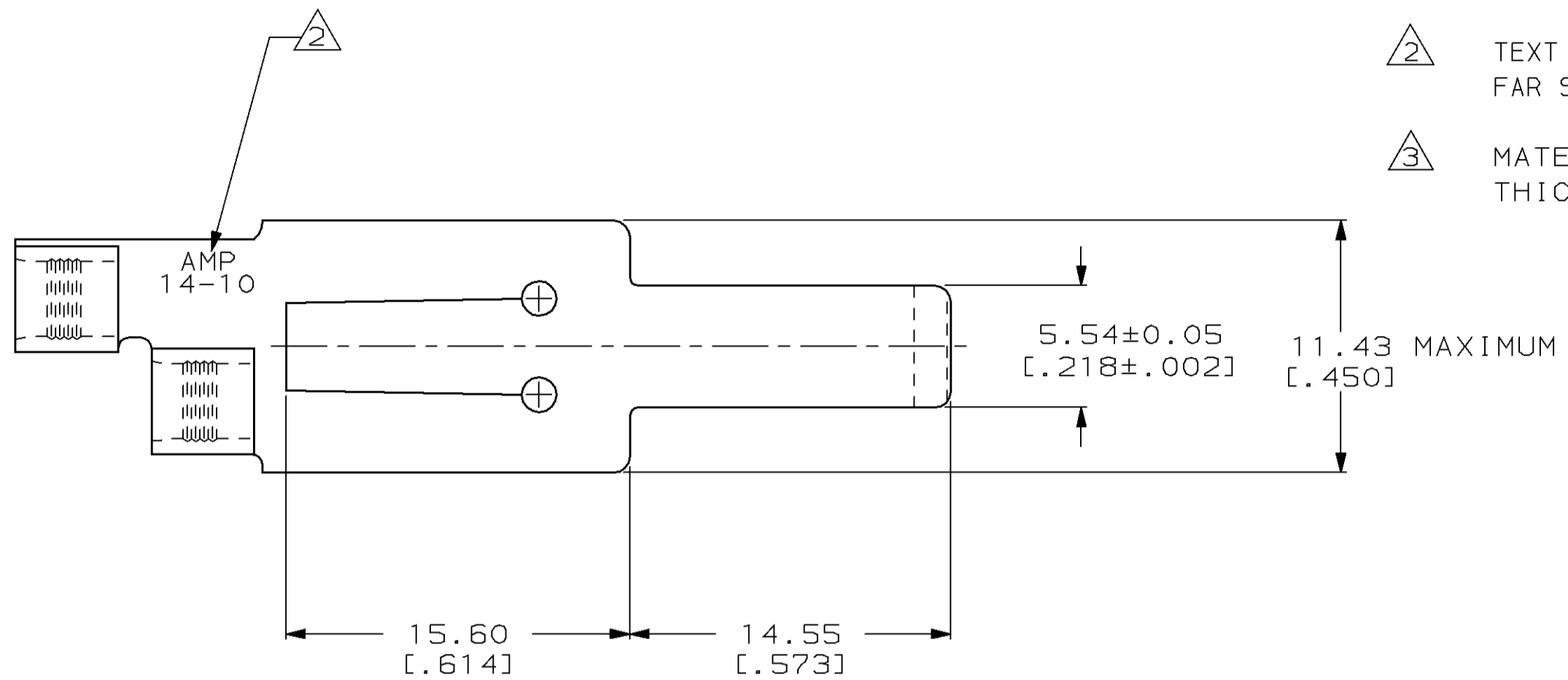
Address: A1208, Overseas Decoration Building, #122 Zhenhua RD., Futian, Shenzhen, China



THIS DRAWING IS UNPUBLISHED. RELEASED FOR PUBLICATION
 BY AMP INCORPORATED. ALL RIGHTS RESERVED.

Loc		DIST		REVISIONS			
P	LTR	DESCRIPTION	DATE	DWN	APVD		
		REV; EC ON20-0002-97	06FEB97	GG	PR		

- ① DIMENSIONS ARE NOMINAL UNLESS OTHERWISE SPECIFIED.
- ② TEXT LOCATED APPROXIMATELY AS SHOWN ON FAR SIDE OF PART.
- ③ MATERIAL: PHOSPHOR BRONZE 0.635 [.025] THICK, SILVER PLATED.



53889-1
PART NO.

<small>THIS DRAWING IS A CONTROLLED DOCUMENT FOR AMP INCORPORATED. IT IS SUBJECT TO CHANGE AND THE CONTROLLING ENGINEERING ORGANIZATION SHOULD BE CONTACTED FOR THE LATEST REVISION.</small>		DWN L. McEACHIN/UTA 25MAR96 CHK N. JONES 26MAR96 APVD P. RIEDL SMAR96	AMP AMP Incorporated Harrisburg, PA 17105-3608
DIMENSIONS: mm [INCHES]	TOLERANCES UNLESS OTHERWISE SPECIFIED: 0 PLC ± ① 1 PLC ± 2 PLC ±0.51 [.02] 3 PLC ±0.127 [.005] 4 PLC ± ANGLES ± FINISH ③	NAME PRODUCT SPEC APPLICATION SPEC WEIGHT -	SIZE A2 CAGE CODE 00779 DRAWING NO. C-53889
MATERIAL ③		CUSTOMER DRAWING	SCALE 4:1 SHEET 1 OF 1 REV D