



Chipsmall Limited consists of a professional team with an average of over 10 year of expertise in the distribution of electronic components. Based in Hongkong, we have already established firm and mutual-benefit business relationships with customers from,Europe,America and south Asia,supplying obsolete and hard-to-find components to meet their specific needs.

With the principle of “Quality Parts,Customers Priority,Honest Operation,and Considerate Service”,our business mainly focus on the distribution of electronic components. Line cards we deal with include Microchip,ALPS,ROHM,Xilinx,Pulse,ON,Everlight and Freescale. Main products comprise IC,Modules,Potentiometer,IC Socket,Relay,Connector.Our parts cover such applications as commercial,industrial, and automotives areas.

We are looking forward to setting up business relationship with you and hope to provide you with the best service and solution. Let us make a better world for our industry!



Contact us

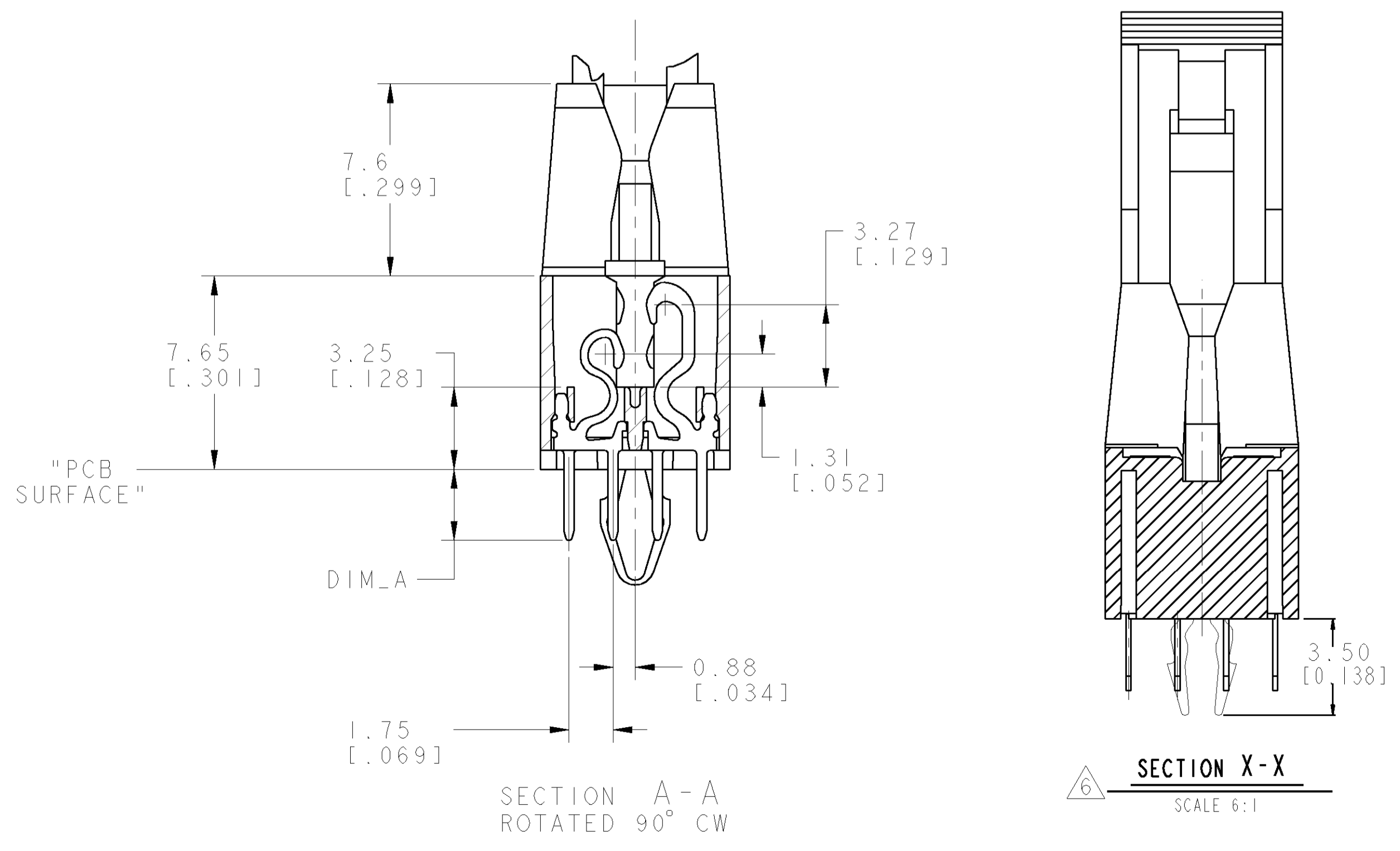
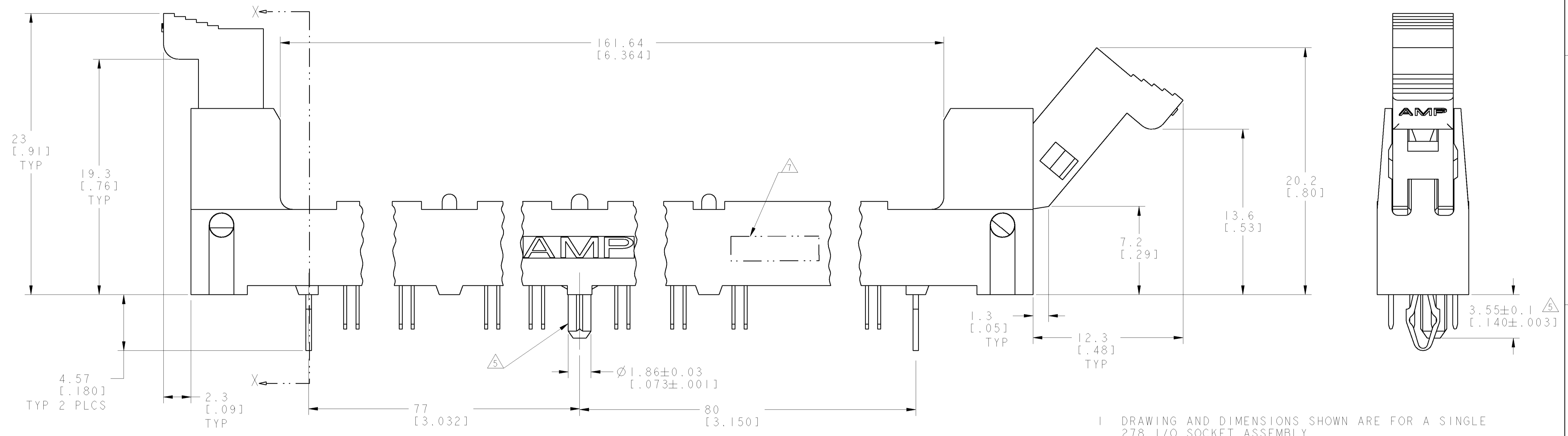
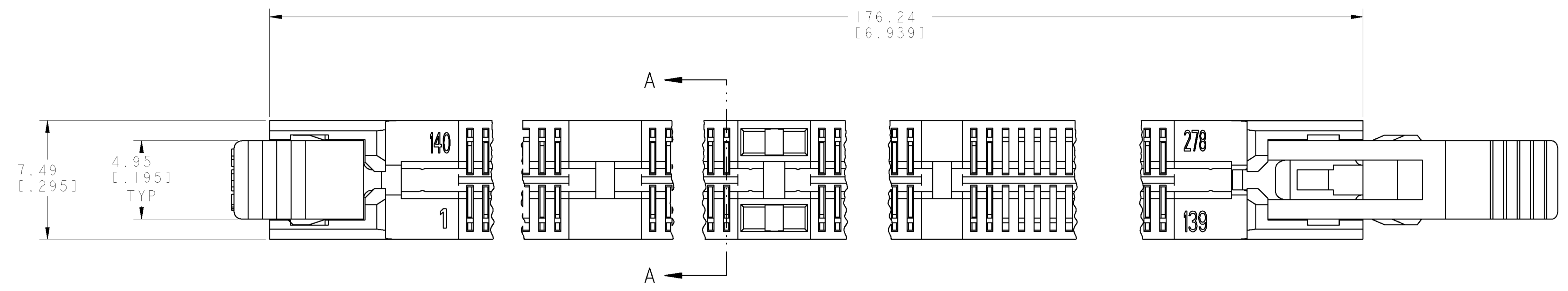
Tel: +86-755-8981 8866 Fax: +86-755-8427 6832

Email & Skype: info@chipsmall.com Web: www.chipsmall.com

Address: A1208, Overseas Decoration Building, #122 Zhenhua RD., Futian, Shenzhen, China



LOC	DIST	REVISIONS			
GP	0	P. LTR	DESCRIPTION	DATE	BY
		A	RELEASED PER EC 0512-0488-04	10JAN05	MY SB
		A1	REVISED PER ECO-10-000445	11JAN10	KK AEG

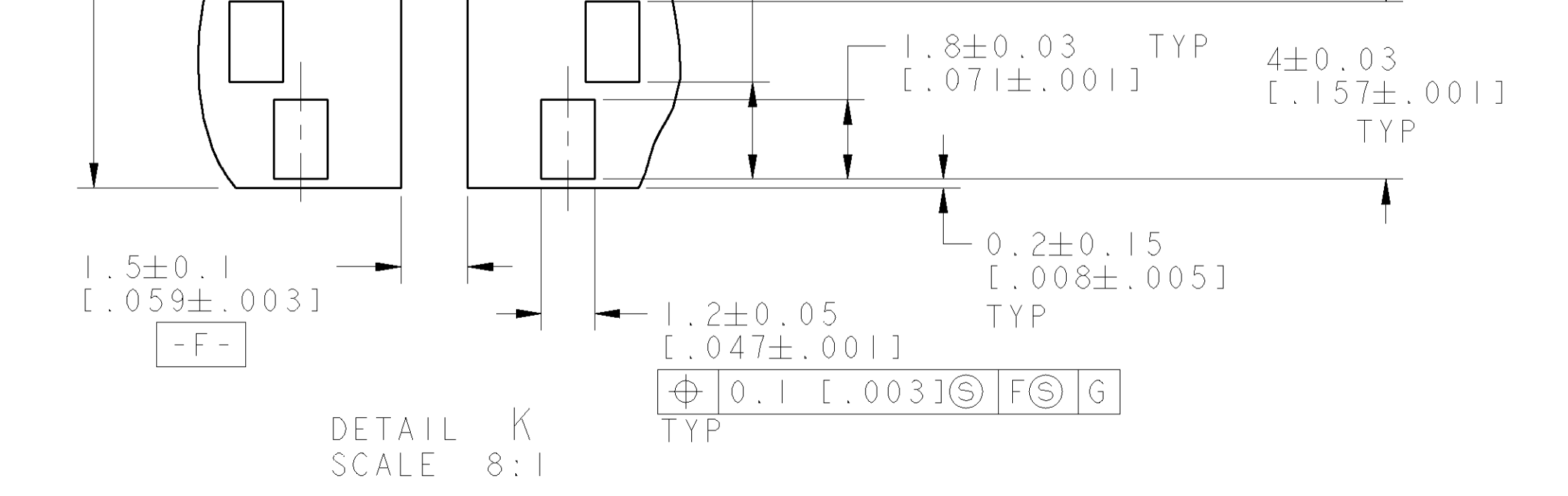
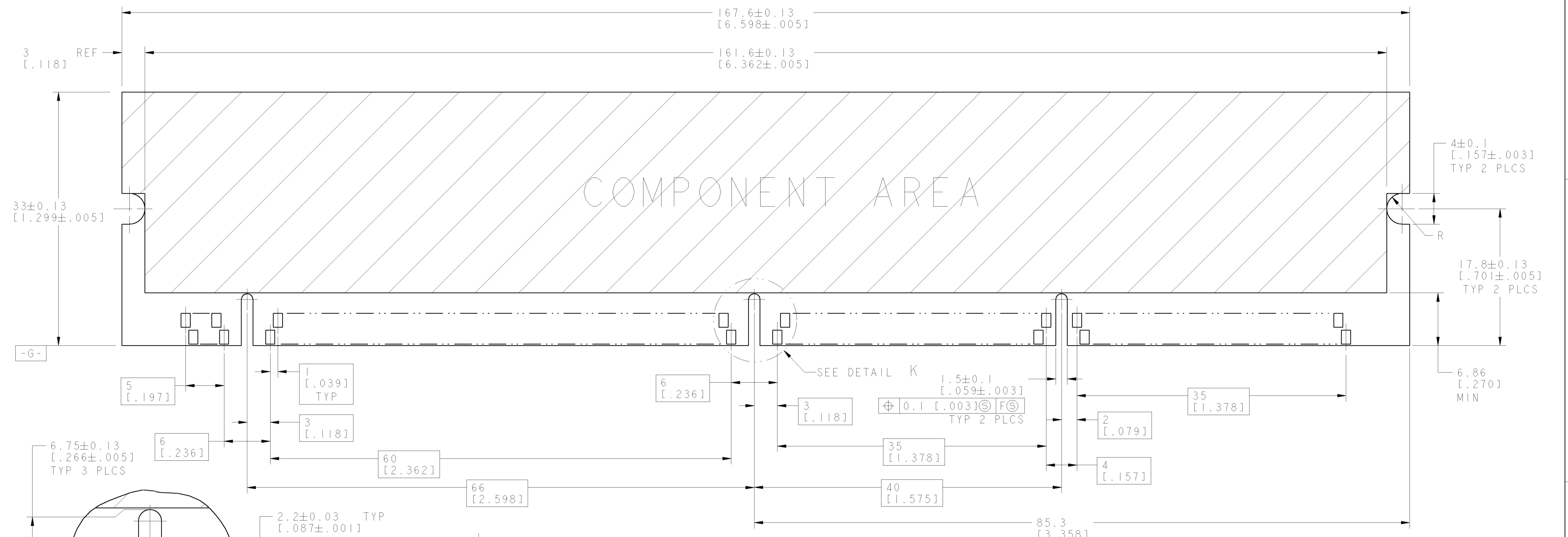
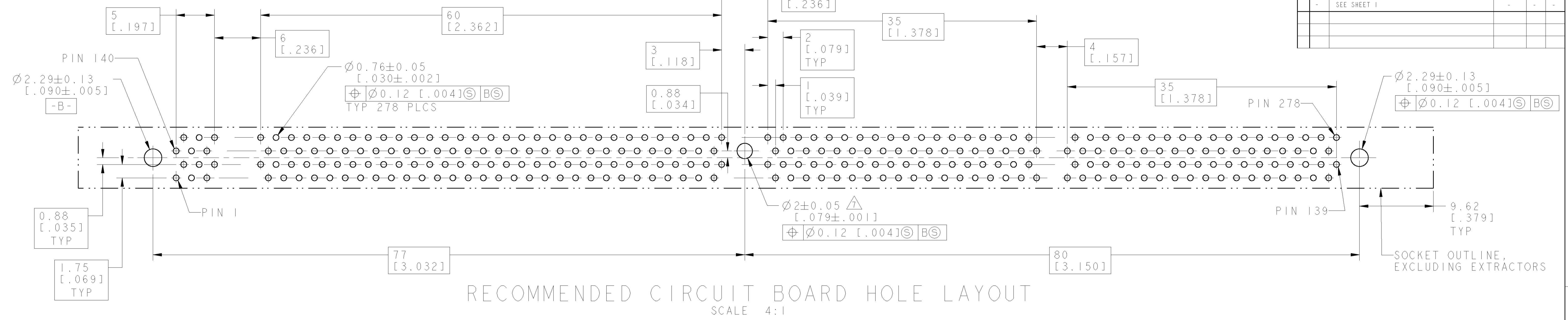


- 1 DRAWING AND DIMENSIONS SHOWN ARE FOR A SINGLE 278 I/O SOCKET ASSEMBLY.
- 2 THE POST DIAMETER REFERENCE DIMENSIONS EXCLUDE THE POSTS' FLUTING FEATURES.
- 3 CONTACT PADS SHALL BE PLATED WITH 0.0008 [.00003] MINIMUM THICK GOLD OVER 0.0038 [.00015] MINIMUM THICK NICKEL.
- 4 MATERIAL:
 HOUSING- HIGH TEMPERATURE NYLON, BLACK.
 EXTRACTORS- HIGH TEMPERATURE NYLON, NATURAL, BLACK
 CONTACTS- PHOSPHOR BRONZE WITH 0.00076 [.000030] MIN THICK GOLD OVER 0.0038 [.000150] MIN THICK NICKEL IN CONTACT AREA AND 0.0038 [.000150] MIN THICK MATTE TIN OVER 0.00127 [.000050] MIN THICK NICKEL ON SOLDER TAIL.
 BOARDLOCKS, BRASS, AMP 100-86
- 5 5390108-4 DOES NOT HAVE CENTER POST.
- 6 BOARDLOCK DETAIL FOR 5390108-5 ONLY.
- 7 DATE CODE LOCATED APPROX. AS SHOWN.
- 8 OBSOLETE PARTS: OBSOLETE CIS STREAMLINING PER D.RENAUD/D.SINISI

8	OBSOLETE	NATURAL	2.79 [.110]	278	5390108-5
		BLACK	4.19 [.165]	278	5390108-4
		NATURAL	2.79 [.110]	278	5390108-3
		EXTRACTOR	DIM_A	POS	PART NUMBER

DIMENSIONS: mm [INCHES]		TOLERANCES UNLESS OTHERWISE SPECIFIED: 0 PLC ± .01 1 PLC ±0.3 [.013] 2 PLC ±0.10 [.004] 3 PLC ±0.10 [.004] 4 PLC ± .01 ANGLES ± .01		DIM M. YEOMANS 10JAN05 CHK M. YEOMANS 10JAN05 APVD S. BURKHOLDER 10JAN05 PRODUCT SPEC APPLICATION SPEC		tyco Tyco Electronics Harrisburg, PA 17105-3608	
MATERIAL: 4		FINISH:		WEIGHT:		SIZE: CAGE CODE: DRAWING NO: RESTRICTED TO:	
CUSTOMER DRAWING		SCALE: 6:1		SHEET 1 OF 2		REV A1	

LOC	DIST	P	LTR	DESCRIPTION	DATE	DWN	APVD
GP	0	-	-	SEE SHEET 1	-	-	-



RECOMMENDED MODULE LAYOUT
 1.27±0.10 [.050±.004] THICK ACROSS PADS
 SCALE 4:1

DIMENSIONS: mm [INCHES]		TOLERANCES UNLESS OTHERWISE SPECIFIED: 0 PLC ± .3 [.01] 1 PLC ±0.10 [.004] 3 PLC ±0.010 [.004] 4 PLC ± .		DWN M. YEOMANS 10JAN05 ENR M. YEOMANS 10JAN05 APVD S. BURKHOLDER		tyco Tyco Electronics Harrisburg, PA 17105-3608	
MATERIAL:		FINISH:		WEIGHT:		SIZE: CAGE CODE DRAWING NO. RESTRICTED TO A100779C=5390108	
CUSTOMER DRAWING				SCALE 6:1		SHEET 2 OF 2 REV A1	