



Chipsmall Limited consists of a professional team with an average of over 10 year of expertise in the distribution of electronic components. Based in Hongkong, we have already established firm and mutual-benefit business relationships with customers from,Europe,America and south Asia,supplying obsolete and hard-to-find components to meet their specific needs.

With the principle of “Quality Parts,Customers Priority,Honest Operation,and Considerate Service”,our business mainly focus on the distribution of electronic components. Line cards we deal with include Microchip,ALPS,ROHM,Xilinx,Pulse,ON,Everlight and Freescale. Main products comprise IC,Modules,Potentiometer,IC Socket,Relay,Connector.Our parts cover such applications as commercial,industrial, and automotives areas.

We are looking forward to setting up business relationship with you and hope to provide you with the best service and solution. Let us make a better world for our industry!



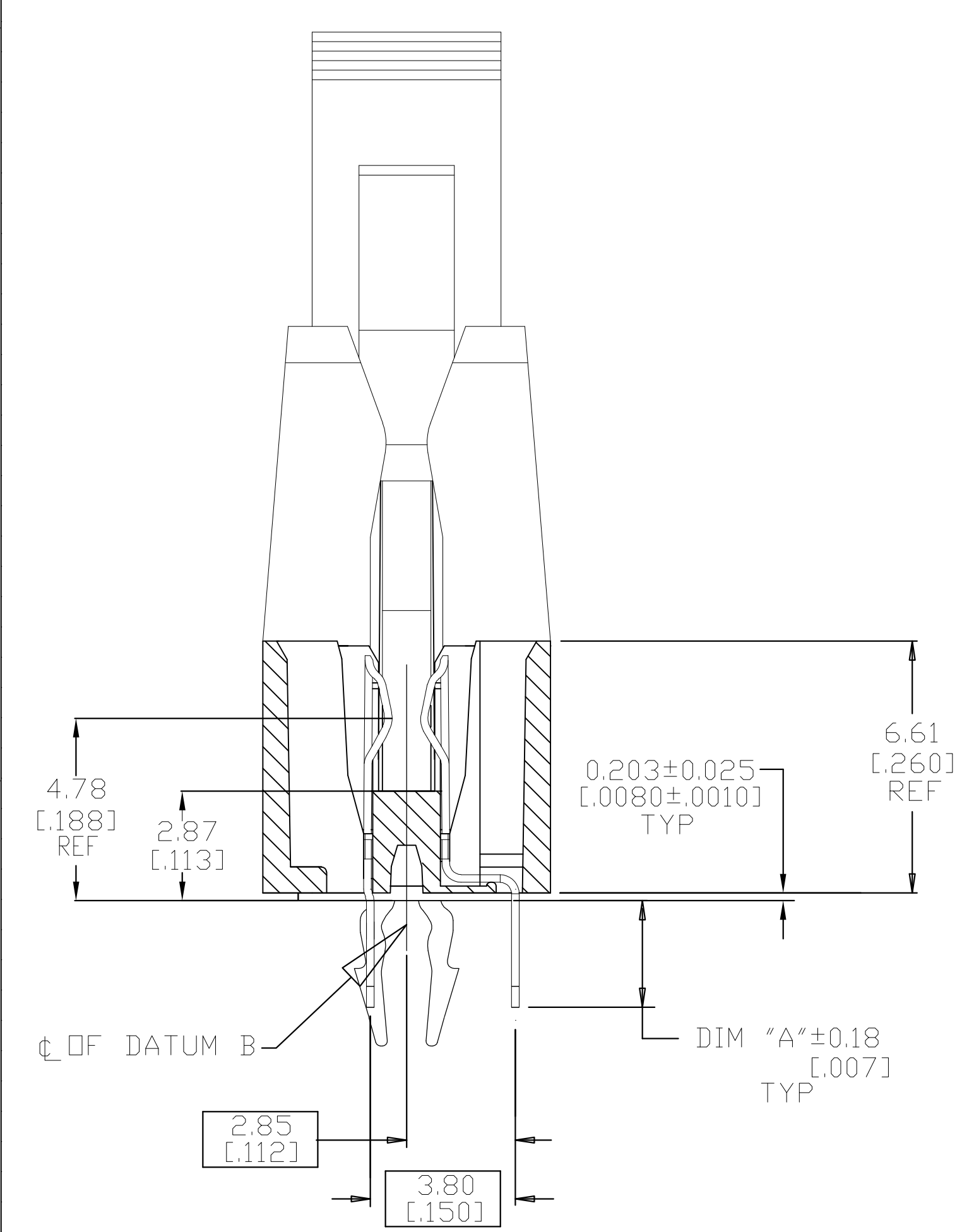
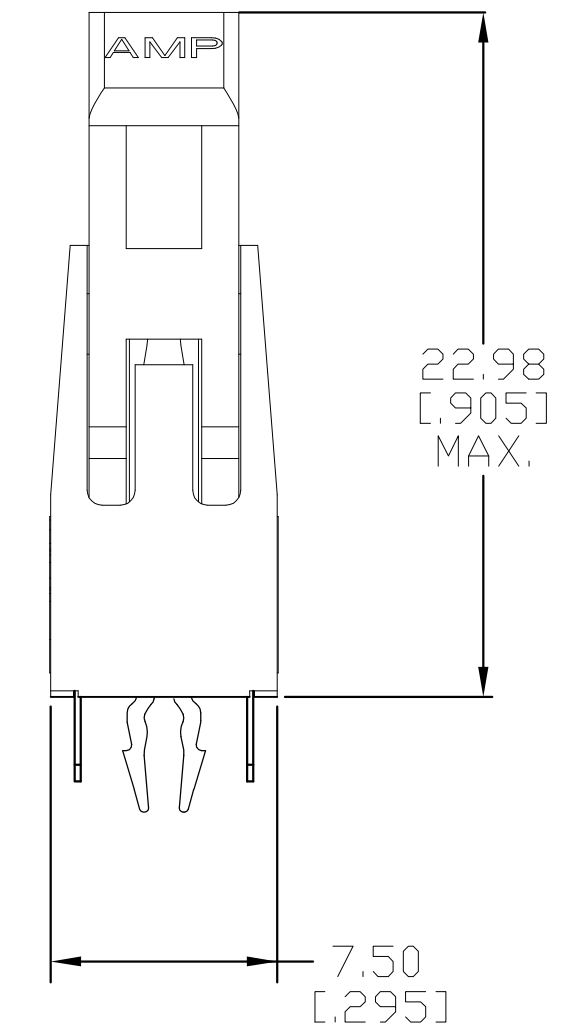
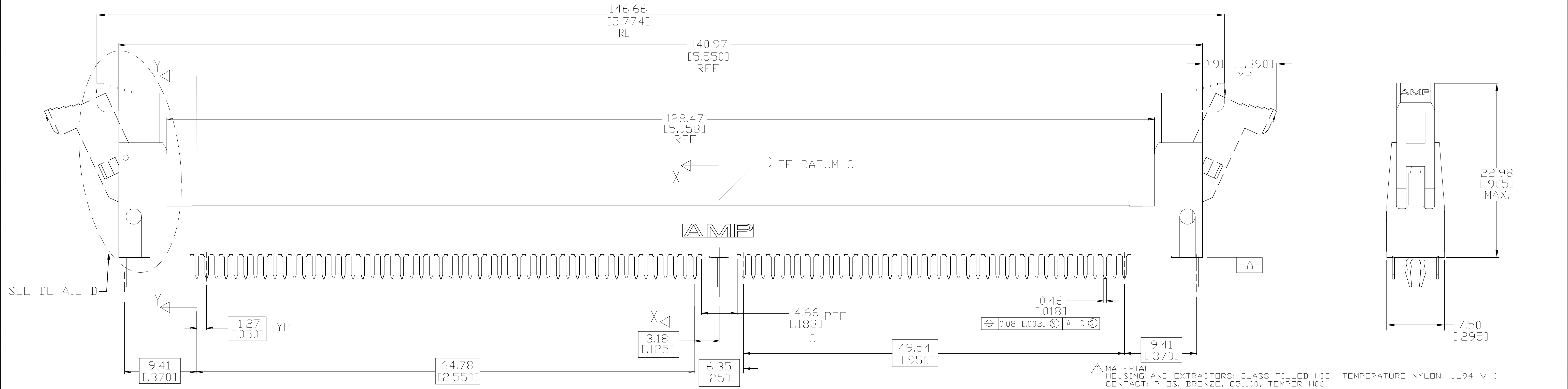
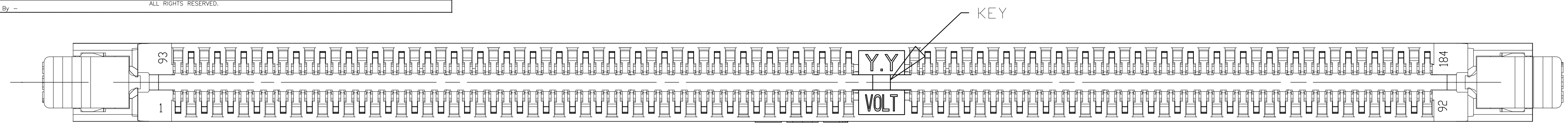
## Contact us

Tel: +86-755-8981 8866 Fax: +86-755-8427 6832

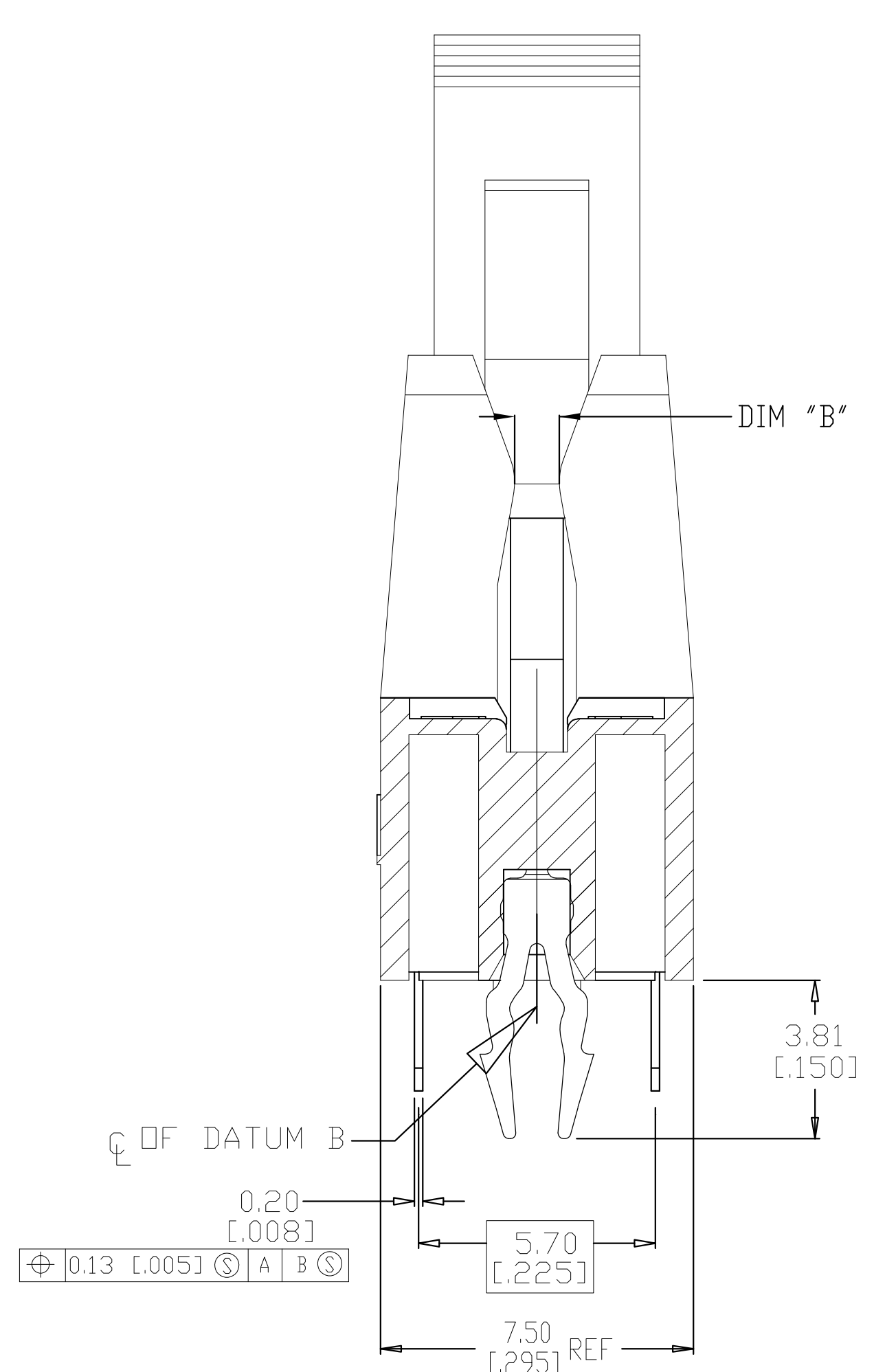
Email & Skype: info@chipsmall.com Web: www.chipsmall.com

Address: A1208, Overseas Decoration Building, #122 Zhenhua RD., Futian, Shenzhen, China

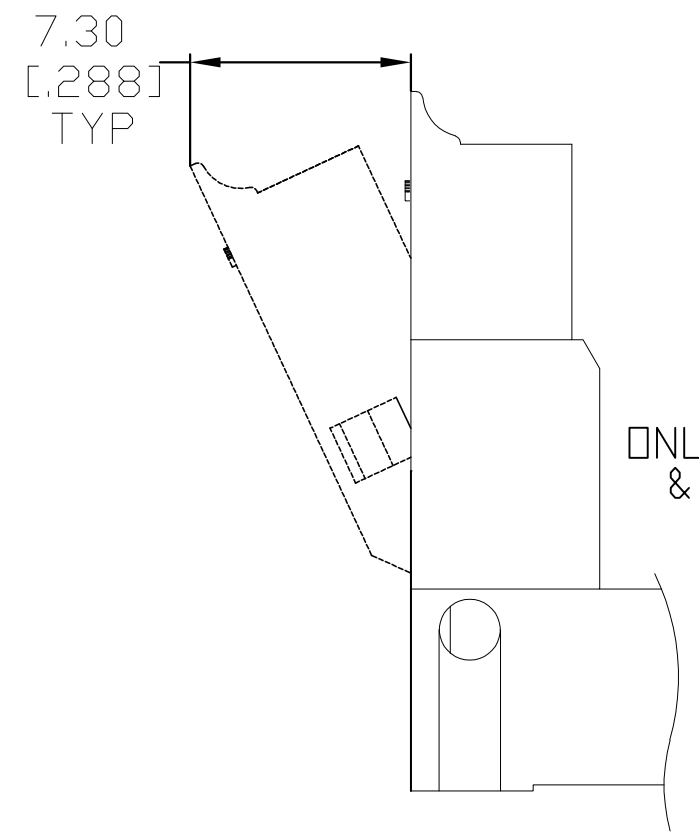




SECTION Y-Y  
CIRCUITS 1 AND 93  
SCALE 8:1



SECTION X-X  
SCALE 8:1



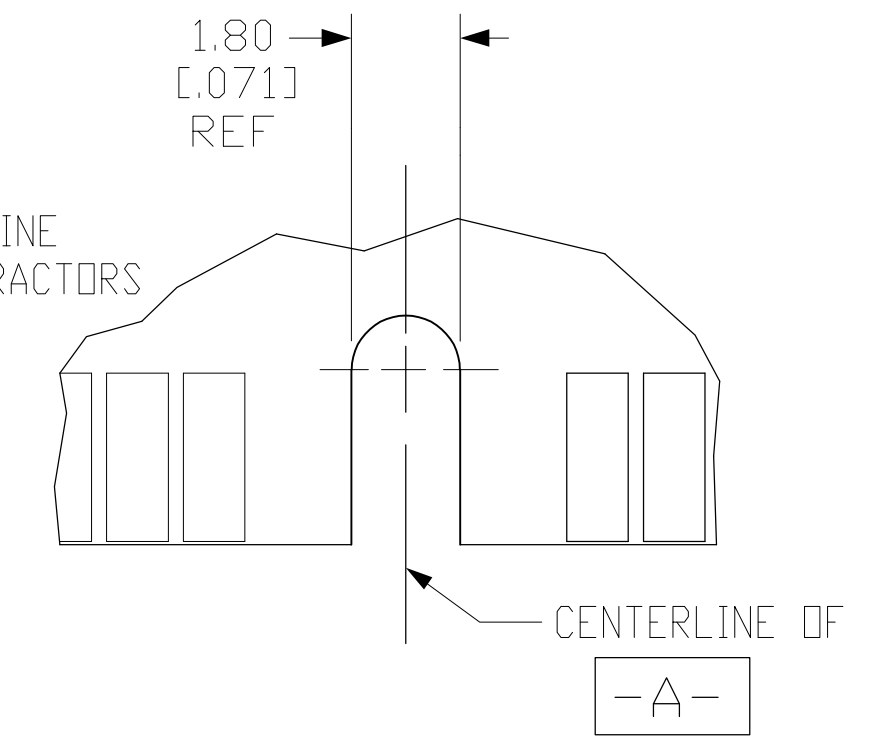
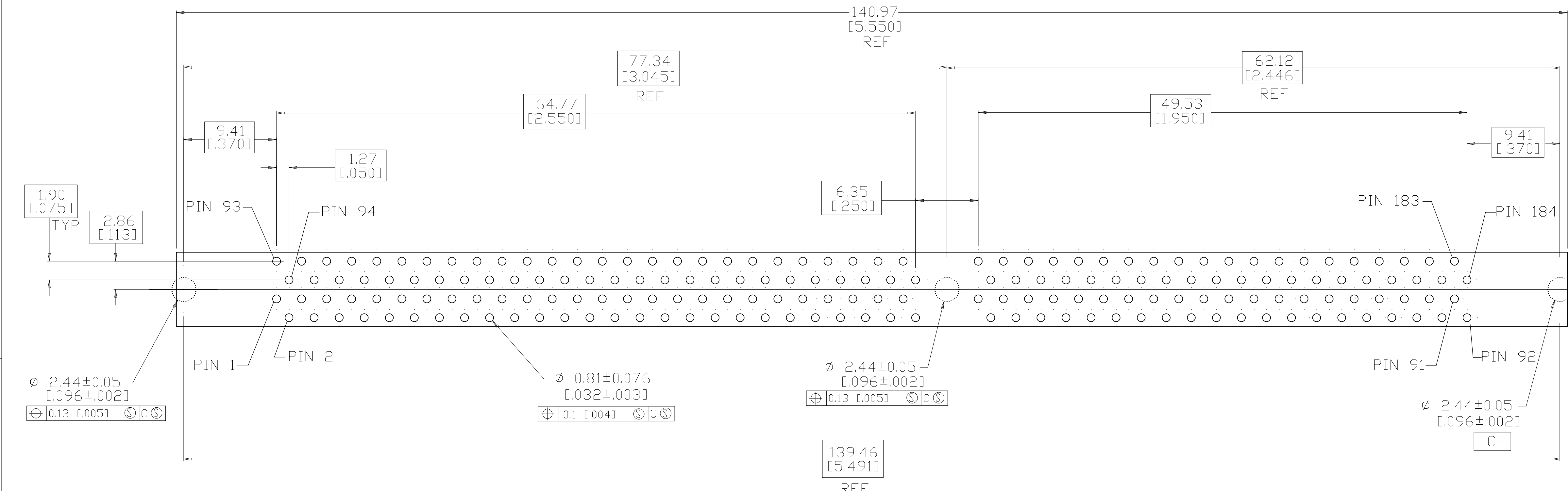
DETAIL D  
ONLY FOR 5390241-7  
& 3-5390241-3

- △ MATERIAL HOUSING AND EXTRACTORS: GLASS FILLED HIGH TEMPERATURE NYLON, UL94 V-0. CONTACT: PHOS. BRONZE, C51100, TEMPER H06. RETENTION POST: STAINLESS STEEL, AMP 100-309.
- △ FINISH CONTACT: NICKEL PLATE ALL OVER 0.00127-0.00191(0.000050-0.000075) THICK PER AMP SPEC 112-25-2. GOLD PLATE IN INTERFACE AREA 0.00038 [0.00015] MIN THICK PER AMP SPEC 112-162-5. LEAD-FREE MATTE TIN PLATE IN SOLDER TAIL AREA .00381-.00635 [0.00150-0.00250] THICK PER AMP SPEC 112-65-1.
- △ PART NUMBER WILL NOT HAVE METAL RETENTION POSTS.
- △ RETENTION POST: BRASS
- △ EXTRACTOR MATERIAL: GLASS-FILLED HIGH TEMPERATURE NYLON, COLOR-BLACK.
- △ GOLD PLATE IN INTERFACE AREA 0.00076 (0.00030) MIN THICK PER AMP SPEC 112-162-5 OVER 0.00254 (0.00100) MIN THICK NICKEL PER AMP SPEC 112-25-3.
- △ HOUSING MATERIAL: GLASS FILLED HIGH TEMPERATURE NYLON, COLOR-BLUE.
- △ PRELIMINARY - NOT RELEASED FOR PRODUCTION
- △ GOLD PLATE IN INTERFACE AREA 0.00038 [0.00015] MIN THICK PER AMP SPEC 112-162-5 OVER 0.00254 [0.00100] MIN THICK NICKEL PER AMP SPEC 112-25-3. MATTE TIN IN SOLDER TAIL AREA .00381-.00635 [0.00150-0.00250] THICK PER AMP SPEC 112-65-1 OVER 0.00127-.00510 [0.00050-0.00200] THICK NICKEL PER AMP SPEC 112-25-3.
- △ GOLD PLATE IN INTERFACE AREA 0.00038 [0.00015] MIN THICK PER AMP SPEC 112-162-5 OVER 0.00127 MIN THICK NICKEL PER AMP SPEC 112-25-2. GOLD FLASH IN SOLDER TAIL AREA PER AMP SPEC 112-162-5 OVER 0.00127 THICK NICKEL PER AMP SPEC 112-25-2.
- △ OBSOLETE PARTS: OBSOLETE CIS STREAMLINING PER DRENAUD/D.SINISI

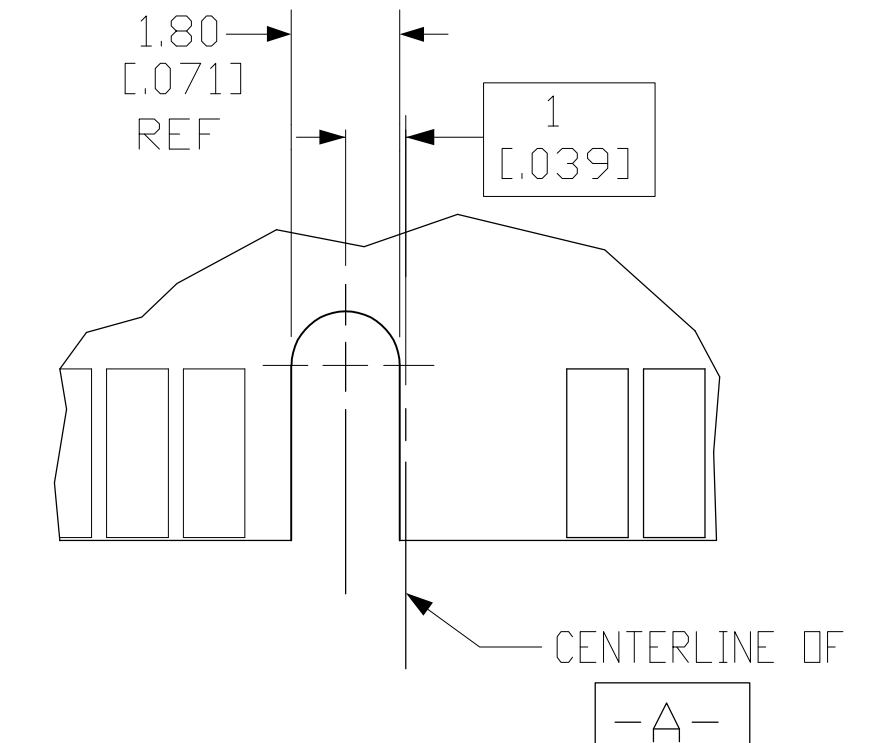
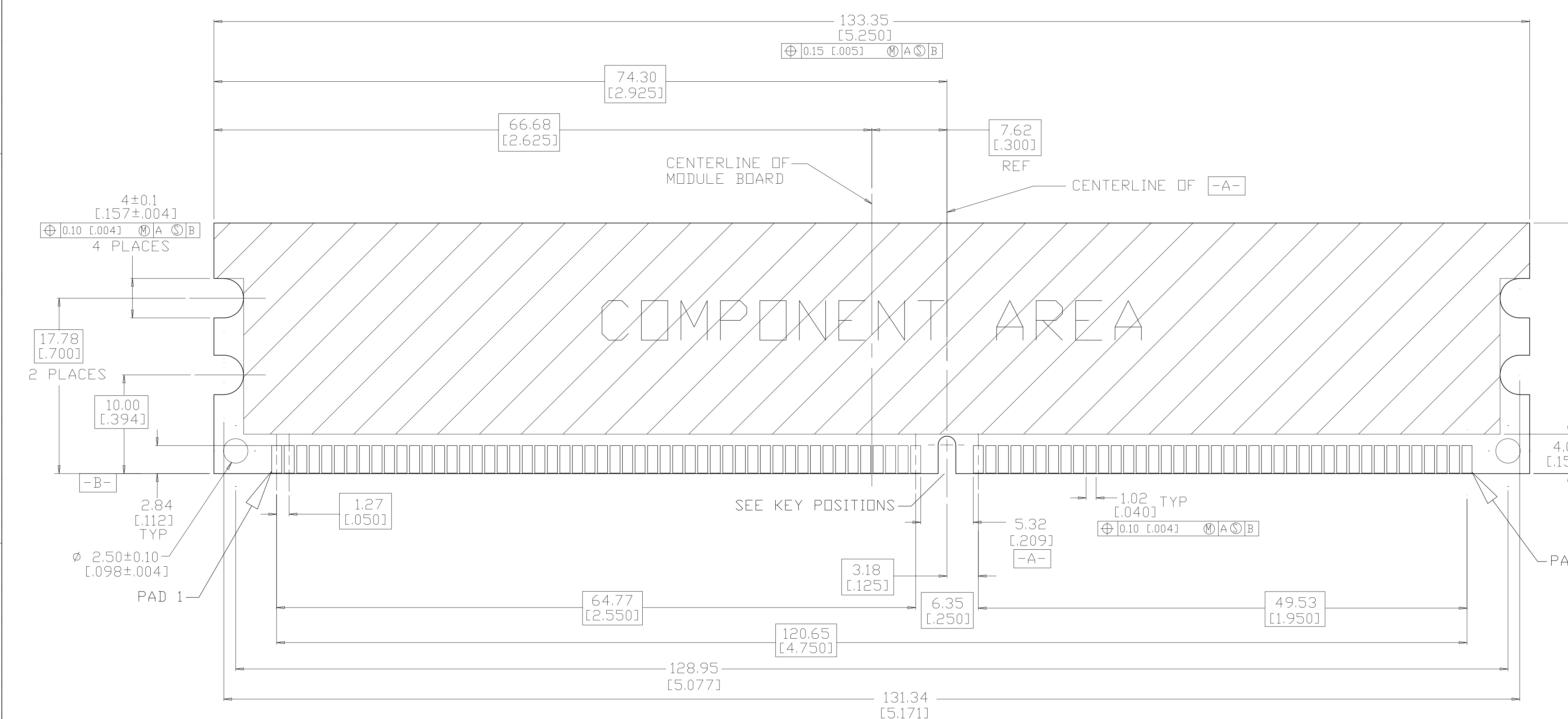
NATURAL	BLACK	1.07 [0.42]	2.79 [1.10]	DETAIL B	184 POSN. DIMM2P , 2.5V, 30 GOLD PLATED CONTACTS	6-5390241-3
NATURAL	BLACK	1.07 [0.42]	3.30 [1.30]	DETAIL B	184 POSN. DIMM2P , 2.5V, 30 GOLD PLATED CONTACTS	4-5390241-5
NATURAL	BLACK	1.07 [0.42]	4.26 [1.68]	DETAIL B	184 POSN. DIMM2P , 2.5V, 30 GOLD PLATED CONTACTS	6-5390241-1
NATURAL	BLACK	1.07 [0.42]	2.79 [1.10]	DETAIL B	184 POSN. DIMM2P , 2.5V, PRE-PLATED CONTACTS	3-5390241-3
BLACK	BLACK	1.07 [0.42]	2.79 [1.10]	DETAIL A	184 POSN. DIMM2P , 1.8V, PRE-PLATED CONTACTS	1-5390241-2
NATURAL	BLACK	1.07 [0.42]	2.79 [1.10]	DETAIL B	184 POSN. DIMM2P , 2.5V, TAIL GOLD FLASH CONTACTS	1-5390241-0
NATURAL	BLACK	1.47 [0.58]	3.30 [1.30]	DETAIL B	184 POSN. DIMM2P , 2.5V, PRE-PLATED CONTACTS	5390241-8
NATURAL	BLACK	1.47 [0.58]	2.79 [1.10]	DETAIL B	184 POSN. DIMM2P , 2.5V, PRE-PLATED CONTACTS	5390241-5
NATURAL	BLACK	1.07 [0.42]	3.30 [1.30]	DETAIL B	184 POSN. DIMM2P , 2.5V, PRE-PLATED CONTACTS	5390241-4
NATURAL	BLACK	1.07 [0.42]	2.79 [1.10]	DETAIL B	184 POSN. DIMM2P , 2.5V, PRE-PLATED CONTACTS	5390241-1
EXTRACTOR COLOR	HOUSING COLOR	DIM "B"	SOLDERTAIL LENGTH DIM "A"	KEY POSITION	DESCRIPTION	PART NUMBER

THIS DRAWING IS A CONTROLLED DOCUMENT.

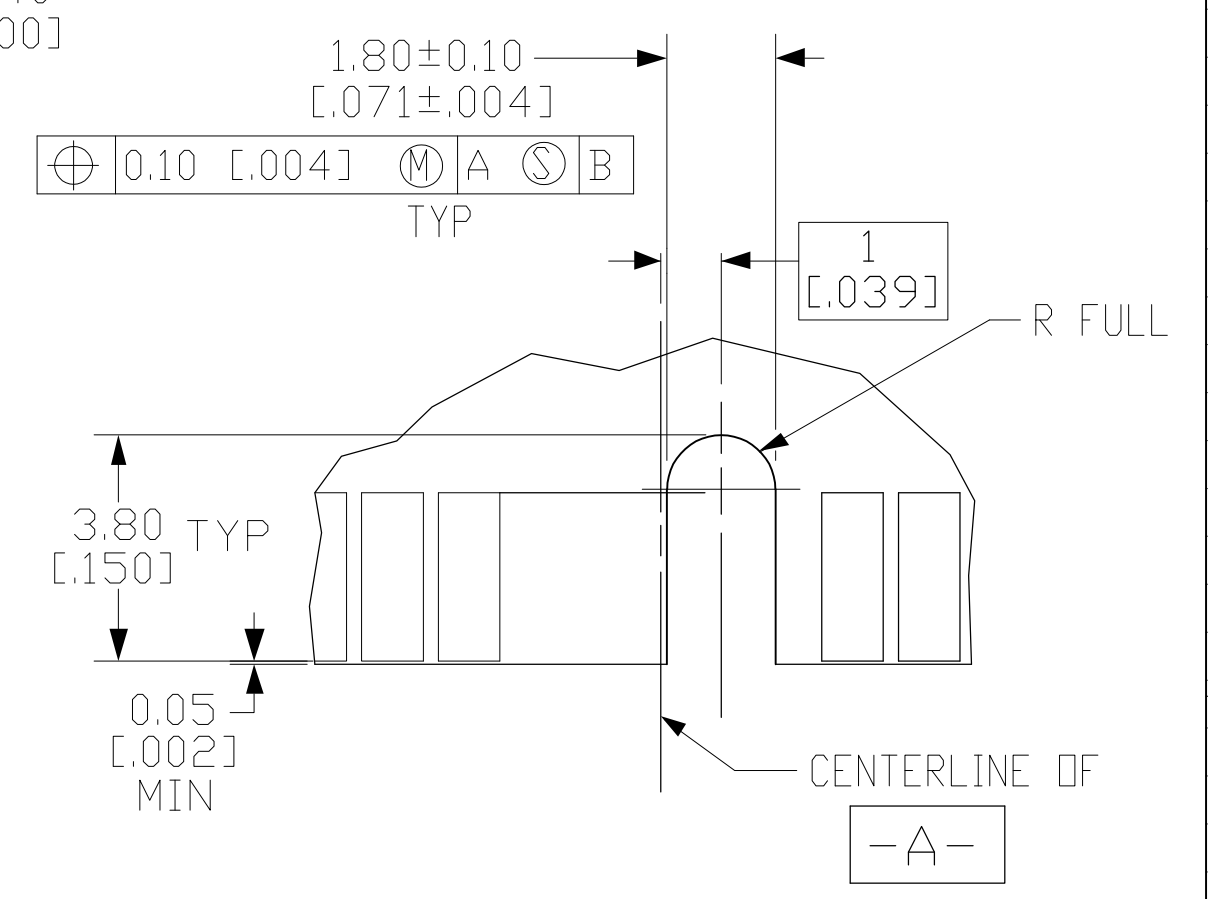
DIMENSIONS: mm [INCHES]	TOLERANCES UNLESS OTHERWISE SPECIFIED:	DIN J.BURWELL 04JUNE04	STE TE Connectivity
0 PLC ± -	1 PLC ± -	CHK D.SHIRLING 04JUNE04	NAME SOCKET ASSEMBLY, DIMM2P
2 PLC ± 0.13 [0.005]	3 PLC ± -	APP'D D.SHIRLING 04JUNE04	184 POSITION, DDR
4 PLC ± -	ANGLES ± -	PRODUCT SPEC 108-1753	SIZE 114-1115
MATERIAL	FINISH	APPLICATION SPEC 114-1115	WEIGHT
		SIZE CAGE CODE DRAWING NO. A1 00779	RESTRICTED TO
		WEIGHT	SCALE 4:1 SHEET 1 OF 2 REV E



DETAIL A  
SCALE 8:1



DETAIL B  
SCALE 8:1



DETAIL C  
SCALE 8:1

KEY POSITIONS

RECOMMENDED MODULE LAYOUT  
SEE JEDEC SPEC MD-206 FOR COMPLETE MODULE DETAILS  
1.27 ± 0.10 [0.050 ± 0.004] THICK ACROSS CONTACT PADS

THIS DRAWING IS A CONTROLLED DOCUMENT.		DWN: J.BURWELL 04JUN04	TE Connectivity	
DIMENSIONS: mm [INCHES]		CHK: D.SHIRLING 04JUN04	NAME: SOCKET ASSEMBLY, DIMM2P	
TOLERANCES UNLESS OTHERWISE SPECIFIED:		APP'D: D.SHIRLING 04JUN04	PRODUCT SPEC: 108-1753	
0 PLG	± -		APPLICATION SPEC: 114-1115	
1 PLG	± -		SIZE: A1	
2 PLG	± 0.13 [0.005]		CAGE CODE: 00779	
3 PLG	± -		DRAWING NO: 5390241	
4 PLG	± -		RESTRICTED TO: -	
ANGLES	± -		CUSTOMER DRAWING	
MATERIAL: $\triangle$	FINISH: $\triangle$	WEIGHT: -	SCALE: 4:1 SHEET 2 OF 2 REV E	