



Chipsmall Limited consists of a professional team with an average of over 10 year of expertise in the distribution of electronic components. Based in Hongkong, we have already established firm and mutual-benefit business relationships with customers from,Europe,America and south Asia,supplying obsolete and hard-to-find components to meet their specific needs.

With the principle of “Quality Parts,Customers Priority,Honest Operation,and Considerate Service”,our business mainly focus on the distribution of electronic components. Line cards we deal with include Microchip,ALPS,ROHM,Xilinx,Pulse,ON,Everlight and Freescale. Main products comprise IC,Modules,Potentiometer,IC Socket,Relay,Connector.Our parts cover such applications as commercial,industrial, and automotives areas.

We are looking forward to setting up business relationship with you and hope to provide you with the best service and solution. Let us make a better world for our industry!



## Contact us

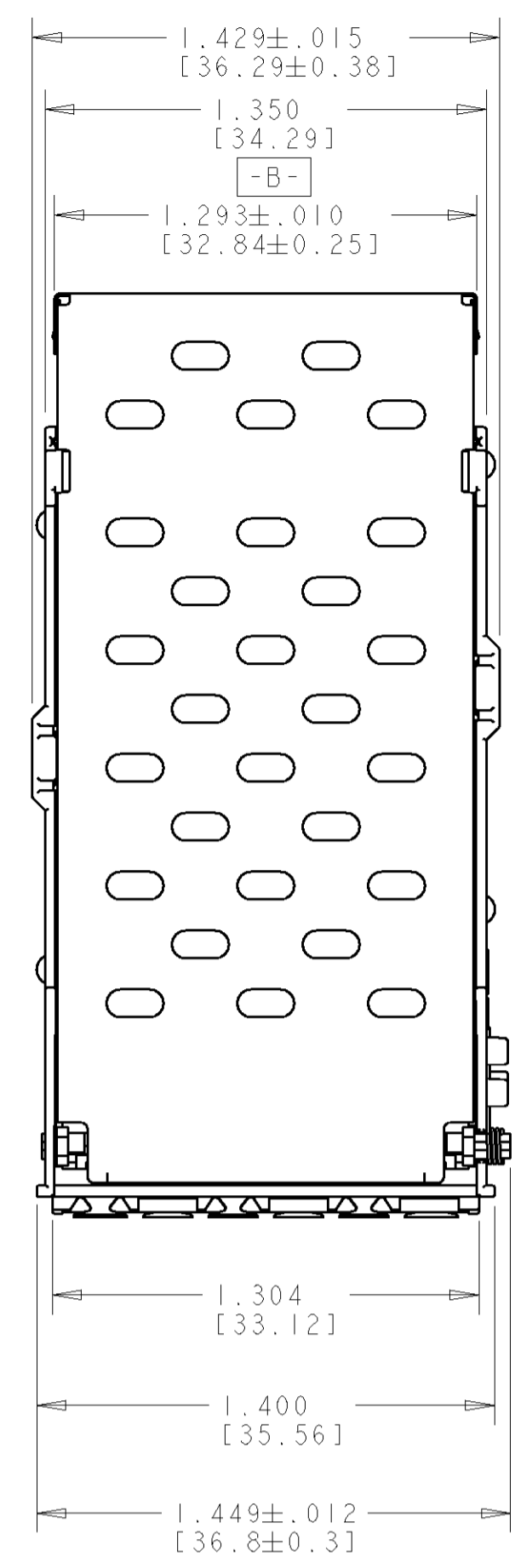
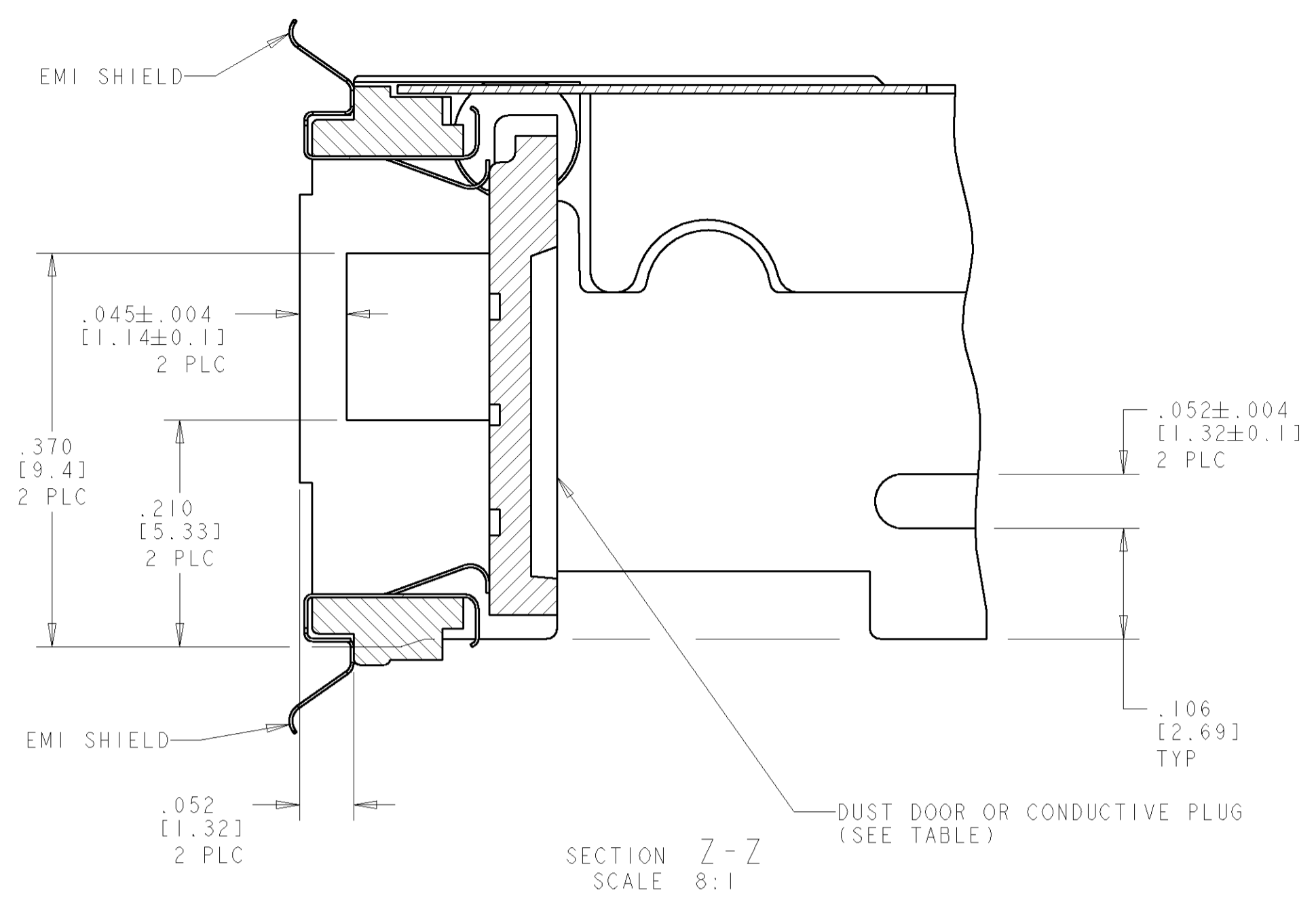
Tel: +86-755-8981 8866 Fax: +86-755-8427 6832

Email & Skype: info@chipsmall.com Web: www.chipsmall.com

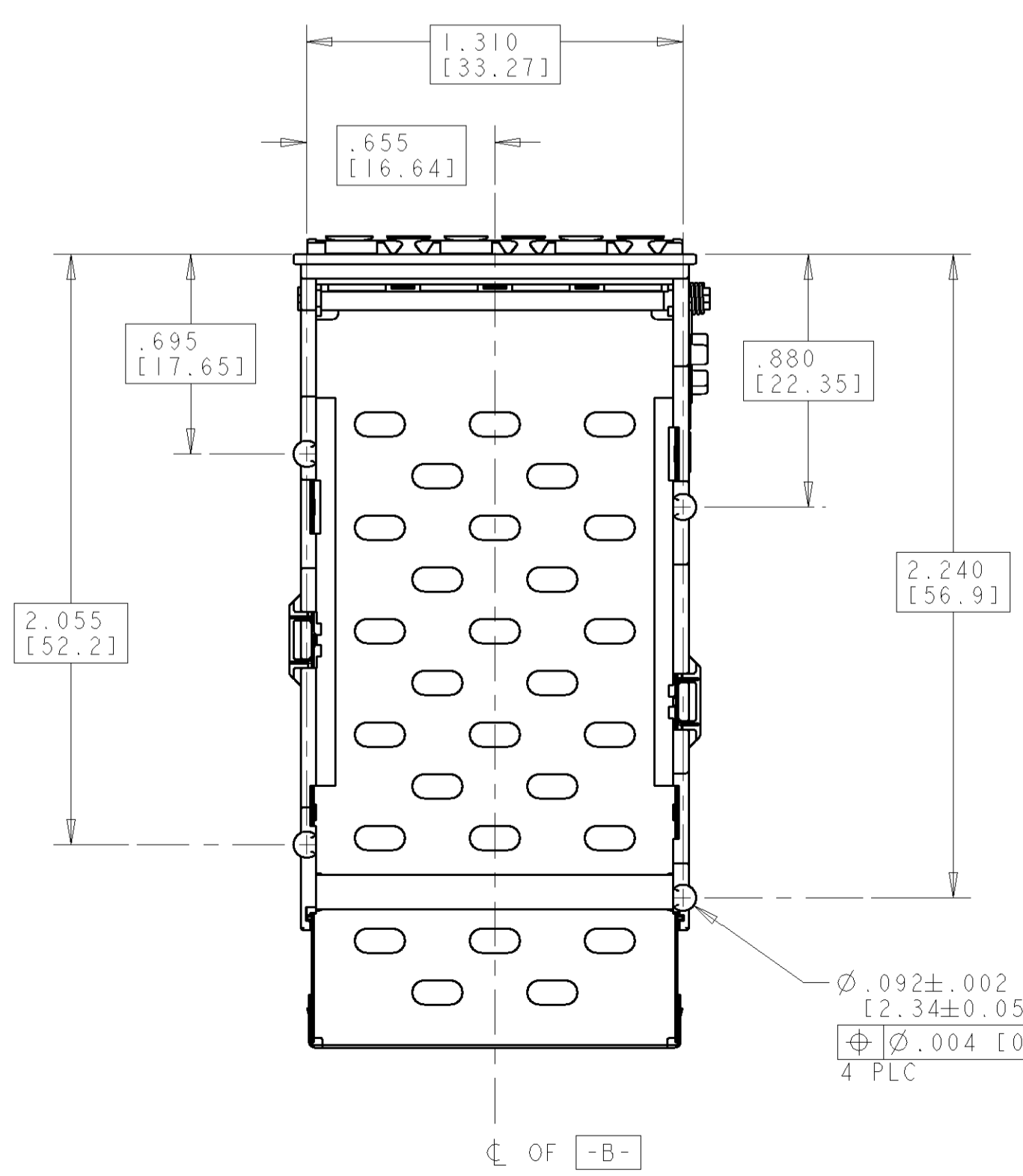
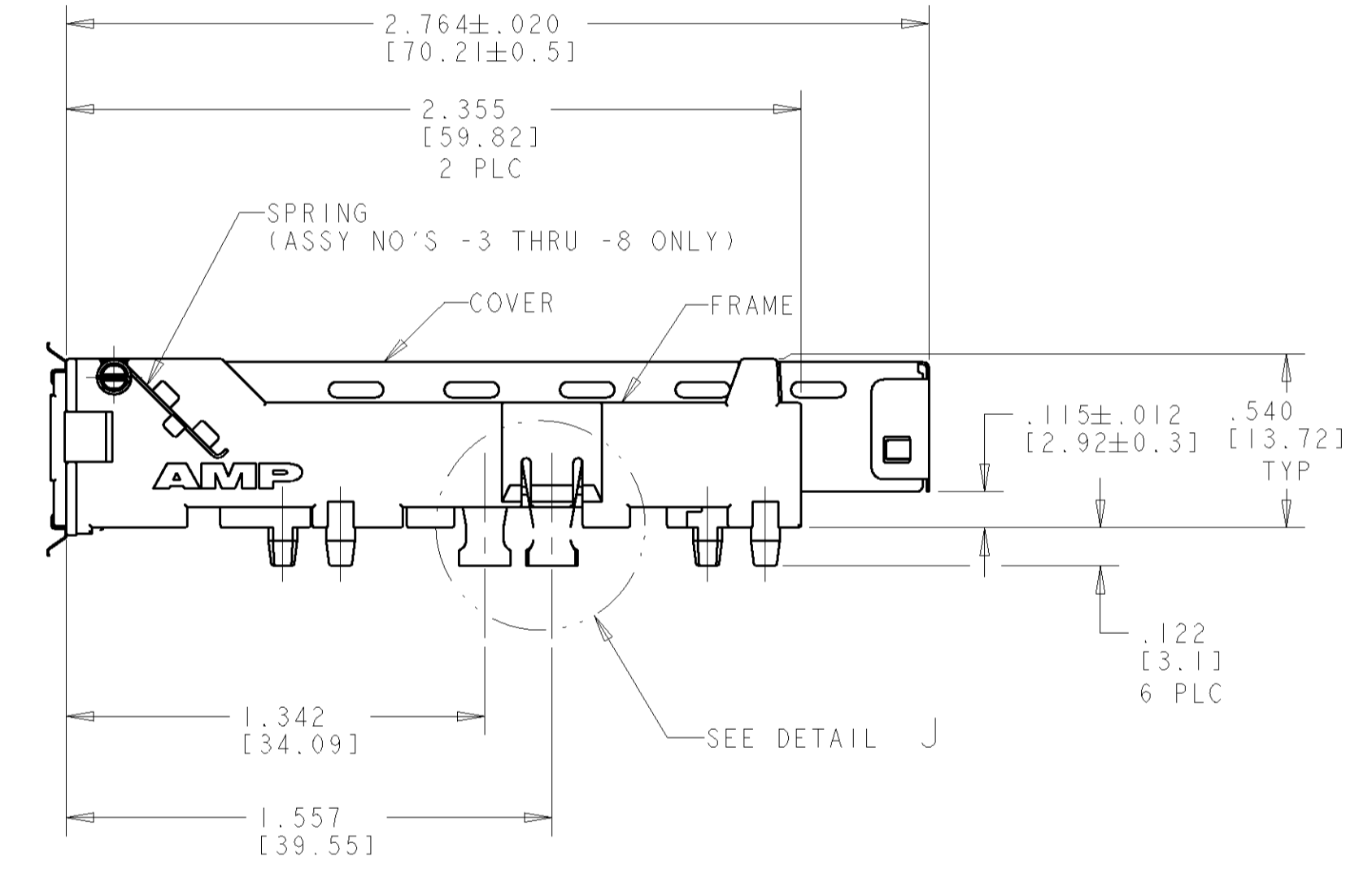
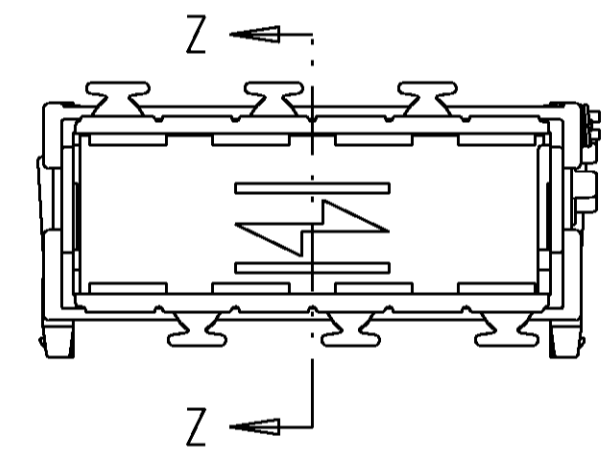
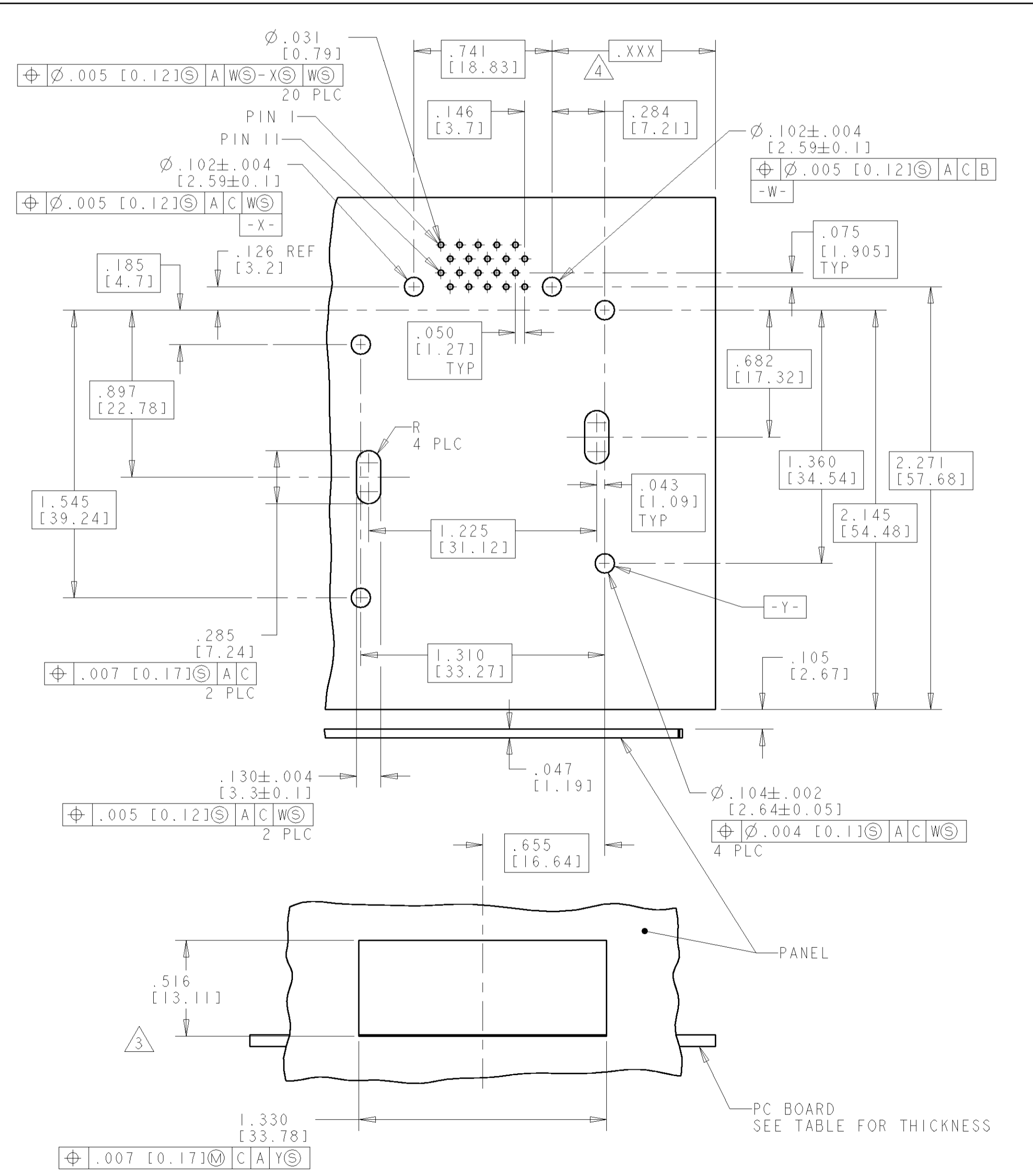
Address: A1208, Overseas Decoration Building, #122 Zhenhua RD., Futian, Shenzhen, China



LOC	DIST	P	LTR	DESCRIPTION	DATE	BY	APPD
GP	00	A		RELEASED	11JULY05	BM	SS



- 1 DUST DOOR: ZINC ALLOY.  
 FRAME: ZINC ALLOY.  
 EMI SHIELD: PHOSPHOR BRONZE.  
 COVER: PHOSPHOR BRONZE.  
 SPRING: STAINLESS STEEL.
- 2 DUST DOOR: .00010[0.00254] MIN NICKEL OVER .000200[0.00508] MIN COPPER.  
 EMI SHIELDS: .000050[0.00127] MIN NICKEL.  
 FRAME: .000150[0.00381] MIN TIN OVER .000100[0.00254] MIN NICKEL  
 OVER .000200[0.0051] MIN COPPER.  
 COVER: .000016[0.00040] MIN PRE-PLATED TIN
- 3 LOWER EDGE OF PANEL OPENING IS .006±.003[0.15±0.08] BELOW TOP OF PCB.
- 4 THIS DIMENSION ESTABLISHED BY CUSTOMER.



MATERIAL	FINISH	WEIGHT	SCALE	SHEET	OF	REV
METAL DOOR	.100±.006[2.54±0.15]	5390317-4	2:1	1	1	A
DUST DOOR OR CONDUCTIVE PLUG	CUSTOMER PCB THICKNESS	PART NUMBER				

DIMENSIONS:	TOLERANCES UNLESS OTHERWISE SPECIFIED:	DRAWN BY:	DATE:	PRODUCT SPEC:	NAME:
INCHES[mm]	0 PLC ± 1 PLC ± 2 PLC ± 3 PLC ±.0050(.13) 4 PLC ± ANGLES ±	MCMASTER	11JULY05	-	tyco AMP Incorporated Harrisburg, PA 17105-3608
		S. SHUEY	11JULY05	APPLICATION SPEC	GUIDE ASSEMBLY, DIE-CAST, LONG COVER, MEDIA CONVERTER MODULE, CHAMP BLINDMATE
				SIZE	CAGE CODE
				A100779	C=5390317