



Chipsmall Limited consists of a professional team with an average of over 10 year of expertise in the distribution of electronic components. Based in Hongkong, we have already established firm and mutual-benefit business relationships with customers from,Europe,America and south Asia,supplying obsolete and hard-to-find components to meet their specific needs.

With the principle of “Quality Parts,Customers Priority,Honest Operation,and Considerate Service”,our business mainly focus on the distribution of electronic components. Line cards we deal with include Microchip,ALPS,ROHM,Xilinx,Pulse,ON,Everlight and Freescale. Main products comprise IC,Modules,Potentiometer,IC Socket,Relay,Connector.Our parts cover such applications as commercial,industrial, and automotives areas.

We are looking forward to setting up business relationship with you and hope to provide you with the best service and solution. Let us make a better world for our industry!



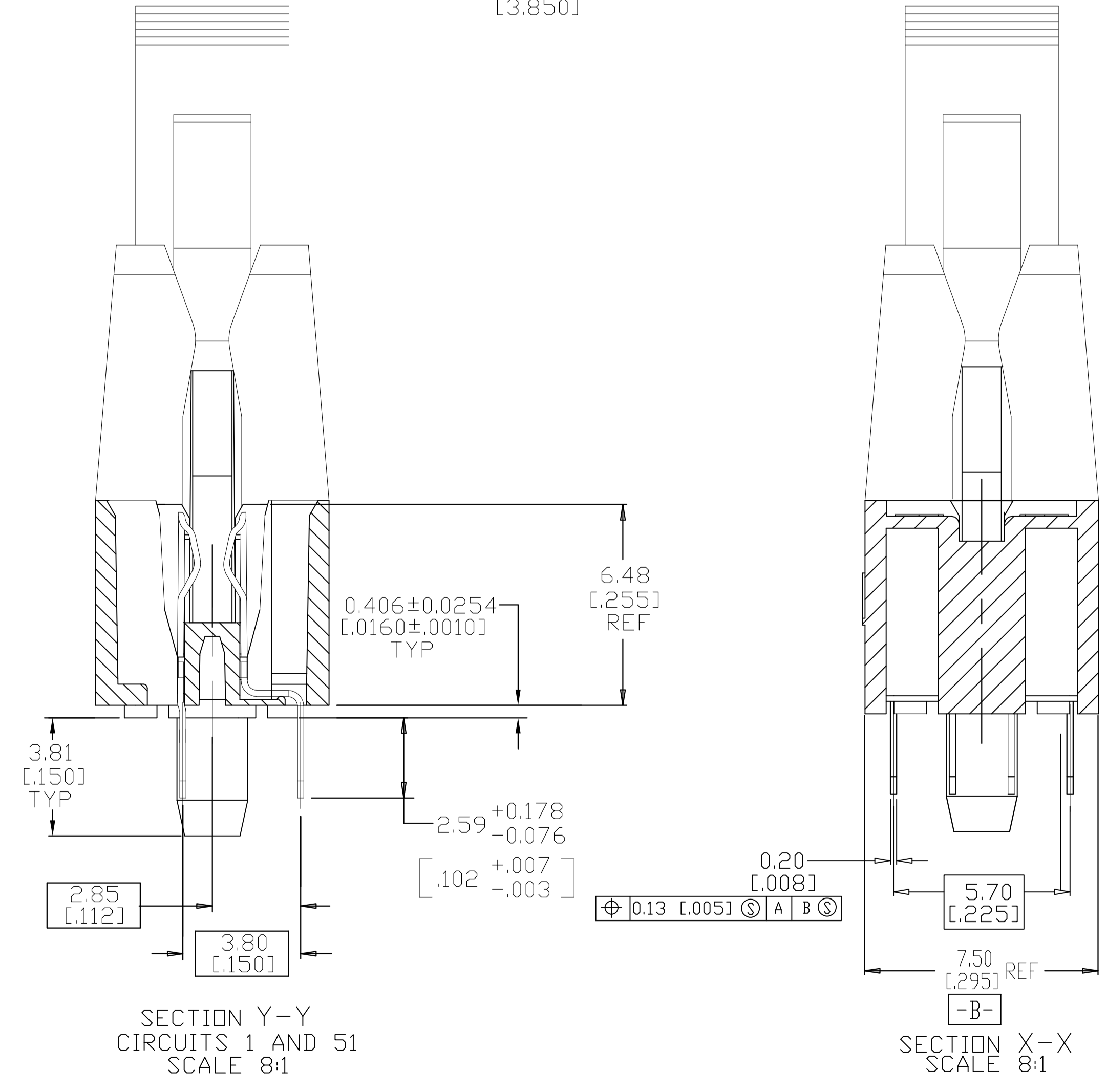
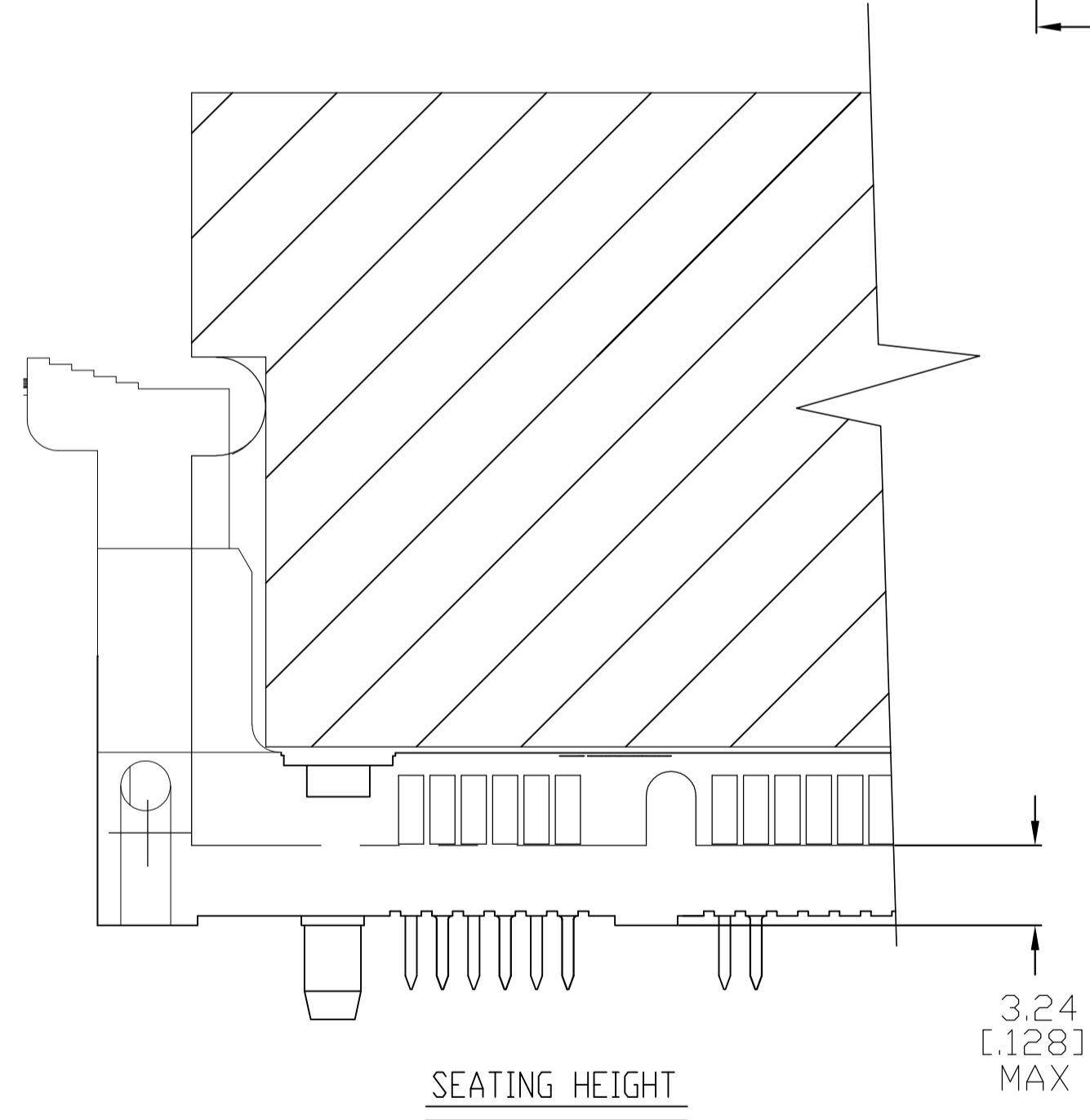
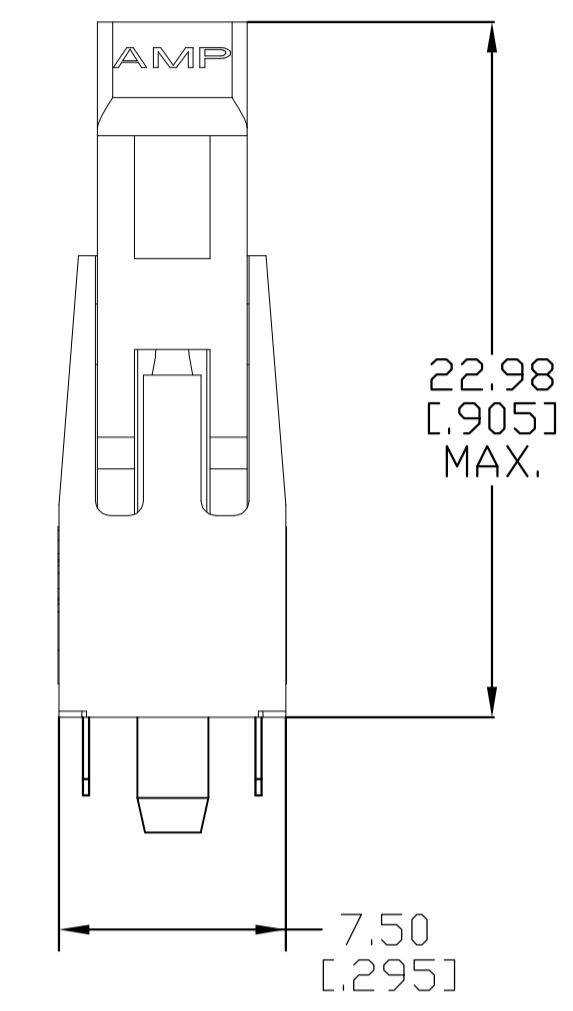
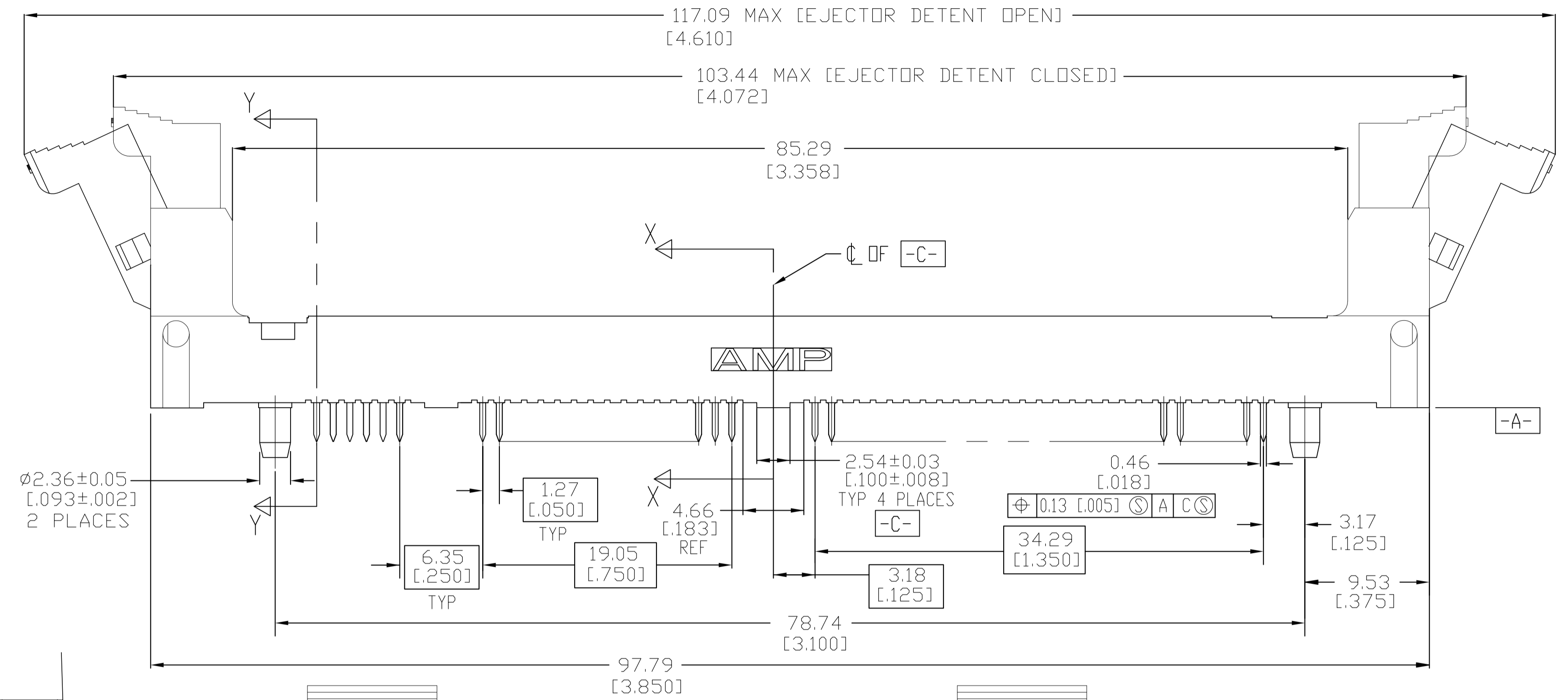
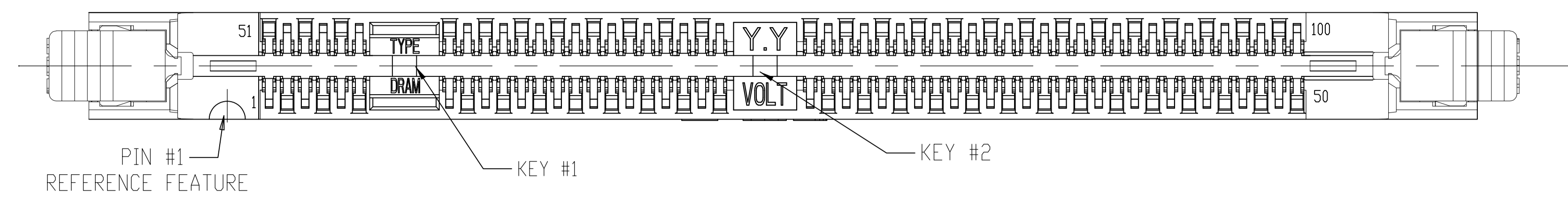
Contact us

Tel: +86-755-8981 8866 Fax: +86-755-8427 6832

Email & Skype: info@chipsmall.com Web: www.chipsmall.com

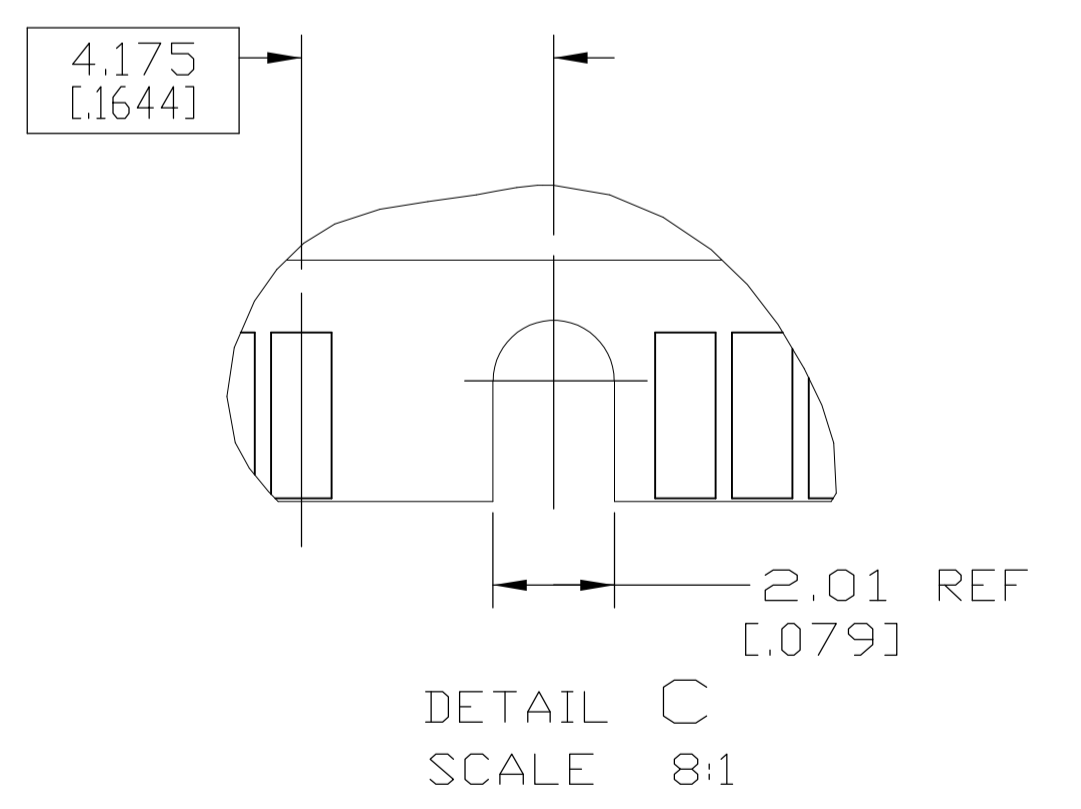
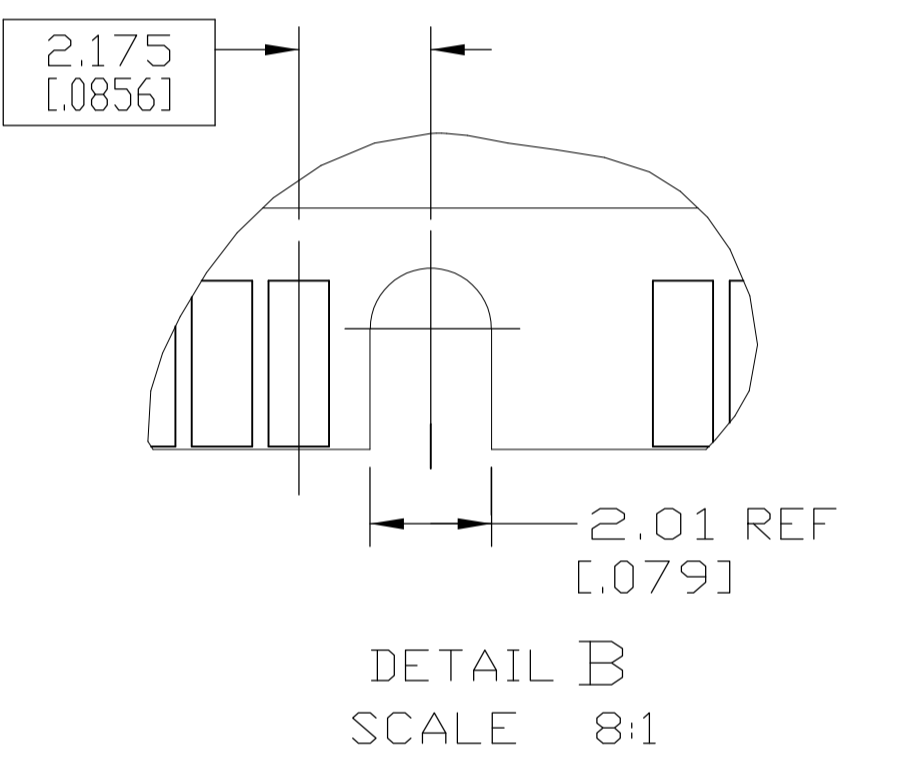
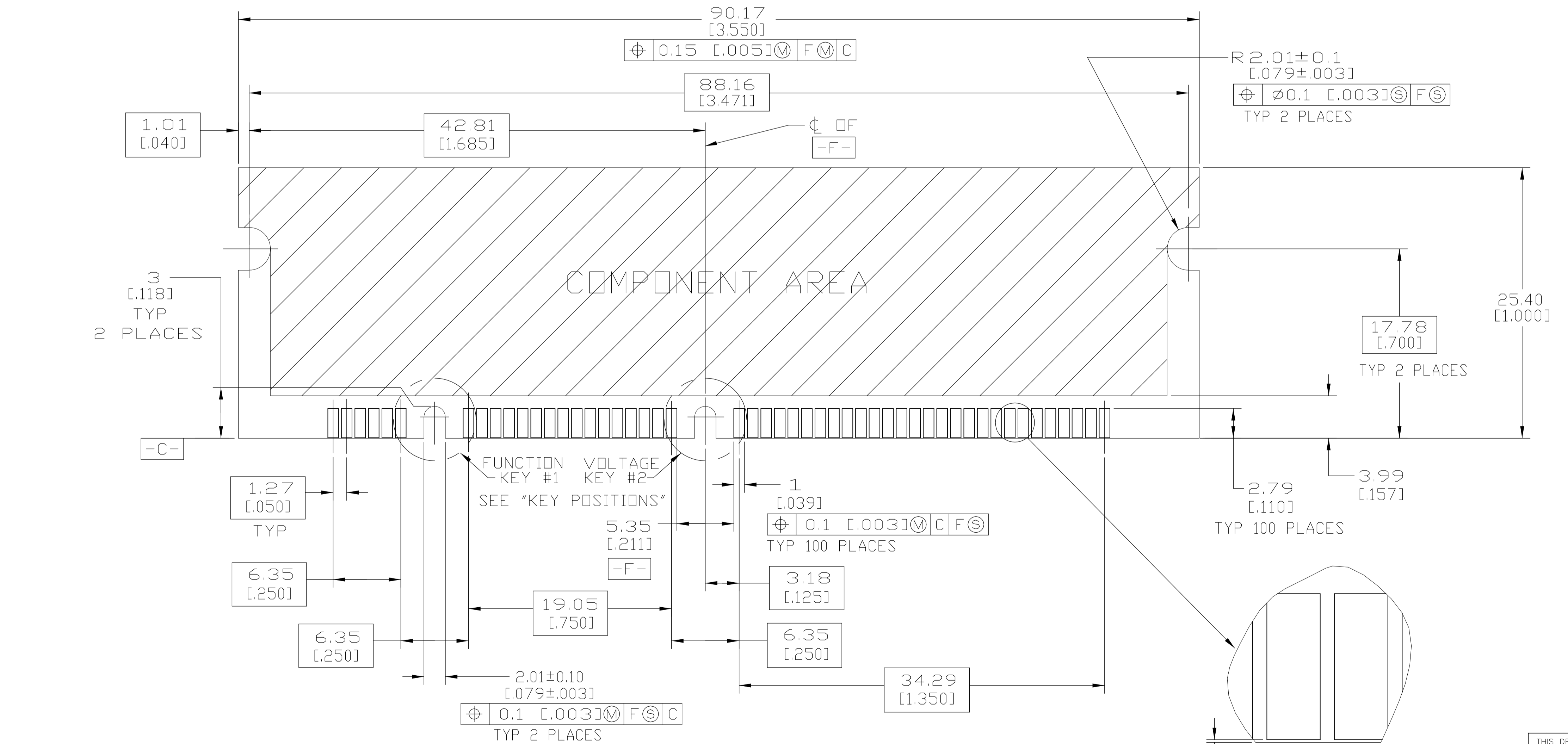
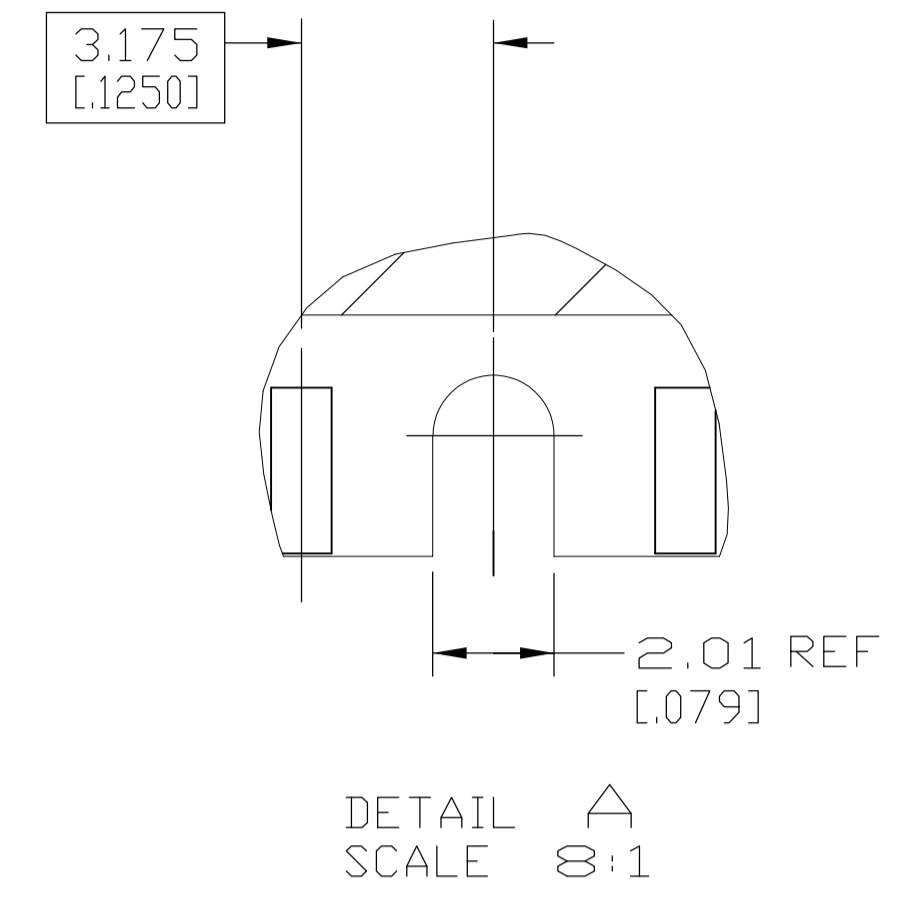
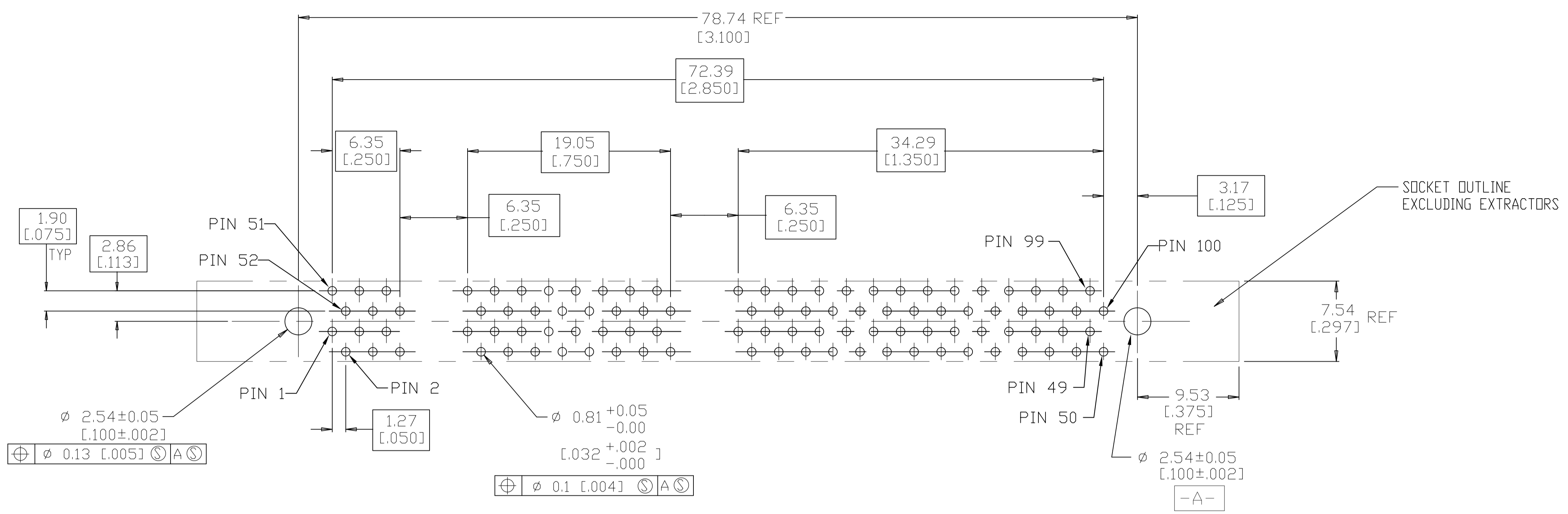
Address: A1208, Overseas Decoration Building, #122 Zhenhua RD., Futian, Shenzhen, China





- 1 MATERIAL
 HOUSING: GLASS FILLED HIGH TEMPERATURE NYLON, COLOR: BLACK.
 EXTRACTORS: GLASS FILLED HIGH TEMPERATURE NYLON, COLOR: NATURAL (OFF-WHITE).
 CONTACT: PHOS. BRONZE, C51100, TEMPER H06.
- 2 FINISH
 CONTACT:
 NICKEL PLATE ALL OVER 0.00127mm - 0.0019mm [0.00050 IN - 0.00075 IN] THICK.
 PER AMP SPEC 112-25-2.
 GOLD PLATE IN INTERFACE AREA 0.00038mm [0.00015 IN] THICK.
 PER AMP SPEC 112-162-5.
 MATTE TIN PLATE IN SOLDER TAIL AREA 0.00381mm - 0.00635mm [0.00150 IN - 0.00250 IN] THICK.
 PER AMP SPEC 112-65-1.
- 3 OBSOLETE PARTS: OBSOLETE CIS STREAMLINING PER D.RENAUD/D.SINISI

OBsolete	DETAIL-C	DETAIL-C	NON-BUFFERED DRAM, 2.5 VOLT, PRE-PLATED CONTACTS	5390323-3
OBsolete	DETAIL-C	DETAIL-A	NON-BUFFERED DRAM, 3.3 VOLT, PRE-PLATED CONTACTS	5390323-1
	FUNCTION KEY #1	VOLTAGE KEY #2	DESCRIPTION	PART NUMBER
THIS DRAWING IS A CONTROLLED DOCUMENT. DIM: S.WAITMAN 8DEC04 Tyco Electronics Corporation Tyco Electronics Corporation Shanghai, 200233 CHK: M.YFOMANS 8DEC04 APP'D: M.YFOMANS 8DEC04 NAME PRODUCT SPEC: SOCKET ASSEMBLY, DIMM2P APPLICATION SPEC: LOW INSERTION FORCE, 100 POSN LEAD-FREE SIZE: A1 CAGE CODE: 00779 DRAWING NO: 5390323 RESTRICTED TO: - WEIGHT: - SCALE: 1:1 SHEET 1 OF 2 REV: A2 CUSTOMER DRAWING				



"KEY POSITIONS"

RECOMMENDED MODULE LAYOUT
 SEE JEDEC SPEC. MD-161 FOR COMPLETE MODULE DETAILS,
 1.27±0.10[0.050±0.004] THICK ACROSS PADS



THIS DRAWING IS A CONTROLLED DOCUMENT.		DIN S. WAITMAN	BDEC04	Tyco Electronics Corporation Shanghai, 200233
DIMENSIONS: mm [INCHES]		CHK: M. YFOMANS	BDEC04	
TOLERANCES UNLESS OTHERWISE SPECIFIED:		NAME: M. YFOMANS		PRODUCT SPEC: SOCKET ASSEMBLY, DIMM2P
0. PLC ± -	1. PLC ± -	APPLICATION SPEC: LOW INSERTION FORCE, 100 POSN LEAD-FREE		RESTRICTED TO: -
2. PLC ± ± 0.13 [0.005]	3. PLC ± -	SIZE: A1		CAGE CODE: 00779
4. PLC ± -	ANGLES ± -	DRAWING NO: 5390323		REV: A2
MATERIAL: -	FINISH: -	WEIGHT: -		CUSTOMER DRAWING: -
		SCALE: 1:1		SHEET: 2 OF 2